

Harvia electric sauna heaters

Electric sauna heaters • Control units • Additional sauna products • Infrared radiator • Products for steam rooms



HARVIA

Natural well-being.

Table of Contents

3	Natural well-being
4	Selecting the heater
5	Important information on sauna stones
6	Heaters for small saunas
7	Compact & Vega Compact
8	Delta, Delta EE & Delta Combi
9	Family sauna heaters
10	Globe – NOVELTY!
12	Kivi
13	Cilindro, Cilindro H & Cilindro F
14	Classic Electro & Classic Quatro
15	Sauna Steamer
16	Fuga
17	Figaro
18	Moderna
19	Sound
20	Vega
21	Topclass & Topclass Combi
22	Symphony
23	Forte
24	Heaters for large and commercial saunas
25	Elegance
26	Senator & Senator Combi
27	Club, Club Combi & Profi
28	Legend
29	Hidden Heater
30	Control units
31	Additional sauna products
32	Infrared radiators
33	Products for steam rooms



NOVELTY!

Harvia Globe sauna heater offers you a pleasant bathing experience, not only through heat and steam, but also through its unique design and excellent usability. Read more on pages 10–11.

The instructions for installation and use of all the products can be found on website www.harviasauna.com/manuals.



Harvia products are designed and manufactured with the environment in mind. Sustainable choices are not only good for the environment, they are also good for people. The Harvia Cares symbol demonstrates that Harvia is committed to sustainable development.

The material of this brochure has also been selected with respect for nature. It has been pressed on Maxi Satin paper in which manufacture has been used wood from PEFC Certified forests.



Natural well-being.

Harvia is more than just a sauna. It is an overall experience wherein you can enjoy the natural well-being that wells from Finnish sauna traditions and the presence of nature. In a Harvia sauna the essential elements of nature – wood, stone and water – combine to create a relaxing oasis of well-being.

The soft warmth of sauna offers you several health benefits: improved blood circulation and immunity, relief from muscle pain and headache, stress relief, and physical and mental relaxation.

Total sauna enjoyment refers to a holistic experience crowned by even and soft heat. The heater is the heart of your sauna – the source of a relaxing sauna bath. Harvia's popular heaters have always been pioneers – elegant, durable and economic. All Harvia heaters are also equipped with an exceptionally efficient and controlled air-circulation system that warms up the heater and the sauna quickly.

We value nature and its diversity. Therefore we want to take care of its purity by developing as environmentally friendly products as possible. Harvia's versatile range of electric heaters makes it easy to choose a heater that suits your needs.

HARVIA Natural well-being.



HARVIA

Selecting the heater

The volume and structures of the sauna affect the selection of heater. An average of 1 kW of heater power is required for each cubic metre of sauna volume. The power requirement increases if there are window surfaces or heat-storing surfaces such as brick, concrete or non-insulated log in the sauna.

When building or renovating your sauna room, remember that the walls and particularly the ceiling require good thermal

insulation. One square metre of stone, glass or similar non-insulated surface increases the heater power requirement as much as if the sauna room cubage were increased by 1.2 cubic metres. If the interior wall of the sauna room is non-insulated log, multiply the cubic volume of sauna by 1.5. You should also pay attention to sauna room ventilation. Efficient air circulation ensures that the bathers can enjoy clean air that is easy to breathe.

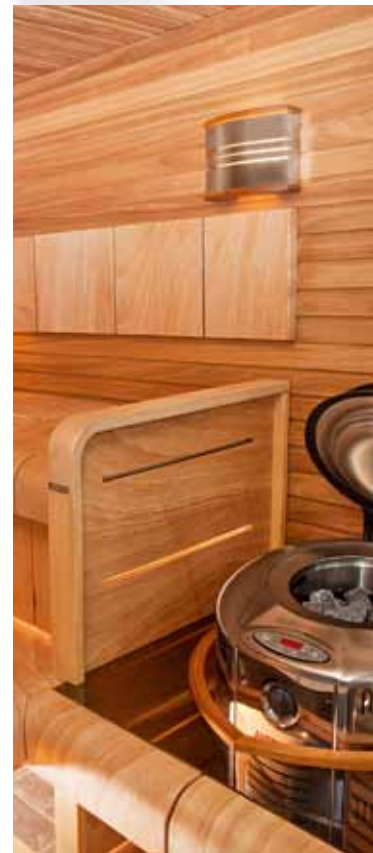
Original Harvia sauna stones

Harvia sauna stones are selected according to old traditions and convey a genuine sauna atmosphere. Harvia sauna stones provide good and soft heat. Split-face sauna stones are the only correct stones for electric heaters and woodburning stoves, because they can store lots of heat and the water evaporates efficiently from the wide surface of fracture. Angular split-face stones also allow for loose placement of the stones, which is the most important requirement particularly in electric heaters in order to make it possible for the heat to be conveyed to the sauna room between the hot stones and heating elements. Good air circulation in the stone space makes the electric heating elements last for as long as possible. Light (ceramic), soft (soapstone), and smooth (rounded) sauna stones do not produce the desired results and they may cause problems in electric heaters in particular. Therefore, they must not be used.

Harvia sauna stones are available in two sizes. Stones in the range of 10 to 15 cm are suitable for the Legend electric heater, heat-storing heaters such as the Symphony and Forte heaters and for all woodburning stoves. Smaller sauna stones in the range of 5 to 10 cm are suitable for all other electric heaters.

AC3020, 20 kg
Stone size Ø 10–15 cm

AC3000, 20 kg
Stone size Ø 5–10 cm





Harvia Sirius bathroom sauna equipped with Vega Compact heater.

Harvia heaters for small saunas

Relax in a sauna surrounded by wonderful silence, the heat softly caressing your skin.

Also a small sauna can be good. You need not sacrifice quality and functionality even if space is scarce. You can find an elegant and user-friendly heater of a suitable size in Harvia's range of electric heaters. Design your sauna to be your own oasis of good feeling.



Compact

Even and soft heat.

Harvia Compact is a high-quality electric heater made of stainless steel. It is a safe and user-friendly heater designed for small saunas intended for 1 to 2 people. The heater is equipped with a built-in illuminated control panel on one side, improving user comfort. The heater is supplied complete with a water collection tray at the bottom and a wooden heater guard that gives the heater an individual look. The symmetrical design of the Compact heater makes it easy to place and install in the sauna.



Vega Compact

Powerful package for a small sauna.

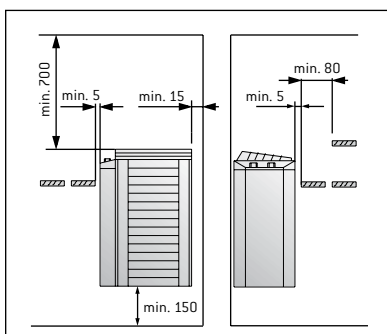
The Compact JM20, JM25 and JM30 models are equipped with a built-in control panel. The models JM20E, JM25E and JM30E are controlled by a separate control unit (for example Griffin or C90).

Harvia Vega Compact is a powerful package for a small sauna. Vega Compact is easy to use, because the operating switches are placed ergonomically in the upper part of the heater. The heater can be mounted very low on the sauna wall so it provides heat for the lower benches as well.

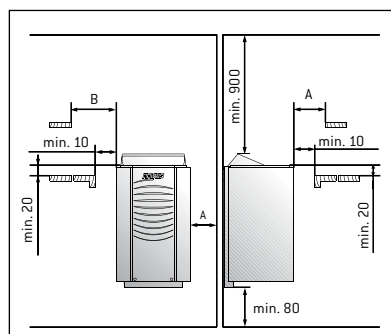
Vega Compact is easy to install. Just mount the rack to the wall, lift the heater to the mounting rack and fix it on to it with one screw. The heater is made of stainless steel.

Vega Compact is available in models BC23 and BC35 which are equipped with a built-in control unit. Models BC23E and BC35E are controlled by a separate control unit (for example Griffin or C90).

Compact, safety distances (mm)



Vega Compact, safety distances (mm)



Technical data

Heater model	Power kW	Recommended sauna room size min.-max. m ³	Sauna room height min. mm	Stone capacity max. kg	Safety distances				A min. mm	B min. mm
					400 V 2N~		230 V 1N~			
					Connecting cables mm ²	Fuse A	Connecting cables mm ²	Fuse A		
JM20/JM20E	2,0	1,2–2	1500	10	4 x 1,5	2 x 10	3 x 1,5	1 x 10	-	-
JM25/JM25E	2,5	1,5–2,5	1500	10	4 x 1,5	2 x 10	3 x 2,5	1 x 13	-	-
JM30/JM30E	3,0	2–4	1500	10	4 x 1,5	2 x 10	3 x 2,5	1 x 16	-	-
BC23/BC23E	2,3	1,3–2,5	1700	12	4 x 1,5	2 x 10	3 x 1,5	1 x 10	10	20
BC35/BC35E	3,5	2–4,5	1700	12	4 x 1,5	2 x 10	3 x 2,5	1 x 16	20	30

Compact, heater dimensions: width 300/245 (E) mm, depth 220 mm and height 540 mm, weight 9 kg.

Vega Compact, heater dimensions: width 280 mm, depth 295/270 (E) mm and height 505 mm, weight 7 kg.

Delta



Delta EE



Delta Combi



A combined
electric heater
and
steamer

Delta, Delta EE and Delta Combi

Small on the outside, big on the inside.

Harvia Delta is a powerful package for a small sauna. It is a compact and efficient heater with a large stone space. The stainless outer casing of the heater gives your sauna a modern look. The triangular design allows Delta to be installed in a corner, improving the efficiency of space utilisation in the sauna. The heater is easy to mount on the separate mounting rack included in the delivery.

The Delta EE model is equipped with an illuminated digital control panel which

makes the heater easy to use. The operating time can be chosen between 2 and 8 hours, the factory setting is four hours. The pre-setting time range is between 0 and 18 hours. The Delta range of heaters also includes model with steamer [Combi]. The water tank holds 2 litres.

Delta models D23 and D36 are equipped with a built-in control unit. The models D23E and D36E are controlled by a separate control unit (for example Griffin or C90).

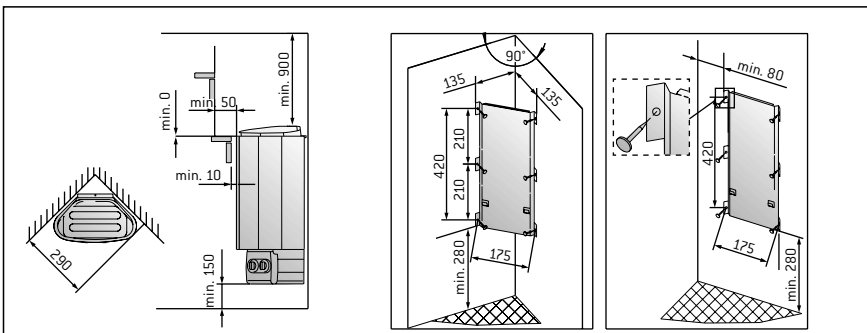
Delta EE models D23EE, D29EE and D36EE are controlled by separate splash-proof control panel which can be located inside or outside the sauna room. The length of the data cable is 3 m (with 5 m or 10 m as options).



The Delta Combi model D29SE is controlled by a separate Griffin Combi or C105S Logix control unit.

Safety distances (mm)

Mounting rack (mm)



Technical data

Heater model	Power kW	Recommended sauna room size min.-max. m ³	Sauna room height min. mm	Stone capacity max. kg	400 V 2N-		230 V 1N-	
					Connecting cables mm ²	Fuse A	Connecting cables mm ²	Fuse A
D23/D23E	2,3	1,3-2,5	1700	11	4 x 1,5	2 x 10	3 x 1,5	1 x 10
D36/D36E	3,6	2-4,5	1700	11	4 x 1,5	2 x 10	3 x 2,5	1 x 16
D23EE	2,3	1,3-2,5	1700	11	4 x 1,5	2 x 10	3 x 1,5	1 x 10
D29EE	2,9	2-4	1700	11	4 x 1,5	2 x 10	3 x 2,5	1 x 13
D36EE	3,6	2-4,5	1700	11	4 x 1,5	2 x 10	3 x 2,5	1 x 16
D29SE	2,9	1,5-4	1700	11	-	-	3 x 2,5	1 x 13 (1 x 16)

Heater dimensions: width 340 mm, depth 200 mm and height 635 mm, weight 8 kg.



Harvia family sauna heaters

Enjoy a sauna bath with your family – or dedicate relaxing sauna enjoyment to yourself.

Design your sauna to suit the needs of your family and choose a suitable Harvia heater as its heart. The heaters in the Harvia family sauna range are of known Harvia quality: elegant, easy to use, durable and economic.



Novelty!



Globe

A sauna heater of endless possibilities.

Harvia Globe sauna heater offers you a pleasant bathing experience, not only through heat and steam, but also through its unique design and excellent usability. Cast out your preconceptions about the position of the heater in a sauna! The Harvia Globe can be positioned on a wall, on a stand or even hung from the ceiling. This freedom of choice also lets your imagination run wild when planning the bench layout for your sauna.

Harvia Globe is also an example of environmentally friendly design: The finest raw material – sturdy stainless steel – is used by producing as little waste as possible and no harmful chemicals are used in its surface finish. A completely

new way of thinking is also apparent in the design of the heater, which is made out of precisely laser-cut steel arches and rings. The amount of sauna stones is carefully optimized: The heater heats up quickly without sacrificing the softness of the steam.



Harvia Globe heaters GL70 (Ø 430 mm) and GL110 (Ø 500 mm) are controlled with a touch-screen control panel. The user-friendly touch-screen control panel with a highly accurate temperature adjustment has been designed for your convenience according to Harvia's design principles. The simple and stylish splash-proof control panel

can be placed inside or outside the sauna room. The heater includes a compact power unit, which provides electricity to the heating elements. The heater is connected to the power unit via a cable running inside an armored tube. The heater's temperature sensor is installed in the ceiling of the sauna room and connected to the power unit via a cable.

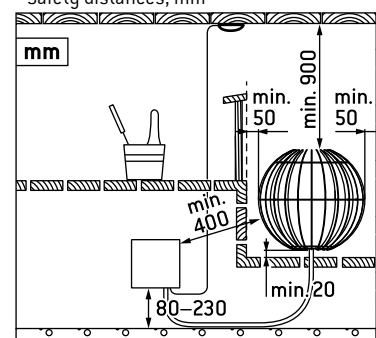
Harvia Globe is also available as E models GL70E and GL110E, which are controlled with a separate control unit (for example Griffin or C150). The E models include a connection box for electrical input from the control unit. The heater is connected to the connection box via a cable running inside an armored tube.

Technical data

Heater modell	Power kW	Recommended sauna room size min.-max. m ³	Sauna room height min. mm	Stone capacity ca. kg	Diameter mm	400 V 3N-Connecting cables mm ²	Fuse A
GL70/GL70E	6,9	6–10	1900	50	430	5 x 1,5	3 x 10
GL110/GL110E	10,5	9–15	1900	80	500	5 x 2,5	3 x 16

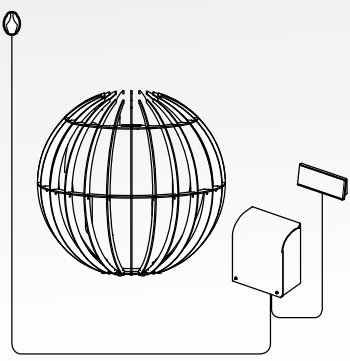








GL70, heater dimensions: width 430 mm, depth 430 mm, height 395 mm, weight 10 kg
 GL110, heater dimensions: width 500 mm, depth 500 mm, height 475 mm, weight 14 kg

Safety distances, mm





Choosing Globe heater, fastening kit and accessories

Heater	Fastening kit	Safety railing <small>Optional</small>	Bench protection <small>Optional</small>
 <p data-bbox="159 1332 446 1400">Harvia Globe GL70 (6,9 kW) ø 430 mm</p> <p data-bbox="151 1422 462 1489">Harvia Globe GL110 (10,5 kW) ø 500 mm</p>	 <p data-bbox="574 1019 798 1086">Ceiling suspension kit HGL4</p>	 <p data-bbox="901 1019 1125 1108">Safety railing HGL6 (Globe 6,9 kW) HGL7 (Globe 10,5 kW)</p>	 <p data-bbox="1220 1019 1452 1086">Bench protection glass HGL8</p>
	 <p data-bbox="574 1254 678 1332">Stand telescopic HGL3</p> <p data-bbox="702 1254 766 1332">Stand low HGL5</p>	 <p data-bbox="901 1254 1125 1332">Safety railing HGL6 (Globe 6,9 kW) HGL7 (Globe 10,5 kW)</p>	 <p data-bbox="1220 1254 1452 1310">Bench protection glass HGL8</p>
	 <p data-bbox="574 1467 798 1556">Wall mounting rack HGL1 (Globe 6,9 kW) HGL2 (Globe 10,5 kW)</p>	 <p data-bbox="901 1467 1125 1556">Safety railing HGL6 (Globe 6,9 kW) HGL7 (Globe 10,5 kW)</p>	

Installation options:

Wall mounting rack HGL1/HGL2



Stand HGL3/HGL5



Ceiling suspension kit HGL4



Accessories:

Safety railing HGL6/HGL7



Bench protection glass HGL8





Kivi

Vitality from primitive strength.

Registered design.

Harvia Kivi sauna heater offers a luxuriously strong sauna experience. You can adjust the nature of the heat from soft to sharp by throwing water either to the side of the heater or straight on top of the stone pillar. The heater offers an enjoyably humid sauna bath even at a moderately low temperature and the warmth lingers long between the stones.

Harvia Kivi electric heater produces a traditional soft sauna bath in a modern way. This floor mounted heater model has nearly 100 kg of sauna stones, which is proved to be the correct amount to of-

fer a vigorous heat within a reasonable time. The stones are located in a two-part, triangular steel frame. This stylish and distinguished design makes room for the natural strengths of the stone.

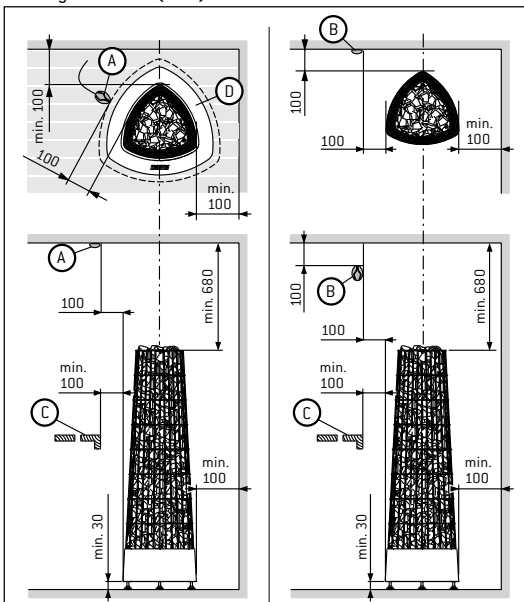
Harvia Kivi can be located near the benches for its surface temperature is relatively low. You can also embed the heater to the lower bench with the help of an embedding flange made of stainless steel.

Harvia Kivi heater (models PI70 and PI90) is equipped with a separate digital control panel. This makes heater use extremely easy and, for example, allows you to adjust the temperature accurately – even by just one degree. Control panel can be located in or outside the sauna with a data cable. The length of the data cable is 3 m (with 5 m or 10 m as options).

Harvia Kivi models PI70E and PI90E are controlled with a separate Harvia control unit (for example Griffin or C150).



Safety distances (mm)



- A. Sensor (installed on ceiling)
- B. Sensor (installed on wall)
- C. Bench or safety railing
- D. Embedding flange HPI1 (accessory). See installation instructions of the flange before making a hole in the bench.



"Kivi" is a Finnish word and means "stone".

Technical data

Heater model	Power kW	Recommended sauna room size min.-max. m ³	Sauna room height min. mm	Stone capacity ca. kg	400 V 3N~		230 V 1N~	
					Connecting cables mm ²	Fuse A	Connecting cables mm ²	Fuse A
PI70/PI70E	6,9	6–10	1900	100	5 x 1,5	3 x 10	3 x 6	1 x 35
PI90/PI90E	9,0	8–14	1900	100	5 x 2,5	3 x 16	3 x 10	1 x 40

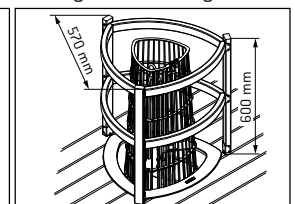
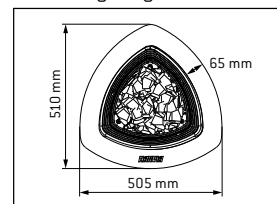
Heater dimensions: width 370 mm, depth 370 mm and height 1200 mm, weight 15 kg.

Accessories:

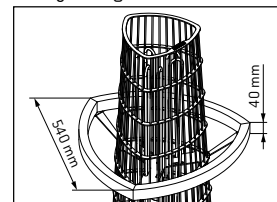
Embedding flange HPI1

Heater guard SASPI231

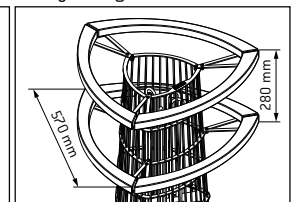
Heater guard with led lights SASPI230



Safety railing HPI2



Safety railing HPI4



Cilindro



Cilindro H



Cilindro F



Cilindro, Cilindro H and Cilindro F

Budget heater with massive stone amount.

Harvia Cilindro electric heater's massive sauna stone amount provides enjoyable sauna bath. You can choose from three different Cilindro heater models. The quality-price ratio of this floor mounted heater is excellent.

Cilindro has an apertured outer casing made of stainless steel. You can adjust the nature of the heat from soft to sharp by throwing water either to the side of the heater or straight on top of the stone pillar.

Cilindro H has a partially apertured outer casing in the front, which offers the sau-

na bather the benefits of a large stone amount, but also enables the heater to be located in smaller space. **Cilindro F** has a solid outer casing. The casing decreases the safety distance requirements, and therefore the heater's space requirement is small and benches can be located near to it. This gives more freedom for creativity in sauna design. Cilindro F offers sharper sauna bath compared to the softer sauna bath provided by the other two Cilindro models.

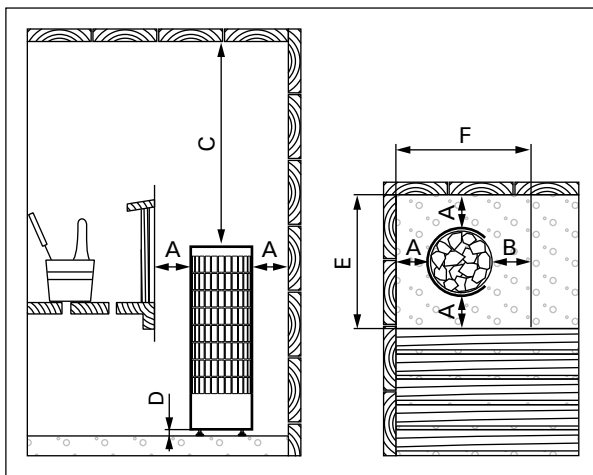
In Cilindro H and Cilindro F the stone space is made of stainless steel and

outer casing is made of black painted, zinked steel.

The heaters are equipped with a built-in control unit and the operating switches are placed down on the heater's front side.

The Cilindro models PC70E and PC90E are controlled by a separate control unit (for example Griffin or C150). The E-model heater can be embedded into the lower bench with the help of an embedding flange (PC1) made of stainless steel.

Safety distances (mm)



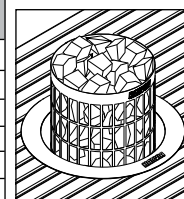
Technical data

Heater model	Power kW	Recommended sauna room size min.-max. m ³	Sauna room height min. mm	Stone capacity ca. kg	400 V 3N-		230 V 1N-	
					Connecting cables mm ²	Fuse A	Connecting cables mm ²	Fuse A
PC70/H/F	6,8	6-10	1900	80	5 x 1,5	3 x 10	3 x 6	1 x 35
PC70E	6,8	6-10	1900	90	5 x 1,5	3 x 10	3 x 6	1 x 35
PC90/H/F	9,0	8-14	1900, F: 2100	80	5 x 2,5	3 x 16	3 x 10	1 x 40
PC90E	9,0	8-14	1900	90	5 x 2,5	3 x 16	3 x 10	1 x 40

Safety distances

Heater model	A min. mm	B min. mm	C min. mm	D min. mm		E min. mm	F min. mm
				3 N-	1 N-		
PC70/PC70E	100	100	950	30	50	520	520
PC70H	30	100	950	30	50	420	470
PC70F	30	30	950	30	50	420	420
PC90/PC90E	100	100	950	30	50	520	520
PC90H	30	100	950	30	50	420	470
PC90F	30	30	1150	30	50	420	420

Embedding flange PC1 (accessory)



Cilindro, heater dimensions: width 320 mm, depth 320 mm and height 930 mm, weight 10 kg.

Cilindro H, heater dimensions: width 360 mm, depth 340 mm and height 930 mm, weight 17 kg.

Cilindro F, heater dimensions: width 360 mm, depth 360 mm and height 930 mm, weight 17 kg.



Classic Electro

Enjoy the real sauna bath.

The extensive stone surface of the Harvia Classic Electro electric heater provides the real sauna bath experience. The sides, lower part, and the bars in the stone space are made of stainless steel. The front surface is made of black painted steel.

The operating switches can be installed on the left or right side, or in the front, as shown in the figure. Classic Electro is available in models CS60 and CS80



Classic Quatro

A dashing column heater with quality sauna bath.

which are equipped with a built-in control unit.

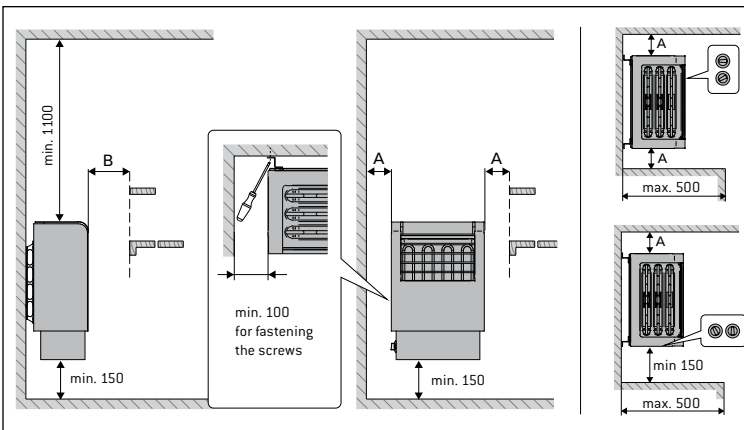
The massive sauna stone amount of Harvia Classic Quatro provides an enjoyable sauna bath. The quality-price ratio of this floor mounted heater is excellent.

Classic Quatro has an apertured outer casing made of black painted, zinked steel. You can adjust the nature of the

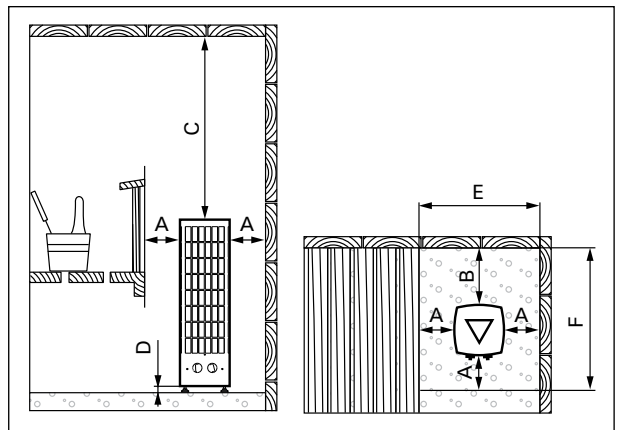
heat from soft to sharp by throwing water either to the side of the heater or straight on top of the stone pillar.

Classic Quatro models QR70 and QR90 are equipped with a built-in control unit. The operating switches are placed down on the heater's front side.

Classic Electro, safety distances (mm)



Classic Quatro, safety distances (mm)



Technical data

Heater model	Power kW	Recommended sauna room size min.-max. m ³	Sauna room height min. mm	Stone capacity ca. kg	400 V 3N~		230 V 1N~		A min. mm	B min. mm	Safety distances					
					Connecting cables mm ²	Fuse A	Connecting cables mm ²	Fuse A			C min. mm	D min. mm		E min. mm	F min. mm	
											3 N~	1 N~				
CS60	6,0	5-8	1900	27	5 x 1,5	3 x 10	3 x 4	1 x 35	50 (*)	140						
CS80	8,0	7-12	1900	27	5 x 2,5	3 x 16	3 x 6	1 x 35	100	200						
QR70	6,8	6-10	1900	80	5 x 1,5	3 x 10	3 x 6	1 x 35	100	100	950	30	50	500	500	
QR90	9,0	8-14	1900	80	5 x 2,5	3 x 16	3 x 10	1 x 40	120	140	950	30	50	540	560	

Classic Electro, heater dimensions: width 410 mm, depth 270 mm and height 600 mm, weight 16 kg.

Classic Quatro, heater dimensions: width 300 mm, depth 300 mm and height 930 mm, weight 10 kg.



Sauna Steamer

More humidity to your sauna.



Harvia Sauna Steamer is an independent additional unit for a normal electric heater, creating a softer and more humid sauna bath.

It is safe and easy to use the Sauna Steamer. Fill the steamer's water tank

and turn the steamer on. It takes about 10 minutes for the steam to start to form. If you wish to have high humidity in the sauna atmosphere, the temperature must be kept low. The steamer can also be fitted to an existing

Steamer model SS20. Automatic filling of the water tank comes as standard with the model SS20A. For automatic models, water supply with shut-off valve is needed.

Technical data

Model	Power kW	Water tank capacity l	Vaporisation efficiency l/h	230 V 1N~	
				Connecting cables mm ²	Fuse A
SS20/SS20A	2,0	5,5	ca. 2,5	3 x 1,5	1 x 10

Dimensions: width 340 mm, depth 95 mm and height 680 mm, weight 6 kg.



Fuga

Uniquely relaxing sauna experience.

The Harvia Fuga heater with soapstone offers you a uniquely relaxing sauna experience! Fuga produces a humid heat that spreads evenly and lasts just as long as you want. Having a large area of stone with gentle steam generated upwards, Fuga warms you and your family sauna evenly from head to toe, from upper to lower bench. The even distribution of heat gives everybody in the sauna an enjoyable bath.

Harvia Fuga combines modern design, unique soapstone surface pattern,

and durable quality. Top-quality heat is guaranteed by the patented SteamFlow system that directs the water behind the stones and then back on the front surface again, turning it into a beautiful steam. Directing the water also to the back surface where the soapstone is at its hottest enables a truly pleasant humid heat.

Fuga is more than a conventional heater with soapstone. The high-quality, stainless steel design heater comes with an easy-to-use digital control panel and

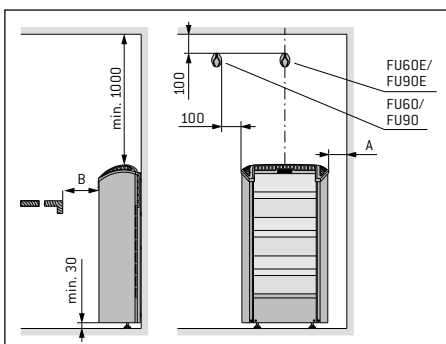
lights which illuminate the rising steam, creating a unique atmosphere.

The Fuga models FU60 and FU90 are equipped with a separate splash-proof control panel that can be placed inside or outside the sauna room. The length of the data cable is 3 m (with 5 m or 10 m as options).



Models FU60E and FU90E are controlled with a separate Harvia control unit (for example Griffin or C150).

Safety distances (mm)



The SteamFlow[®] evaporation system guarantees an enjoyably humid heat.

Technical data

Safety distances

Heater model	Power kW	Recommended sauna room size min.-max. m ³	Sauna room height min. mm	Soapstone kg	400 V 3N -		230 V 1N -		A min. mm	B min. mm
					Connecting cables mm ²	Fuse A	Connecting cables mm ²	Fuse A		
FU60/FU60E	6,0	5-8	1900	30	5 x 1,5	3 x 10	3 x 6	1 x 35	50	230
FU90/FU90E	9,0	8-14	1900	30	5 x 2,5	3 x 16	3 x 10	1 x 40	70	290

Heater dimensions: width 480 mm, depth 235 mm and height 900 mm, weight 20 kg.



Figaro

Captivating sauna bath experience.



Registered design.

Harvia Figaro brings something completely new into a family sauna. Heater's design combines traditional materials, steel and stone in a modern way. The heater's big stone amount, even 90 kg, enables comfortable, moist sauna bath. The high stone space is open from the

bottom to the top which makes throwing of water easy and guarantees even and pleasant heat in the sauna, also on the lower benches. Figaro is a floor-mounted heater that props to the wall from the back. The operating switches are placed down on the heater's front side.

The outer casing of the heater is painted shiny black. The steel grid covering the stone space is made of stainless steel. The Figaro models FG70 and FG90 are equipped with a built-in control unit. The models FG70E and FG90E are controlled by a separate control unit (for example Griffin or C150).

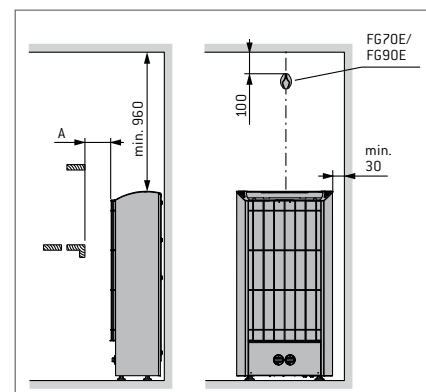
Technical data

Heater model	Power kW	Recommended sauna room size min.-max. m ³	Sauna room height min. mm	Stone capacity max. kg	400 V 3N~		230 V 1N~		A min. mm
					Connecting cables mm ²	Fuse A	Connecting cables mm ²	Fuse A	
FG70/FG70E	6,8	6-10	1900	90	5 x 1,5	3 x 10	3 x 6	1 x 35	100
FG90/FG90E	9,0	8-14	1900	90	5 x 2,5	3 x 16	3 x 10	1 x 40	150

Heater dimensions: width 480 mm, depth 260 mm and height 940 mm, weight 20 kg.

Safety distances

Safety distances (mm)



Black



Platinum



Champagne



Titanium



Moderna

Design heater with a digital feature.

Harvia Moderna is the royalty of electric heaters. Moderna heats your sauna quickly and in silence up to the bathing temperature. Harvia's patented control electronics make it easy to heat your sauna in accordance with your preferences – to an accuracy of one degree. A separate electronic sensor keeps the sauna temperature even for the entire duration of bathing.

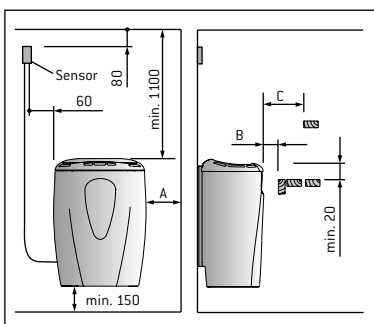
Moderna is supplied with a separate digital control panel. It is equipped with illuminated switches and a digital display indicating the set temperature and the timer. The operating time can be chosen between 2 and 8 hours, the factory setting is four hours. The pre-setting time range is between 0 and 18 hours.

Pick the colour that is most suitable for your sauna: shiny black, luxurious plati-

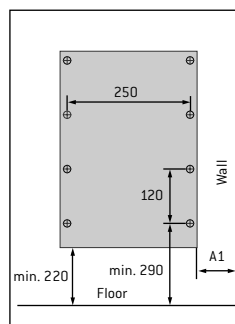
num, elegant champagne or modern titanium (brushed, stainless steel).

The Moderna models V45E, V60E and V80E are equipped with a separate splash-proof control panel that can be placed inside or outside the sauna room. The length of the data cable is 3 m (with 5 m or 10 m as options).

Safety distances (mm)



Mounting rack (mm)



Technical data

Heater model	Power kW	Recommended sauna room size min.-max. m ³	Sauna room height min. mm	Stone capacity max. kg	400 V 3N~		230 V 1N~		Safety distances			Mounting rack
					Connecting cables mm ²	Fuse A	Connecting cables mm ²	Fuse A	A min. mm	B min. mm	C min. mm	A1 min. mm
V45E	4,5	3–6	1900	20	5 x 1,5	3 x 10	3 x 2,5	1 x 20	35	20	35	110
V60E	6,0	5–8	1900	20	5 x 1,5	3 x 10	3 x 6	1 x 35	40	30	50	115
V80E	8,0	7–12	1900	20	5 x 2,5	3 x 16	3 x 6	1 x 35	70	30	60	145

Heater dimensions: width 410 mm, depth 310 mm and height 580 mm, weight 15 kg.

Black



Platinum



Champagne



Steel



Sound

New rhythm for your sauna.

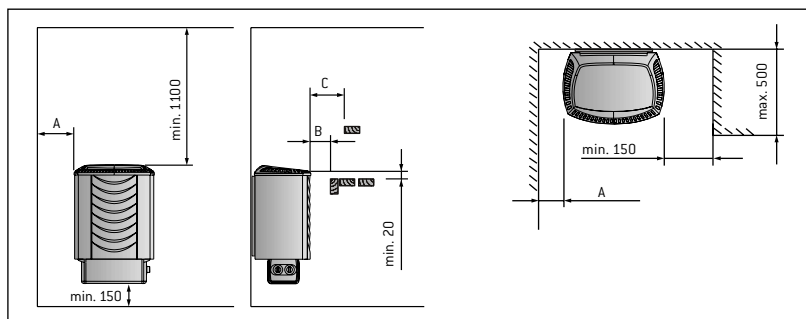
You can find a perfect match for yourself in the Harvia Sound series of heaters. Attractive design catches the eye. Sound is a user-friendly and personal choice for your sauna. It is a modern and reliable electric heater with well-designed details and high-quality materials. The

operating switches are located in the lower part, on the side of the heater.

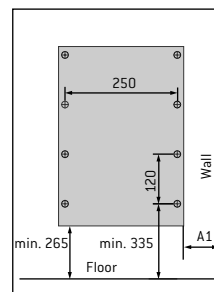
Select the most appealing Sound heater: black, platinum, champagne or stainless steel.

The Sound series models M45, M60 and M80 are equipped with a built-in control unit. The models M45E, M60E, M80E and M90E are controlled by a separate control unit (for example Griffin or C150).

Safety distances (mm)



Mounting rack (mm)



Technical data

Heater model	Power kW	Recommended sauna room size min.-max. m ³	Sauna room height min. mm	Stone capacity max. kg	400 V 3N~		230 V 1N~		A min. mm	B min. mm	C min. mm	A1 min. mm
					Connecting cables mm ²	Fuse A	Connecting cables mm ²	Fuse A				
M45/M45E	4,5	3-6	1900	20	5 x 1,5	3 x 10	3 x 2,5	1 x 25	35	20	35	115
M60/M60E	6,0	5-8	1900	20	5 x 1,5	3 x 10	3 x 6	1 x 35	50	30	50	130
M80/M80E	8,0	7-12	1900	20	5 x 2,5	3 x 16	3 x 6	1 x 35	100	30	80	180
M90E	9,0	8-14	1900	20	5 x 2,5	3 x 16	-	-	120	40	100	200

Safety distances

Mounting rack

Heater dimensions: width 420 mm, depth 310 mm and height 620 mm, weight 16 kg.



Vega

A basic heater of top class.



Harvia Vega is an elegant heater that is easy-to-use. The stainless steel outer casing of the heater gives your sauna a modern look. The operating switches are placed ergonomically in the upper part, on the side of the heater, which provides easy operating.

Vega is easy to mount on a separate mounting rack. Because of the sym-

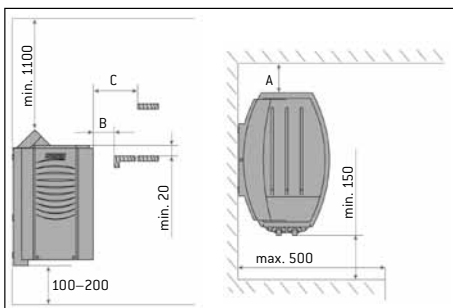
metrical design, there is no need to change the handedness of the heater – it is simply selected. Electrical connections are made from the side of the heater, which makes installation easy.

Vega's structure makes it possible to mount the heater low on the sauna wall. This allows the heat to spread evenly

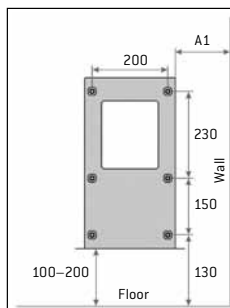
throughout the sauna, ensuring that the lower benches also enjoy plenty of heat.

The Vega models BC45, BC60, BC80 and BC90 are equipped with a built-in control unit. The models BC45E, BC60E, BC80E and BC90E are controlled by a separate control unit (for example Griffin or C150).

Safety distances (mm)



Mounting rack (mm)



Technical data

Heater model	Power kW	Recommended sauna room size min.-max. m ³	Sauna room height min. mm	Stone capacity max. kg	400 V 3N-		A min. mm	B min. mm	C min. mm	A1 min. mm
					Connecting cables mm ²	Fuse A				
BC45/BC45E	4,5	3–6	1900	20	5 x 1,5	3 x 10	35	20	35	145
BC60/BC60E	6,0	5–8	1900	20	5 x 1,5	3 x 10	50	30	50	160
BC80/BC80E	8,0	7–12	1900	20	5 x 2,5	3 x 16	100	30	80	210
BC90/BC90E	9,0	8–14	1900	20	5 x 2,5	3 x 16	120	40	100	220

Safety distances

Mounting rack

Heater dimensions: width 480/450 (E) mm, depth 310 mm and height 540 mm, weight 11 kg.



A combined electric heater and steamer

Topclass

User-friendly basic heater.

Topclass Combi

An experience for your senses.

Harvia Topclass is a user-friendly heater. The outer casing and the stone space are made of stainless steel. The illuminated control panel is placed on the side of the heater towards the top section, which makes it easy to access the switches even in the dim lighting of a sauna room. The heater is easy to mount on a separate mounting rack, and the control panel can be mounted either on the right side or the left side of the heater as appropriate.

The Topclass models KV30, KV45, KV60 and KV80 are equipped with a built-in control panel. The models KV30E,

KV45E, KV60E and KV80E are controlled by a separate control unit (for example Griffin or C150).

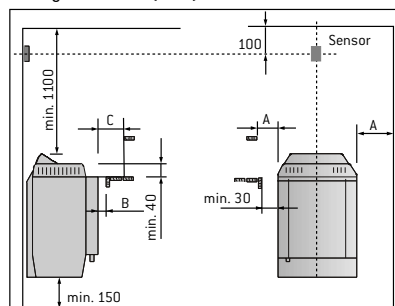
Harvia Topclass Combi is a combined electric heater and steamer that provides different sauna pleasures. You can select between a traditional Finnish sauna, a steam sauna, a herbal sauna or a fragrant sauna. This heater is the good choice for bathers who appreciate a soft and humid bath and an aromatic atmosphere.

Topclass Combi is a wall-mounted electric heater with a top-quality stainless

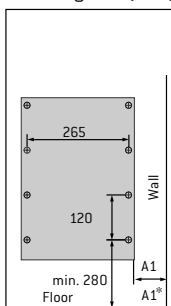
steel surface. The water tank holds 5.5 litres. The heater has soapstone cups to hold liquid fragrances and a stainless steel grate for bagged aromatic fragrances.

The Combi heaters are controlled by a separate Griffin Combi or C105S Logix control unit. Topclass Combi models are KV50SE, KV60SE, KV80SE and KV90SE. Automatic filling of the water tank is standard on models KV50SEA, KV60SEA, KV80SEA and KV90SEA. For automatic models, water supply with shut-off valve is needed.

Safety distances (mm)



Mounting rack (mm)



A1* Connection box against wall (min.)

Technical data

Heater model	Power kW	Recommended sauna room size min.-max. m ³	Sauna room height min. mm	Stone capacity max. kg	400 V 3N - cables mm ²				230 V 1N-		Safety distances			Mounting rack	
					Connecting cables mm ²		Fuse A		Connecting cables mm ²	Fuse A	A min. mm	B min. mm	C min. mm	A1 min. mm	A1* min. mm
KV30/KV30E	3,0	2-4	1900	20	4 x 1,5		2 x 10		3 x 2,5	1 x 16	20	30	60	80	195
KV45/KV45E	4,5	3-6	1900	20	5 x 1,5		3 x 10		3 x 4	1 x 25	35	30	80	95	195
KV60/KV60E	6,0	5-8	1900	20	5 x 1,5		3 x 10		3 x 6	1 x 35	50	30	120	110	195
KV80/KV80E	8,0	7-12	1900	20	5 x 2,5		3 x 16		3 x 6	1 x 35	100	30	150	160	195
					To control unit	To junction box	Connecting cable to heater	Cable to sensor mm ²	Fuse A						
KV50SE/KV50SEA	5,0	3-6	1900	20	5 x 1,5	7 x 1,5	7 x 1,5	4 x 0,25	3 x 10						
KV60SE/KV60SEA	6,0	5-8	1900	20	5 x 1,5	7 x 1,5	7 x 1,5	4 x 0,25	3 x 10						
KV80SE/KV80SEA	8,0	7-12	1900	20	5 x 2,5	7 x 2,5	7 x 2,5	4 x 0,25	3 x 16						
KV90SE/KV90SEA	9,0	8-14	1900	20	5 x 2,5	7 x 2,5	7 x 2,5	4 x 0,25	3 x 16						

See instructions for installation and use.

Topclass, heater dimensions: width 450/410 (E) mm, depth 300 mm and height 650 mm, weight 16 kg.

Topclass Combi, heater dimensions: width 400 mm, depth 360 mm and height 640 mm, weight 16 kg.



Symphony

Handy, economic and always ready.



Harvia Symphony is always ready for bathing without any pre-heating. Open the heater cover, get on the bench, throw some water on the hot stones and sit back to enjoy. Symphony guarantees that you can have a humid and soft bath immediately when ever you want. The sauna temperature will rise if you let the heater operate at maximum power for a while with the cover opened.

The heater design emphasises ease of use in addition to short heating times. The operating switches are concentrated on an illuminated control panel

built into the heater. It is easy to adjust the heater power and the air circulation valve.

Symphony is an economic heater of durable Harvia quality. The entire stone space is made of stainless steel. The efficient thermal insulation enables the heater to maintain its bathing temperature, more than 300 °C, using a modest 250 watts of electrical power. In between baths, the heater works as a normal radiator in the sauna. The heater's properties are the best in saunas with good thermal insulation and no massive

materials (such as concrete, log or glass blocks). Only large, split-face sauna stones (over 10 cm in diameter) must be used in all electric storage heaters. For more information on sauna stones, see page 5.

Symphony is the right choice for families who use the sauna several times a week but not necessarily at fixed times. The colour is luxurious platinum.

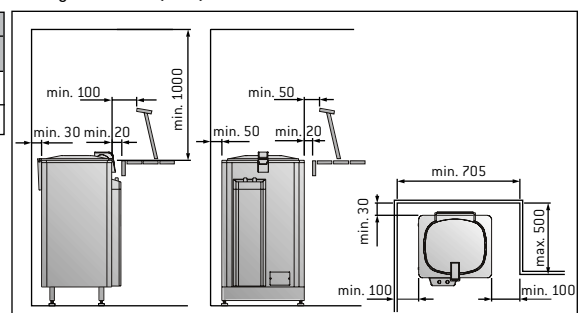
Symphony models AV4 and AV6.

Technical data

Heater model	Power kW	Recommended sauna room size min.-max. m ³	Sauna room height min. mm	Stone capacity max. kg	400 V 3N~		230 V 1N~	
					Connecting cables mm ²	Fuse A	Connecting cables mm ²	Fuse A
AV4	4,0	5-8	1900	100	4 x 1,5	2 x 10	3 x 2,5	1 x 20
AV6	6,0	7-12	1900	100	5 x 1,5	3 x 10	3 x 6	1 x 35

Heater dimensions: width 505 mm, depth 430+60 mm and height 870 mm, weight 50 kg.

Safety distances (mm)





Forte

A soft bath – for relaxation.

Harvia Forte is a new, more modern version of heat-storing heaters. The economic features are dressed in an elegantly designed heater casing. Forte's unique design and technique make it the finest heat-storing heater available.

The low bathing temperature characteristic of Forte guarantees a pleasant humid and abundant bath. The heater's properties are the best in saunas with good thermal insulation and no massive materials (such as concrete, log or glass blocks). Efficient thermal insula-

tion ensures that the energy consumption stays low.

Harvia Forte's operating switches are located in the illuminated digital panel. This allows easy adjustment of the temperature as well as the heater power. Thanks to a revolutionary technique, the Forte heater is ready for another bathing session quicker than other corresponding heater models. Compared to other heat-storing heaters, Forte has a low profile with a height of no more than 830 mm – providing enough heat for the

lower benches as well. The stone space is made of stainless steel. Only large, split-face sauna stones (over 10 cm in diameter) must be used in all electric storage heaters. For more information on sauna stones, see page 5.

Forte's soft heat is well suited for family saunas. Forte is available in shiny black colour or in stainless steel. Just pick your favourite.

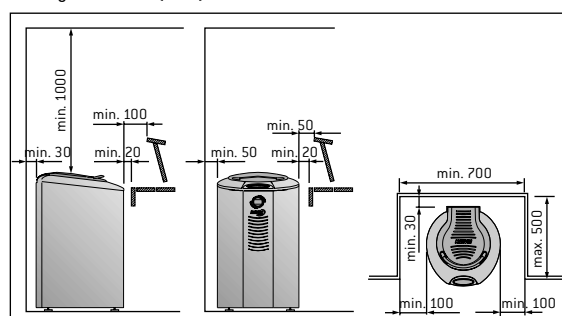
Forte models AF4, AF6 and AF9.

Technical data

Heater model	Power kW	Recommended sauna room size min.-max. m ³	Sauna room height min. mm	Stone capacity max. kg	400 V 3N~	
					Connecting cables mm ²	Fuse A
AF4	4,0	5–8	1900	100	5 x 1,5	3 x 10
AF6	6,0	7–12	1900	100	5 x 1,5	3 x 10
AF9	9,0	10–15	1900	100	5 x 2,5	3 x 16

Heater dimensions: width 500 mm, depth 535 mm and height 830 mm, weight 30 kg.

Safety distances (mm)





Harvia heaters for large and commercial saunas

A relaxing moment together in a pleasant sauna bath is a shared enjoyment.

The heaters in large saunas and saunas in continuous use must be efficient and durable. The humidity and temperature in the sauna must remain stable for long periods of time. The characteristics of Harvia commercial sauna heaters are particularly well-suited for saunas in hotels, health clubs, wellness centres, indoor swimming pools, spa resorts and large corporate saunas.



Elegance

An elegant quality heater.

Harvia Elegance is an elegant heater that catches the eye. The design is stylish and the heater can be installed in the middle of the sauna floor or embedded to the benches. The heater is best suited for commercial saunas and large family saunas.

The appearance of Elegance can be supplemented by beautiful reddish wooden

handrail made of alder, well-suited for the stainless outer casing. The handrail is also available with halogen lamps sufficient for sauna lighting, adding to the atmosphere.

The Elegance heater is controlled by a separate control unit (for example Grifin, C150 or C260). Elegance models F10,5, F15, F16,5 and F18.

Accessories:

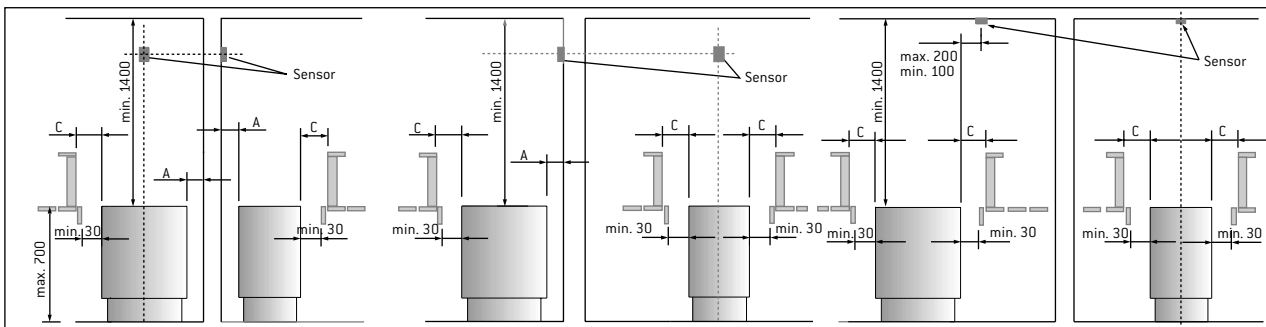
Wooden handrail, alder:

exterior measurements 650 x 650 mm, height 50 mm.

Illuminated handrail, alder (shown in the picture):

exterior measurements 650 x 650 mm, height 170 mm, 4 x 10 W halogen lamps.

Safety distances (mm)



Technical data

Heater model	Power kW	Recommended sauna room size min.-max. m ³	Sauna room height min. mm	Stone capacity max. kg	400 V 3N-cables mm ²			Cable to sensor mm ²	Fuse A	A min. mm	A max. mm	C min. mm
					To control unit	To junction box	Connecting cable to heater					
F10,5	10,5	9–18	2100	60	5 x 2,5	5 x 2,5	5 x 2,5	4 x 0,25	3 x 16	100	200	50
F15	15,0	14–26	2100	60	5 x 6,0	5 x 6,0	5 x 2,5	4 x 0,25	3 x 25	150	250	100
					To heater group 1 and 2				Front fuse A			
F16,5	16,5	16–30	2100	60	5 x 6,0	5 x 2,5	2 x 5 x 2,5	4 x 0,25	3 x 25	150	250	100
F18	18,0	20–35	2100	60	5 x 10	5 x 2,5	2 x 5 x 2,5	4 x 0,25	3 x 35	150	250	100

Heater dimensions: width 500 mm, depth 500 mm and height 700 mm, weight 26 kg.



A combined electric heater and steamer

Senator

Stylish and compact.

Senator Combi

A luxurious experience for the senses.

Harvia Senator is a floor-mounted electric heater specifically designed for those who really enjoy a sauna. The large stone space and six heating elements warm up the sauna evenly and efficiently. A constant temperature and soft steam are ideal for bathing for longer periods of time.

Senator is made almost entirely of stainless steel. It is well-suited for smaller commercial saunas for example in hotels as well as family saunas.

The Senator heater is controlled by a separate control unit (for example Griffin or C150). Senator models T9 and T10,5.

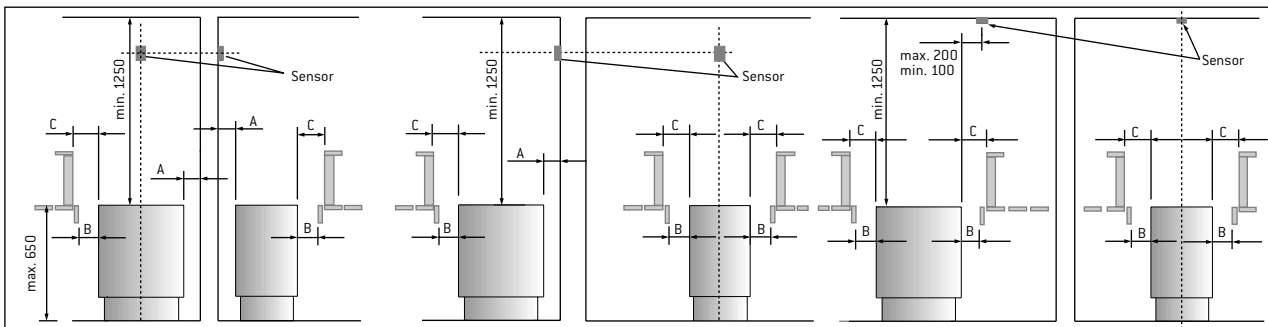
Harvia Senator Combi is a combined electric heater and steamer offering multiple ways of sauna bathing. Your sauna can become a traditional Finnish sauna, a steam sauna, a herbal sauna or a fragrant sauna – all sauna experiences in the same package.

Senator Combi is a floor-mounted electric heater with a top-quality stainless steel surface. The water tank holds 5.5 litres. The heater has soapstone cups to hold liquid fragrances and a stainless steel grate for bagged aromatic fragrances.

The Combi heaters are controlled by a separate Griffin Combi or C105S Logix control unit. Senator Combi models T7C and T9C.

Automatic filling of the water tank is standard on models T7CA and T9CA. For automatic models, water supply with shut-off valve is needed.

Safety distances (mm)



Technical data

Heater model	Power kW	Recommended sauna room size min.-max. m ³	Sauna room height min. mm	Stone capacity max. kg	400 V 3N-cables mm ²			Cable to sensor mm ²	Fuse A	Safety distances			
					To control unit	To junction box	Connecting cable to heater			A min. mm	A max. mm	B min. mm	C min. mm
T9	9,0	8–14	1900	40	5 x 2,5	5 x 2,5	5 x 2,5	4 x 0,25	3 x 16	120	150	50	80
T10,5	10,5	9–15	1900	40	5 x 2,5	5 x 2,5	5 x 2,5	4 x 0,25	3 x 16	150	180	50	100
T7C/T7CA	7,0	6–9	1900	35	5 x 2,5	7 x 2,5	7 x 2,5	4 x 0,25	3 x 16	80	120	35	60
T9C/T9CA	9,0	8–14	1900	35	5 x 2,5	7 x 2,5	7 x 2,5	4 x 0,25	3 x 16	120	150	50	80

Senator, heater dimensions: width 465 mm, depth 345 mm and height 660 mm, weight 19 kg.

Senator Combi, heater dimensions: width 345 mm, depth 465 mm and height 660 mm, weight 20 kg.



Club, Club Combi and Profi

Super heaters for heavy-duty use.

The Club and Profi heaters from Harvia are designed to serve as true super heaters capable of providing heat for large numbers of users from morning till night.

Heaters used in large saunas or on a continuous basis must be functional, efficient and comfortable to use. The floor-mounted Club and Profi electric heaters are of the world-famous Harvia quality. They are completely made of stainless steel and provide

the power and durability required for heavy-duty use.

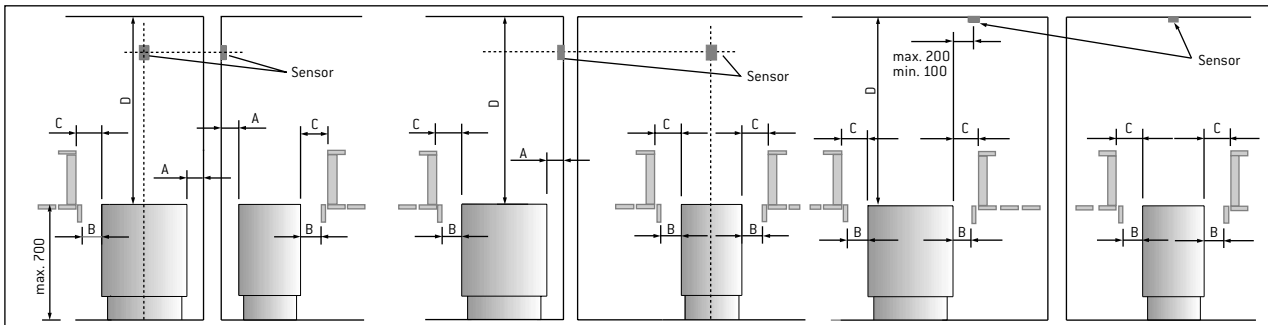
The Club and Profi heaters are excellent for health clubs, wellness centres, hotels, holiday resorts, indoor swimming pools, large family saunas and other facilities where saunas are in frequent use. You can select a heater for your sauna room from two sizes and several power options.

The Club range of heaters also includes models with steamer (Combi), which

have automatic filling of the water tank. Water supply with shut-off valve is needed. The Club Combi models K11GS, K13,5GS and K15GS are controlled by a separate Griffin Combi or C105S Logix control unit.

The Club and Profi heaters are controlled by a separate control unit (for example Griffin, C150VKK or C260). Club models K11G, K13,5G and K15G. Profi models L20, L26, L30 and L33.

Safety distances (mm)



Technical data

Heater model	Power kW	Recommended sauna room size min.-max. m ³	Sauna room height min. mm	Stone capacity max. kg	400 V 3N-cables mm ²			Cable to sensor mm ²	Fuse A	Safety distances					
					To control unit	To junction box	Connecting cable to heater			A min. mm	A max. mm	B min. mm	C min. mm	D min. mm	
CLUB	K11G	11,0	9-16	1900	60	5 x 2,5	5 x 2,5	5 x 2,5	4 x 0,25	3 x 16	70	170	50	70	1200
	K13,5G	13,5	11-20	2100	60	5 x 4,0	5 x 4,0	5 x 2,5	4 x 0,25	3 x 20	100	200	50	100	1400
	K15G	15,0	14-24	2100	60	5 x 6,0	5 x 6,0	5 x 2,5	4 x 0,25	3 x 25	100	200	50	100	1400
CLUB COMBI	K11GS	11,0	9-16	1900	60	3 x 1,5 *	4 x 1,5 *	5x1,5+4x1,5	-	3 x 16 *	70	170	50	70	1200
	K13,5GS	13,5	11-20	2100	60	3 x 1,5 *	4 x 1,5 *	5x2,5+4x1,5	-	3 x 20 *	100	200	50	100	1400
	K15GS	15,0	14-24	2100	60	3 x 1,5 *	4 x 1,5 *	5x2,5+4x1,5	-	3 x 25 *	100	200	50	100	1400
					To heater group 1 and 2			Front fuse A							
PROFI	L20	20,0	18-30	2100	100	5 x 10	5 x 2,5	5 x 2,5	4 x 0,25	3 x 35	160	-	100	200	1400
	L26	26,0	30-46	2200	100	5 x 16	5 x 6,0	5 x 2,5	4 x 0,25	3 x 50	160	-	100	200	1500
	L30	30,0	40-56	2200	100	5 x 16	5 x 6,0	5 x 2,5	4 x 0,25	3 x 50	200	-	100	200	1500
	L33	33,0	46-66	2200	100	5 x 16	5 x 6,0	5 x 2,5	4 x 0,25	3 x 50	200	-	100	200	1500

*) Club Combi requires a separate supply voltage for the heater (3-phase 16/25 A) and for the control unit (1-phase 10 A).

Club, heater dimensions: width 505 mm, depth 430 mm and height 700 mm, weight 25 kg.

Club Combi, heater dimensions: width 505 mm, depth 490 mm and height 700 mm, weight 30 kg.

Profi, heater dimensions: width 500 mm, depth 900 mm and height 730 mm, weight 60 kg.



Legend

The mighty original.

Harvia Legend gives you the ultimate sauna experience. This large heater takes you back to the origins – it entails the essence of the sauna. The patinated steel frame has a large amount of stones inside and as they heat up, even a larger sauna gets a magnificent sauna bath. Due to the open structure of the stone space, you can throw water on the entire outer surface of the heater. The heat charged in the large number of stones allows you to throw more water even at a lower temperature – you'll get a delightfully moist bathing experience.

Due to the circular form, the Harvia Legend heater can be installed to the middle

of the sauna or embedded to the benches. The heater is operated through a separate control unit (for example Griffin, C150 and C260). Legend models P011 and P0165.

Complete the interior of your sauna with **Legend glass door** and **Legend sauna light** which match the Legend heaters visually.

The frames of Legend glass doors are black tinted pine and the door handle is black painted hardwood. The glass colour alternatives are: clear, bronze, smoky grey and satin. The Legend glass door is available in all standard sizes

(7 x 19, 8 x 19, 9 x 19, 8 x 21 and 9 x 21). Legend door is available also with black painted aluminium frame.

Legend sauna light is black painted. Measurements 230 x 180 mm (width x height). The package includes both lamp and lamp shade. Protection level IP44, bulb E14 (max. 40 W) not included in delivery.



P011

P0165

Registered design.

Technical data

Heater model	Power kW	Recommended sauna room size min.-max. m ³	Sauna room height min. mm	Stone capacity max. kg *	400 V 3N-cables mm ²			Cable to sensor mm ²	Fuse A
					To control unit	To junction box	Connecting cable to heater		
P011	11,0	9–20	1900	120	5 x 2,5	5 x 2,5	5 x 2,5	4 x 0,25	3 x 16
P0165	16,5	16–35	2100	220	5 x 6,0	5 x 6,0	5 x 2,5	4 x 0,25	3 x 25

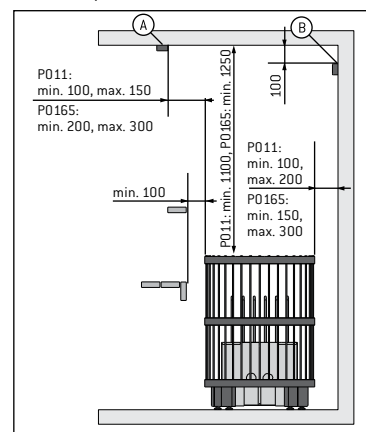
P011, heater dimensions: diameter 530 mm and height 740 mm, weight 30 kg.

* Stone capacity 120 kg: 40 kg AC3000 stones (stone size Ø 5–10 cm) and 80 kg AC3020 stones (stone size Ø 10–15 cm).

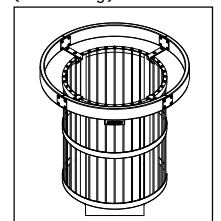
P0165, heater dimensions: diameter 600 mm and height 830 mm, weight 33 kg.

* Stone capacity 220 kg AC3020 stones (stone size Ø 10–15 cm).

Safety distances (mm) and the location options for the sensor (A, B)



Safety railing SASP0240 for P0165 and SASP0241 for P011 (accessory)





Hidden Heater

A heater behind the benches.



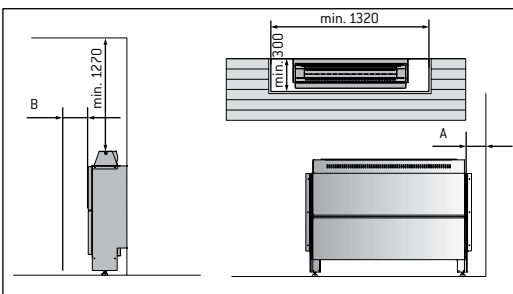
Harvia Hidden Heater is a practical heater requiring very little space. It is mounted behind the benches and is therefore very well-suited for community saunas.

Optional accessories for Hidden Heater include a soapstone bowl and a flexible hose pipe. The heat remains comfortably even when water is conveyed to the heater little by little. The bowl is placed on the bench and water is poured into it. The hose pipe takes the water to the heater.

This heater is designed for heavy-duty use and completely made of high-quality stainless steel.

The Hidden Heater is controlled by a separate control unit (for example Griffin or C150). Hidden Heater models HH6, HH9 and HH12.

Safety distances (mm)



Technical data

Heater model	Power kW	Recommended sauna room size min.-max. m ³	Sauna room height min. mm	Stone capacity max. kg	400 V 3N~ cables mm ²			Cable to sensor mm ²	Fuse A	A min. mm	B min. mm
					To control unit	To junction box	Connecting cable to heater				
HH6	6,0	6–10	2100	15	5 x 1,5	5 x 1,5	5 x 1,5	4 x 0,25	3 x 10	75	75
HH9	9,0	10–14	2100	15	5 x 2,5	5 x 2,5	5 x 2,5	4 x 0,25	3 x 16	75	90
HH12	12,0	12–17	2100	15	5 x 4,0	5 x 2,5	5 x 2,5	4 x 0,25	3 x 20	90	120

Safety distances

Heater dimensions: width 1175 mm, depth 290 mm and height 830 mm, weight 33 kg.

Harvia control units


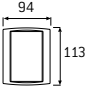
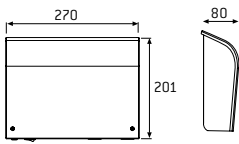
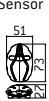

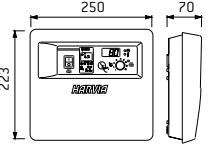




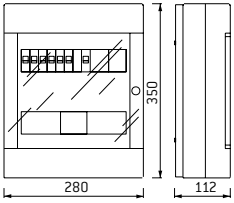



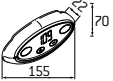
Control units make it easy to use the sauna. Select a heater type controlled by a separate control unit and choose the type of control unit that suits the usage of your sauna. Harvia's versatile range includes separate control units for the home and public premises. Harvia's control units are surface-mounted and are installed outside the sauna in a dry location. The control unit functions are implemented using modern processor technology, and the sensors are equipped with a resettable overheat protector.

Harvia Griffin is an elegant, new-generation digital control unit. The Griffin product family consists of four control units for controlling different devices. Harvia Griffin (CG170) for controlling electric heater; Harvia Griffin Combi (CG170C) for controlling Combi heater or a combination of a heater

and a steamer; and Harvia Griffin Infra (CG170I) for controlling infrared device. Harvia Griffin Colour Light control unit (CG170T) is for controlling Harvia colour light device.

Griffin control units CG170, CG170I and CG170T can be equipped with additional power units. Up to 8 power units can be connected in series so that they share the same control panel. This allows you to control up to 8 heaters, 64 infrared radiators or 16 colour light devices depending on control unit model.

The C series consists of basic control units that can be used, depending on the model, for controlling heaters of various type and various power levels. Please read more below.

	Type	Functions	Times	Measurements
	<p>Griffin Control panel, power unit and separate sensor included. 400 V 3N -</p> <p>CG170, Griffin Control unit for controlling heater. Max. 17 kW</p> <p>CG170C, Griffin Combi Control unit for controlling Combi heater or heater and separate steamer. Max. directly to the heater 11 kW, to a Combi heater with a contactor 17 kW.</p> <p>CG170T, Griffin Colour Light Control unit for controlling colour light. Max. load/power unit 2 x 50 W colour light device.</p> <p>CG170I, Griffin Infra Control unit for controlling infrared device. Max. load/power unit 3,6 kW.</p>	<p>Digital control unit</p> <ul style="list-style-type: none"> - Temperature adjustment range +(40–110) °C - Control of lighting and fan - An extra temperature sensor can be installed (optional) - Multidrive (max. 8 power units) <p>Digital control unit</p> <ul style="list-style-type: none"> - Temperature adjustment range +(40–110) °C - Heater control - Steamer control, RH 20–95 % - Combined heater and steamer control - Control of lighting and fan <p>Digital control unit</p> <ul style="list-style-type: none"> - Cycle speed adjustment range 5–120 s - Brightness adjustment range 20–100 % - Multidrive (max. 8 power units) <p>Digital control unit</p> <ul style="list-style-type: none"> - Temperature adjustment range +(25–50) °C - Control of lighting - Multidrive (max. 8 power units) 	<ul style="list-style-type: none"> - Operating time adjustment range 1–12 h - Pre-setting time 0–12 h <ul style="list-style-type: none"> - Operating time adjustment range 1–12 h - Pre-setting time 0–12 h <ul style="list-style-type: none"> - Operating time adjustment range 1–12 h 	<p>Control panel</p>  <p>Power unit</p>  <p>Sensor</p> 
	<p>C80/1 Separate sensor included 230 V 1N - max. 8 kW</p> <p>C90 Separate sensor included 400 V 3N - max. 9 kW</p> <p>C150 Separate sensor included 400 V 3N - max. 17 kW</p>	<p>Digital control unit</p> <ul style="list-style-type: none"> - Digital temperature display, max. +125 °C - Temperature adjustment range +(40–110) °C <p>Digital control unit</p> <ul style="list-style-type: none"> - Digital temperature display, max. +125 °C - Temperature adjustment range +(40–110) °C <p>Digital control unit</p> <ul style="list-style-type: none"> - Digital temperature display, max. +125 °C - Temperature adjustment range +(40–110) °C 	<ul style="list-style-type: none"> - Operating 4 h (alternatively 1–12 h) - Pre-setting time 0–12 h <ul style="list-style-type: none"> - Operating 4 h (alternatively 1–12 h) - Pre-setting time 0–12 h <ul style="list-style-type: none"> - Operating 4 h (alternatively 1–12 h) - Pre-setting time 0–12 h 	<p>C80/1, C90, C150, C150VKK, C260, C105S Logix</p>  <p>Sensor</p> 
	<p>C150VKK Separate sensor included 400 V 3N - max. 17 kW</p>	<p>Digital control unit</p> <ul style="list-style-type: none"> - Digital temperature display, max. +125 °C - Temperature adjustment range +(40–110) °C - Week timer and remote control function 	<ul style="list-style-type: none"> - Operating 12 h (alternatively 6 or 18 h) - In manual operation, the operating time is 0–12 h at half-hour intervals 	<p>Sensor</p> 
	<p>C260 Control unit, 2-group power unit and separate sensor included 400 V 3N - C260-20: max. 22 kW C260-34: max. 34 kW</p>	<p>Digital control unit, 2-group power unit</p> <ul style="list-style-type: none"> - Digital temperature display, max. +125 °C - Temperature adjustment range +(40–110) °C - Week timer and remote control function 	<ul style="list-style-type: none"> - Operating 12 h (alternatively 6 or 18 h) - In manual operation, the operating time is 0–12 h at half-hour intervals 	<p>Power unit (C260)</p> 
	<p>KA3 (optional)</p>	<p>Cover with a lock for control units C150, C150VKK and C260.</p>		
	<p>C105S Logix 400 V 3N - Control unit for controlling Combi heater or heater and separate steamer. Max. directly to the heater 10,5 kW, to a Combi heater with a contactor 17 kW.</p>	<p>Digital control unit</p> <ul style="list-style-type: none"> - Digital temperature display, max. +125 °C - Temperature adjustment range +(40–110) °C - Heater control - Steamer control, RH 10–95 % - Combined heater and steamer control 	<ul style="list-style-type: none"> - Operating 4 h (adjustable) - Pre-setting time 0–12 h 	
	<p>Control panel As standard in models D23EE–D36EE (2,3–3,6 kW) V45E–V80E (4,5–8 kW) FU60–FU90 (6–9 kW) PI70–PI90 (6,9–9 kW) Not available for other models.</p>	<p>Digital control panel</p> <ul style="list-style-type: none"> - Temperature adjustment range +(40–110) °C 	<ul style="list-style-type: none"> - Operating time adjustment range 2–8 h - Pre-setting time 0–18 h 	

Additional sauna products

Harvia also offers additional sauna products for your sauna. Whether your sauna is old or new, you can improve your sauna enjoyment using the products presented below, for example.

Harvia colour lights

Colours are proven to have a significant holistic effect on health and mind. Harvia colour lights bring a finishing touch to your sauna interior and create the desired atmosphere. Harvia colour light system consists of a colour light device and Griffin Colour Light control unit. The colour light device has four halogen lamps of different colours: yellow, red, blue and green. The product is very safe to use: the power applied to the lamp is only 50 W/12 VDC. With the colour light control unit you can choose the colour, adjust the brightness and the speed of the colour light alteration. There are two different colour light models available: Harvia colour light and Harvia Futura colour light.



Harvia loudspeakers

Sauna loudspeakers emphasise the sauna experience; pleasant music relaxes the mind. Connect the loudspeakers to your music system to listen to music in your sauna room at the desired volume.

The enclosure rating of the Harvia sauna loudspeakers is IP65, which makes them ideal for humid rooms. Colour white, power 80 W, impedance 4 ohm, frequency response (-10 dB) 60–15,000 Hz, sensitivity 86 dB (1 W/1 m), 6.5" mono speaker, flush mounting depth 50 mm, and diameter 142 mm.

Harvia decorative stone wall

The Harvia decorative stone wall is an easy and economical way to create a stylish sauna. The Harvia decorative stone wall can be mounted behind the heater, for example. The decorative stone wall can easily be attached directly on the panelling.

The ceramic wall, made of high-quality imitation stone, can be installed in both new and old saunas. The lower part of the decorative stone wall is made of brushed steel which enables you to mount a wall-mounted heater stylishly. The aluminum rails make the decorative stone wall stand out. The decorative stone wall is an eye-catching detail.

The delivery includes mounting supplies and drill bits for mounting the stone wall and a wall-mounted heater. The decorative stone wall is available in two sizes: 534 x 1870 and 534 x 2040 mm, depth 15 mm.



Harvia sauna products

The broad Harvia product range includes high-quality stainless steel accessories set, buckets, ladles, sauna aromas, sauna pillows, and sauna whisks among other things.





Tailor-made infrared cabin on the left and traditional sauna on the right.

Infrared radiators

Building a modern infrared cabin into any dry space is easy. The infrared radiators produce dry, long-wave heat, affecting deep in the tissues and providing several positive health effects. For example, it relieves muscle tension and makes you feel good.

The Harvia infrared system consists of infrared radiators and the Griffin Infra control unit. Three different models of infrared radiators are available. The Comfort model is equipped with a light, and its flock-coated surface is comfortable and safe. The core of an infrared radiator is a tube-type heating element specially designed for Harvia infrared cabins. The Basic model is similar to the Comfort model, except that it does not have a light. The Carbon infrared radiator is a thin carbon fiber heating element that heats quickly as the current passes through it. It can be installed for instance over panelling, as it is only 4 mm thick. All models are easy to install.

An infrared cabin is ready for use almost immediately. Just switch it on from the digital Griffin Infra control panel, and you can enjoy the pleasant warmth within a few moments. The Harvia infrared radiators are of tested Harvia quality, very reliable, durable, and long-lasting.

Harvia designs infrared cabins for chosen spaces and according to given measurements. Ask for an offer for a customised infrared cabin.



Comfort infrared radiator



Carbon infrared radiator

Technical data:

Comfort infrared radiator

- With light
- Size 218 x 60 x 725 mm (w x d x h)
- Output: 400 W (+ light 35 W)
- Wavelength range: ca. 4000–4500 nm

Carbon infrared radiator

- Size 400 x 4 x 1000 mm (w x d x h)
- Output: 380 W
- Wavelength range: ca. 4000–17000 nm

Basic infrared radiator

- Size 218 x 60 x 725 mm (w x d x h)
- Output: 400 W
- Wavelength range: ca. 4000–4500 nm

Griffin Infra CG170I control unit

- Temperature adjustment range 25–50 °C
- Operating time adjustment range: 1–12 h
- Control of lighting
- Max. load: 3,6 kW (230 V 1N~)
- Multidrive (max. 8 power units)





Products for steam rooms

Steam room differs from a traditional Finnish sauna in that its temperature is lower and the air humidity higher. The air humidity rises to a hundred per cent, while the temperature remains at 40–45 degrees. Instead of a traditional sauna heater, the heat source in a steam room is a steam generator. With modern technology, steam rooms can be easily installed in homes. Please note, however, that the wall, ceiling, and seat material in a steam room must be completely waterproof.

The steam room, similarly to the traditional sauna relaxes the muscles, stimulates blood circulation, and provides relief for many kinds of aches and pains. Breathing steam is a traditional cure for the cold – and for a stuffy nose in particular. A relaxing moment in a steam room relieves stress and eases the mind, which may also help sleeping problems, making sleep deeper and more soothing.

Harvia offers the products you need for equipping a steam room.

Harvia Steam -steam generator brings Harvia's expertise in sauna bathing into steam rooms. Harvia Steam is easy to install. No separate mounting-rack is needed and coupling

is dimensioned by standard. Models HGS45M, HGS60M, HGS90M and HGS11M. Up to 4 pieces of HGS11L extra power units can be linked with basic steam generator to be controlled with same control panel.

Harvia Steam is controlled by a separate control panel – Harvia Griffin Steam. The digital control panel, which includes to the delivery, is easy to operate due to its large screen and simple control menu. Controlled functions: steam generator, fragrance pump, lighting and fan of the steam room.

Optional equipment for Harvia Steam:

- automatic discharge valve
- fragrance pump
- Eucalyptus fragrance for steam room (5 l)
- steam nozzle (standard delivery includes one steam nozzle)

Harvia aluminium frame door is an excellent solution for the steam room door. It is available as both single and double all-glass door.

More info at www.harviasauna.com.



Automatic discharge valve Fragrance pump Fragrance for steam room Steam nozzle Aluminium frame door

Technical data

Model	Power kW	Recommended steam room size [m ³]						Steam output capacity kg/h	230 V 1N ~		400 V 3N ~	
		Light wall (acrylic, etc.)		Tiled light wall		Tiled stone wall, etc.			Cable-mm ²	Fuse A	Cable-mm ²	Fuse A
		Ventilated	Not ventilated	Ventilated	Not ventilated	Ventilated	Not ventilated					
HGS45M	4,5	2,0–5,0	2,0–7,0	2,0–4,0	2,0–6,0	2,0–3,5	2,0–4,5	5,5	3 x 6	25	5 x 1,5	3 x 10
HGS60M	5,7	2,5–8,0	3,5–11,0	2,0–6,0	3,0–9,0	2,0–5,0	2,0–7,5	7,6	3 x 6	25	5 x 1,5	3 x 10
HGS90M	9,0	6,0–12,0	9,0–17,0	4,5–10,0	7,5–14,0	3,0–8,0	6,0–11,5	12,0	-	-	5 x 2,5	3 x 16
HGS11M	10,8	10,0–14,5	15,0–21,0	8,0–12,0	12,0–17,0	6,0–10,0	10,0–14,0	14,6	-	-	5 x 2,5	3 x 16

Dimensions: width 520 mm, depth 196 mm and height 411 mm. Weight: 11 kg (water reservoir empty), 14 kg (water reservoir full).

Harvia – The many stories of sauna.

The warmth of the sauna attracts us for different reasons. Sauna helps us to relax, to have a good time in good company, or simply to take a moment to ourselves. The comforting warmth of the sauna comes in many forms – in the traditional Finnish wood-heated sauna, the urban city home bathroom sauna, or the modern infrared cabin. We can enjoy sauna in summer as well as winter, in everyday life, or to celebrate special occasions. Sauna can tell many stories.

The Harvia story is unique as well. The company founded in 1950 by Tapani Harvia (1920–1998) has expanded over the decades from a small artist's forge into world's leading sauna heater manufacturer and a forerunner in the sauna business. Behind the success story stands a determined and skillful inventor who forged his business idea and expertise into the shape of a sauna stove. Harvia has remained a Finnish family enterprise and the Harvia companies now employ 300 people. Products are exported globally.

Harvia has developed an extensive range of sauna products for the needs of different bathers. Harvia can provide everything you need in your sauna. Besides sauna heaters, Harvia manufactures saunas, sauna interiors, bathroom saunas, infrared cabins, steam generators, and sauna accessories. The company is firmly focused on product development and the challenges of the future. Harvia wishes to offer the relaxing warmth of the sauna to everyone – just the way they want it.



Local dealer: