



control with μ WiFi technology from any place in the World



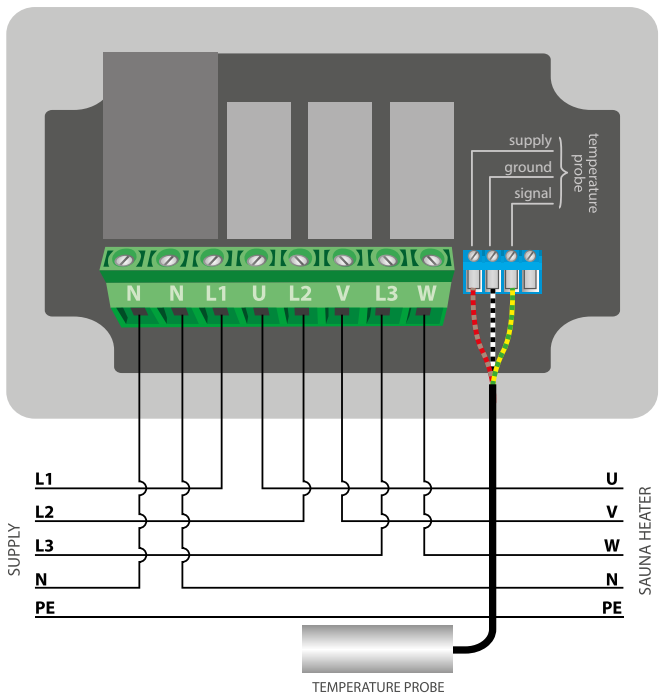
WIRELESS SMART CONTROLLER FOR SAUNA

SAFETY RULES

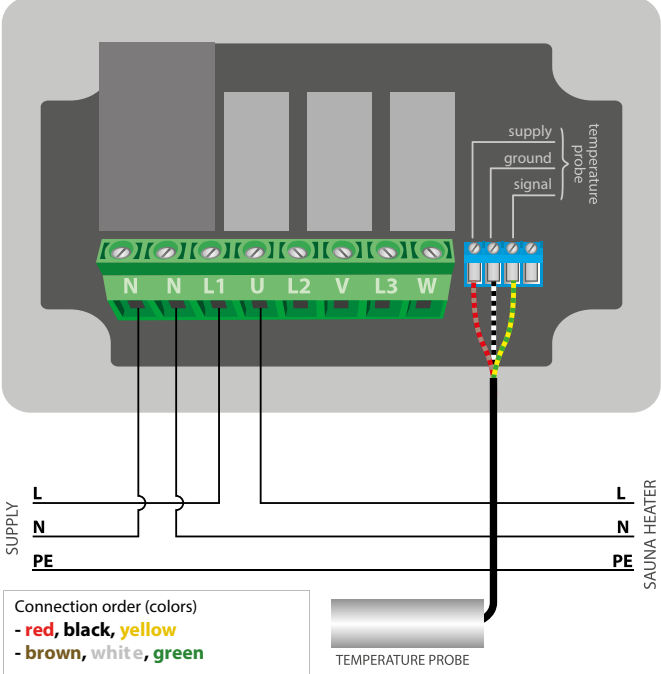
- Do not connect the device to loads exceeding the permitted values.
- Connect only in accordance with the diagram presented in the manual. Improper connections may be dangerous, it can damage the controller, and loss of the warranty.
- DANGER!** Risk of electric shock! Even with the device turned off, the outputs may be live. All assembly work should be ALWAYS performed with the disconnected power circuit.
- The installation of the device to a power mains that does not meet the quality requirements defined by PN-EN 50160, will result in the loss of the warranty.
- ATTENTION!** The device is designed to operate in an electric network of 230V phase voltage and 400V phase-to-phase voltage. Take special care during installation!
- The controller has been designed to work only with heating devices. The heaters must have independent thermal protection.
- To ensure protection against electric shock, the protective terminal of I class heating devices must always be connected to the protective earth (PE) terminal in the TN-S network or to the neutral-protective (PEN) terminal in the TN-C network. At the installation of electrical devices, special attention must be paid to the protection against electric shock described in PN-HD 60364-4-41.
- Protect the power circuit with overcurrent protection.
- Connection of the controller must be carried out only by persons with the corresponding electrician license.
- The controller must not be installed inside the sauna room.

CONNECTION DIAGRAMS

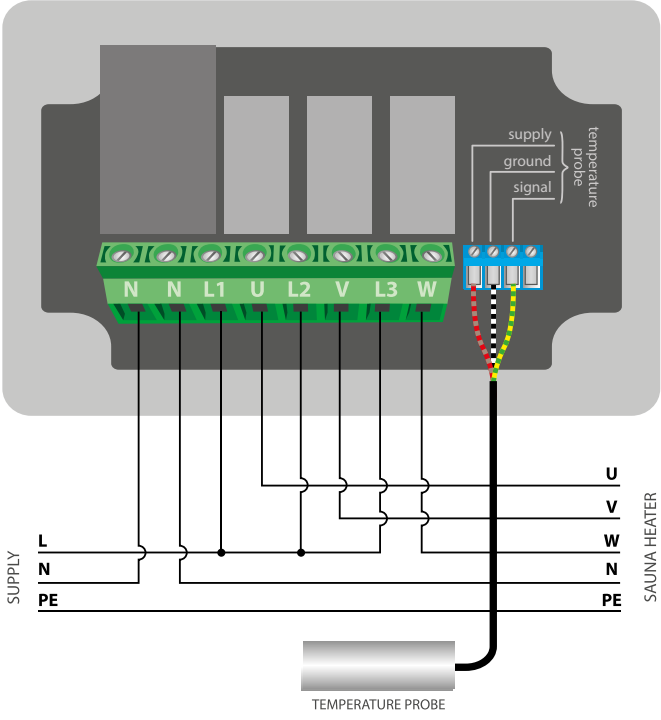
General connection diagram:



Single phase supply, single phase heater:



Single phase supply, three phase heater in a star circuit:



1

INSTALLATION - BASICS

- Disconnect the supply before installing the controller. Remember that any mounting works should be carried out when the mains voltage is disconnected.
- The controller should be installed in a place protected against adverse environmental conditions - **it must not be installed inside the sauna room**. Remember that metallic elements (wires, tubes, housing parts) have a negative influence on the range of the device, and consequently the comfort of use. The controller and electric wires must be fixed permanently to the wall. Due to the operating voltage of the device it is necessary that the wires are inserted through the rubber glands and the cable insulation is cutted-out inside the controller housing at a distance of at least 1 cm from the cable gland. When connecting the wires, make sure that the insulation along the entire length of the wire is not damaged. The correct installation must guarantee that all conductive elements are protected against accidental contacts or short circuits, which may cause an electric shock or damage to the device.
- Read the diagram and then proceed to install the controller. Remove the four screws securing the front panel of the controller, and then, holding both sides of the panel, gently pull it towards you. In the case of a controller with a pin socket, pulling out the panel will disconnect it. In the case of a controller with a cable, be careful not to tear out the sockets connecting the front panel to the back of the controller. To make it easier to connect the power cables, detach the front panel by pressing the lever located on the cable socket. Pay special attention to the markings of the controller connectors. Start by connecting the power cables - phase L1 (brown), L2 (black) and L3 (grey) and neutral N (blue). In the case of a single-phase power supply, connect the phase wire (brown) to the L1 connector or the bridged connectors L1, L2 and L3 and the neutral wire N (blue).
- Connect the furnace (heaters) - In the case of a single-phase furnace or the case of contactor control, connect the wires to the U and N connectors. In the case of a three-phase furnace (heaters in the "star" electrical system), connect the wires to the U, V, W and N connectors. Remember to connect the PE protective conductor (yellow-green).
- Connect the external temperature probe to the blue connector in the order of colors (from the left): red, black and yellow or brown, white and green. The last connector, on the far right, must be disconnected, it has been designed to allow the expansion of the capabilities of the product and is currently not used.
- A digital probe is used to measure the temperature and should be placed inside the sauna room/cabin. The probe should be placed according to the furnace manufacturer's recommendations. If the furnace manufacturer has not specified the location of the probe, it is recommended to install the probe at a distance of 15 cm from the ceiling and approximately 30-50 cm from the edge of the stove. Avoid placing the probe near ventilation elements (grids, doors, windows). The final decision on selecting the probe location is made by the installer/fitter. It is not recommended to excessively extend the original temperature probe cable, as the induced interference may cause incorrect operation of the probe or controller.
- Depending on the version of the saunaBox controller, connect the front panel using a cable or the included pin strip. Holding both sides of the controller front panel, carefully and gently place it onto the controller housing. In the case of the controller version with a pin strip, pay attention to the correct insertion of the pin strip into the connector. Be careful not to move the dowel strip during panel installation. Gently tighten the four screws securing the front panel, trying not to use too much force so as not to damage the housing.
- After making sure that the device has been connected following the diagram, turn on the device by switching on the power supply - the middle LED from the "on/off" button will light up on the front panel.

2

FIRST START

- Download the **free wBox application**. If you have an Android mobile device, you will find the application in the Play Store. For iOS devices the application is in the App Store.
- By using your mobile phone or tablet, connect it to the device wireless network. To do this, enter to your smartphone or tablet settings, then go to setting of the WiFi network and find the network name "saunaBox-xxxxxxx" where xxxxxxxx is the serial number of the device. Connect to this network.
- Turn on the wBox application. A device will appear at the top of the screen. To add it to the application, click on "+" on the right side of the name. To pre-configure the controller, click on the default device name.



You can also set the configuration using the web browser of your phone / tablet. After connecting to the wireless network of the controller, turn on the browser and go website www.blebox.eu

- Test the work of the controller by moving the ON / OFF button to the ON position or pressing the middle button of the keyboard panel - the controller will illuminate the panel and the LEDs of the temperature adjustment buttons will light up. In the ON position it is possible to adjust the desired temperature: in the application, move the temperature control scroll bar upwards or on the front panel keep pressed the button which increases the temperature. When the desired temperature exceed current temperature the controller will turn on the relays and heating will start. Observe the readings of measured temperature: the readings should increase at the same time as the room heats up and the panel backlight should change color.
- Go to the driver settings (the "gear" icon in the upper right corner of the screen), and then to the "Device settings" section. In the "Minimum temperature" and "Maximum temperature" fields, you can change the operating range of the temperature controller. Limiting the width of the adjustment range makes it easier to precisely set the temperature using the setting slider and buttons on the keyboard panel. For example, in the case of a dry sauna, it is recommended to set the "Minimum temperature" field to 60°C and the "Maximum temperature" field to 110°C.

3

ACCESS POINT AND WIFI NETWORK SETTINGS

- Once you turn on the controller for the first time, you can proceed to its further configuration. Being connected to the WiFi network emitted by the device, in the control panel of the wBox application select the device, then go to "Settings" (icon at the top-right corner of the screen).
- You can change the name of the device that is displayed in the wBox application. In addition, you can change the name and password of its generated WiFi network. Remember that changing the network name or password will disconnect the device immediately after you click the "Save" button, so re-connect to the device using the newly assigned network name and password.
- You can add the controller to your home WiFi network to control it through this home network or from anywhere in the World. To do this, in the "Connect" settings section, select a network name from the list and press "Connect". If is required, enter the WiFi network password. During the connection of the controller to your home network, the phone / tablet may be disconnected from the network. In this case, you will need to reconnect your phone / tablet to the controller network.
- Please remember that in order to control the device outside the local WiFi network, from anyplace in the World by using the wBox application, the option "Remote access enabled" in the controller settings must be set to "Yes".
- Once you've finished configuring the WiFi network, you can disconnect your phone/tablet from the controller network and connect your mobile device directly to your home WiFi network. The control from the wBox application will work the same way as when the phone / tablet is connected to the controller network. If the user leaves the local network, for example, leaving home or using the mobile data, the wBox application will signal this state as "Remote mode". In this case, the devices can be controlled, but for security reasons settings are not available.

TECHNICAL SPECIFICATIONS

| | |
|---|--|
| power supply | 1x230V (single phase) or 3x230V (three phase) |
| controller energy consumption | < 1W (standby) < 2W (power on) |
| measurement range | from -55°C to 125°C |
| measurement accuracy | ± 0,5°C in the range of -10°C to 85°C |
| the ability to control the temperature in the range | from -55°C to 125°C |

| | |
|----------------------------------|---|
| maximum load | 3 x 16A |
| maximum power | AC1 (resistive, power factor: 0.95): 3x (16A @ 230V AC) = 3x 3680W = ~ 11kW |
| inputs type | temperature probe |
| number of outputs | 3 |
| type of outputs | relay |
| galvanic isolation | no |
| signaling on the housing | colorful, illuminated front panel informing about the set temperature, current temperature, failure |
| controller signaling | blinking blue diagnostic diode (option to switch off in the controller settings) |
| type of probe | single wired waterproof probe, cable length 5m |
| number of buttons | 3 |
| buttons type | capacitive (touch sensor), illuminated, integrated |
| mounting method | integrated in the front panel |
| housing | surface junction box, controller covered with a polyurethane composition not containing halogens, self-extinguishing for thermal class B (130 °C) |
| dimensions | 129 x 89 x 57 mm (width x height x Length) |
| protection level | IP44 |
| controller operating temperature | from -20°C to +50°C |
| API | open |
| communication standard | µWiFi, compatible with WiFi, 802.11g |
| transmission type | bi-directional, encrypted |
| radio frequency | 2.4 GHz |
| mode | direct connection (as Access Point), Wi-Fi connection via a standard router, connection with access from any location in the world (requires only access to the Internet) |
| encryption | WPA2-PSK and authenticated encryption with associated data (AEAD) |
| compatible devices and systems | Apple iPhone, Apple iPad, iPad Mini, Android, computers and mobile devices supporting HTML5 |

ADDITIONAL INFORMATION

LOCATION AND TIME OF THE DEVICE, SCHEDULE

The controller has the ability to work according to a given schedule. To make this possible, set the device's time. Go to settings in the "Device time" section, click "Change timezone". Then select your region and location from the list, confirm your selection clicking the "Save" button. The device will synchronize its time with the server time (if the controller is in a WiFi network with access to Internet) or it will download time from the phone / tablet. It is recommended that the controller is always connected to a WiFi network with Internet access so that it can automatically synchronize its clock.

To be able to control devices using the local sunrise and sunset, you must also select the location of the controller. You can specify the location of the device using a smartphone or tablet. In the section "Device location", click "Set locations". Browser will ask whether to share locations - allow. In the "Coordinates" field, should appear the approximate coordinates of your location. If the "Set locations" button blinks red with the word "Error", or the "Coordinates" field did not change the value from "Not set" to numeric data, a failure has occurred during the location download. You should make sure that the phone / tablet has a GPS module and that the sharing location service is enabled on the phone.

Adding schedule entries can be performed by clicking the "Add item" button in the "Schedule" section of settings. You can select the days in which the task will be performed, the type of entry (at a specific time, or relative to sunrise / sunset - only having a correctly set location) and set the parameters of the task. The set tasks will be visible as a list, individual entries can be edited or deleted.

SOFTWARE UPDATE

To update the software in the controller, connect it to your home WiFi network (see "Access Point and WiFi settings" section) which is connected to the Internet. Go to "Settings" (icon at the top-right corner of the screen) and click the "Get new firmware" button in the final section on settings. Wait about 1 minute, do not close the interface and don't perform other actions. The device will download the latest software. The software version number, hardware version and device identifier can be read at the bottom of the settings screen.

for more information visit our website

www.blebox.eu

or send us an email to: info@blebox.eu

support is available at support@blebox.eu

made in Europe



proudly made by
blebox

