

Infrared control unit

IS1

P-IS1-T

INSTRUCTIONS FOR INSTALLATION AND USE

English

EN

DE

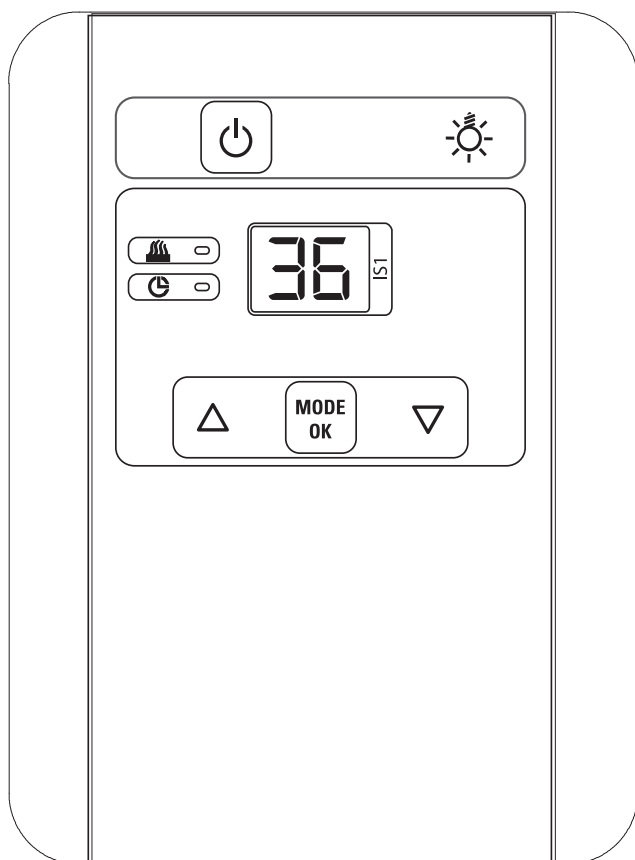


Table of Contents

1. About this instruction manual	3
2. Important information for your safety	4
2.1. Intended use	4
2.2. Safety information for the installer	5
2.3. Safety information for the user	6
3. Product description	7
3.1. Scope of delivery	7
3.2. Optional accessories	7
3.3. Product functions	7
4. Installation	8
4.1. Preparing for surface mounting	8
4.2. Preparing for recess mounting	9
4.3. Preparing the housing	9
5. Electrical connection	10
5.1. Removing the front cover	12
6. Final assembly	13
6.1. Final assembly - surface mounting	13
6.2. Final assembly - recess mounting	14
6.3. Fitting the sensor	15
7. Adjusting the heating time limit	16
8. Operation	17
8.1. Operating and display elements	17
8.2. Quick start	18
8.3. Description of the functions and control elements	19
9. Troubleshooting	21
10. Disposal	22
11. Technical data	22

1. About this instruction manual

Read these installation and operating instructions carefully and keep them within reach when using the infrared control unit. This ensures you can refer to information about safety and operation at any time.



The current installation and operating instructions can also be found in the downloads section of our website: www.mediabank.harvia.com.

Symbols used for warnings

These installation and operating instructions feature warning symbols next to activities presenting a hazard to the user. Warning symbols must be observed at all times. This prevents damage to property and injuries, which in the worst case may be fatal.

The warning symbols contain keywords with the following meanings:



DANGER!

Serious or fatal injury will occur if this warning symbol is not observed.



WARNING!

Serious or fatal injury may occur if this warning symbol is not observe.



CAUTION!

Minor injuries may occur if this warning symbol is not observed.

ATTENTION!

This keyword is a warning that damage to property may occur.

Other symbols



This symbol indicates tips and useful information.

2. Important information for your safety

The IS1 infrared control unit has been produced in accordance with the safety regulations applicable for technical units. However, hazards may occur during use. You should therefore adhere to the following safety information and the specific warnings in the individual chapters.

2.1. Intended use

The IS1 infrared control unit is used to control and regulate the interior temperature and to operate the cabin light. The infrared control unit may only be used for controlling one heating circuit with a maximum capacity of 3.0 kW.

Suitable infrared heaters: DIR-350-R, WIR-350-R, DIR-500-R, WIR-500-R, DIR-750-R, WIR-750-R, DIR-1300-R, WIR-1300-R, ECO-350-R, ECO-350-G, ECO-500-R, ECO-500-G, ECO-750-R, O-IRC-W

Suitable infrared plates: IR-WP-175, IR-WP-100, IR-WP-390, IR-WP-510, IR-WPHL-510, IR-WPHL-100, IR-WPHL-390, IR-WPHL-175

- ▶ Only in connection with the optional P-ISX-FF foil sensor.

Any use exceeding this scope is considered improper. Improper use can result in damage to the product, severe injuries or death.

2.2. Safety information for the installer

- Installation may only be performed by a qualified electrician or similarly qualified person.
- Installation and connection of the infrared control unit may only be performed when the power supply is disconnected.
- The temperature sensor must be mounted in such a way that ensures it is unaffected by the inflow of air.
- Observe all regulations applicable at the installation location.
- For your own safety, consult your supplier in the event of problems that are not explained in sufficient detail in the installation instructions.

2.3. Safety information for the user

- The device must not be used by children under 8 years old.
- The device may only be used by children over 8 years old, by persons with limited psychological, sensory or mental capabilities or by persons with lack of experience/knowledge under the following conditions:
 - When they are supervised.
 - When they have been shown how to use the device safely and are aware of the hazards that could occur.
- Children must not play with the device.
- Children under 14 years old may only clean the device if they are supervised.
- For health reasons, do not use the infrared cabin if you are under the influence of alcohol, medication or drugs.
- Make sure that no flammable objects have been placed on or in front of the infrared heater or infrared heat plate before the infrared control unit is switched on.
- For your own safety, consult your supplier in the event of problems that are not described in sufficient detail in the operating instructions.

3. Product description

3.1. Scope of delivery

- IS1 infrared control unit
- 1.6 m mains connection cable
- 1.5 m room sensor with silicone cable
- Installation material
- Instructions for installation and use

3.2. Optional accessories

- IR-IS-A03 Adapter cable for heaters and heat plates (0.3 m)
- IR-IS-A25 Adapter cable for heaters and heat plates (2.5 m)
- IR-1P2 T-splitter, 2-way
- IR-1P3 Splitter, 3-way
- IR-1P5 Splitter, 5-way
- P-ISX-FF Foil sensor incl. 3 m cable
- P-ISX-FUSE Fine fuse connection for light
- O-F2 Room sensor

EN

3.3. Product functions

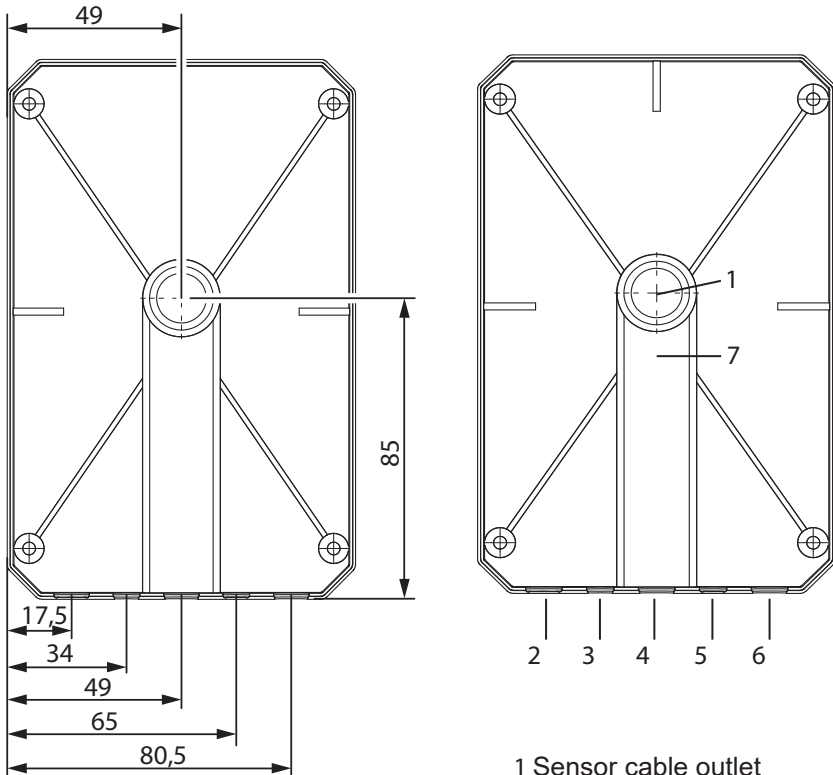
The IS1 infrared control unit is used to regulate the cabin temperature using a room sensor. Settings can be made for the target temperature, duration and light using the operating elements. The current temperature is shown on the display. 1 heating circuit for a max. capacity of 3.0 kW enables the connection of infrared heaters and infrared heat plates.

4. Installation

The infrared control unit can either be surface-mounted or recess mounted.

4.1. Preparing for surface mounting

To mount the control unit on a surface, you need to make cable bushings in the cabin wall. Refer to the following figure for the positions.



► **Caution:** If the cable is fed downwards through the cable shaft 7, the sensor cable must be fitted with additional protective insulation.

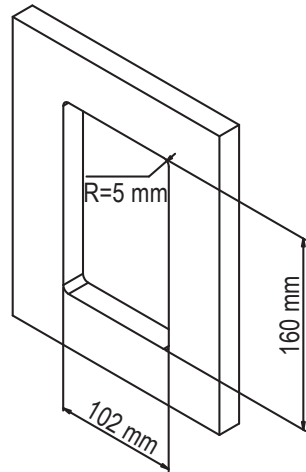
- 1 Sensor cable outlet
- 2 Mains power line
- 3 Heater/foils outlet
- 4 Free
- 5 Free
- 6 Light outlet
- 7 Cable shaft

4.2. Preparing for recess mounting


Mounting the control unit in a recess requires a cut-out section.

- Cut-out section size: 160 mm x 102 mm
- Mounting depth: 39.5 mm

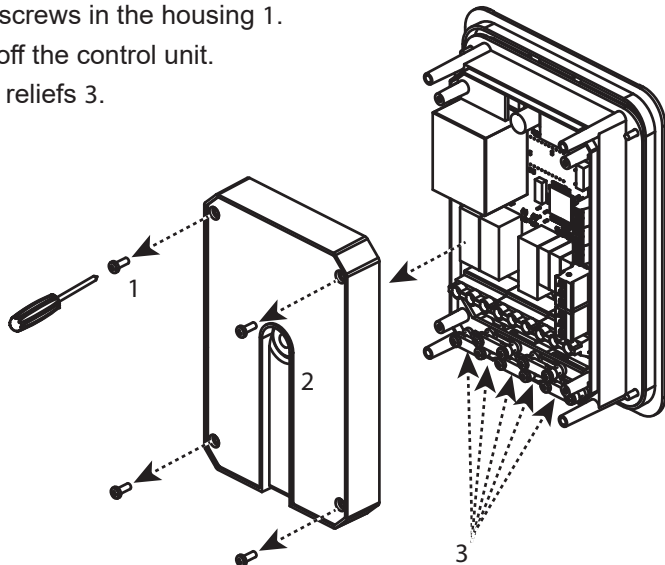
► Ensure that the control unit has sufficient rear ventilation!



4.3. Preparing the housing

 Work on the housing must only be carried out using a standard screwdriver. Using a cordless screwdriver may cause irreparable damage to the housing.

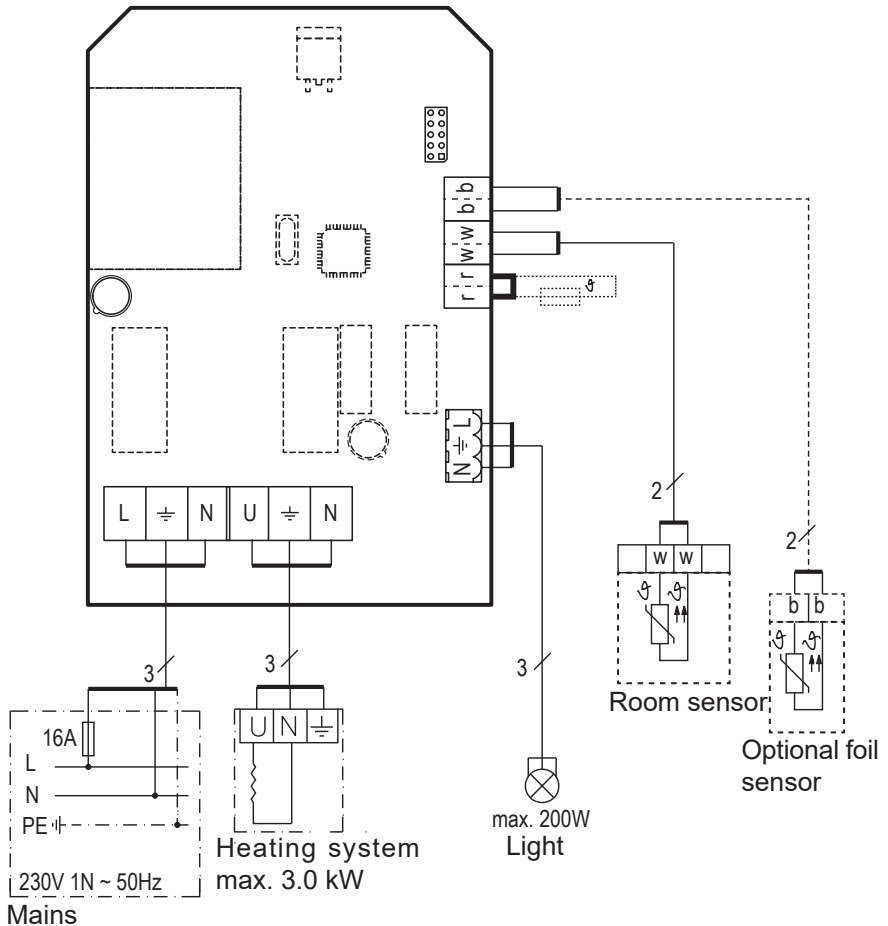
- Remove the four screws in the housing 1.
- Take the cover 2 off the control unit.
- Loosen the strain reliefs 3.



5. Electrical connection

Before mounting the control unit, the electrical connections must be completed. Observe the following points when connecting the power:

- Installation may only be performed by a qualified electrician or similarly qualified person.
- Make sure that the connection cables are properly fitted in the terminals. Poorly fitted cables heat up quickly and can result in irreparable damage and fire.



1. Guide the connection cable for the room sensor through the cable bushing in the middle of the housing cover. Do not, under any circumstances, guide the sensor cables through the existing openings at the bottom.
2. The inlet and outlet for the heating system and lighting are fed out at the bottom of the housing.
3. Connect all cables and lines to the control unit according to the connection diagram.
4. Reattach the strain reliefs which were loosened under **point 4.3. Preparing the housing on page 9**.



There is an ex-works wire jumper at the terminal marked “r” (excess temperature). This should only be removed if a temperature sensor with safety temperature limiter is connected. The sensor included in the delivery does not have a safety temperature limiter.

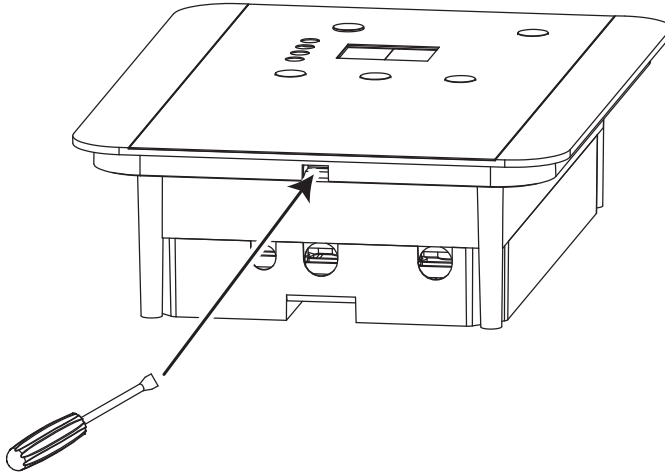


Foil sensor: the foil sensor is only required for the operation of infrared foils and infrared heat plates. If a foil sensor is connected to the control unit, the maximum cabin temperature is limited to 50° C.

At the “b - b” terminals, a resistor is fitted ex-works. This may only be removed if a foil sensor is connected.

5.1. Removing the front cover

The front cover must be removed to mount the controller on the wall. To do this, use a flat screwdriver.



- Insert the screwdriver into the hole provided at the bottom edge of the control unit.
- The cover is held on by a clip. Press this inwards carefully until the cover loosens.
- Now remove the cover from the control unit.

Once the control module has been mounted on the wall, replace the cover.

- First fit the upper edge of the cover into the control unit housing.
- Then press the bottom against the housing until the cover clicks into place again.

6. Final assembly

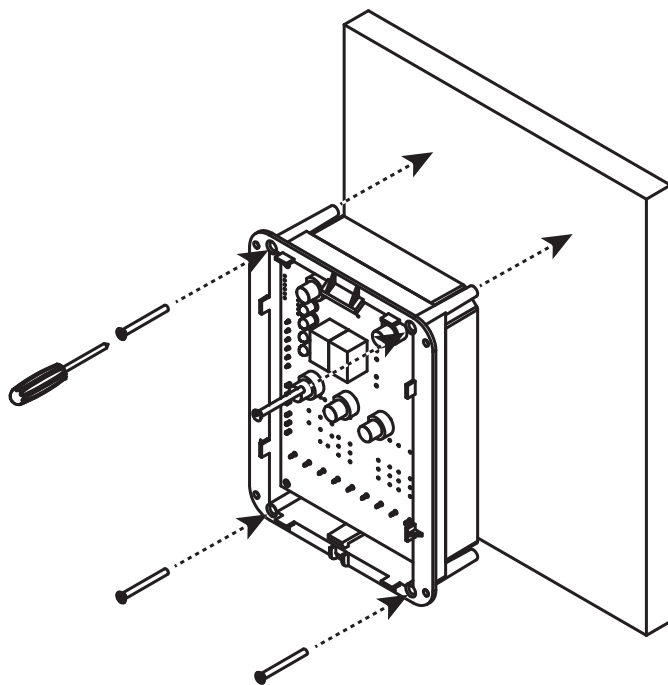
After all the electrical connections have been made, the control unit can be mounted.



Work on the housing must only be carried out with a screwdriver. Using a cordless screwdriver may cause irreparable damage to the housing.

6.1. Final assembly - surface mounting

To attach the control unit, use the 50 mm screws included in the delivery. Do not use screws with a larger diameter. This could damage the housing irreparably.



EN

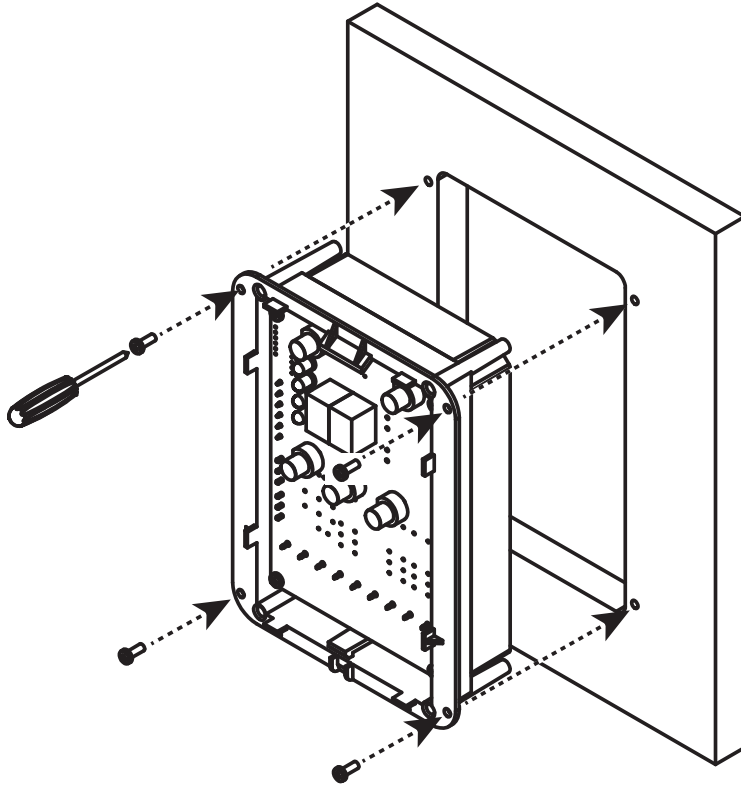


DANGER!

When tightening the screws, be careful not to damage any cables in the wall. This can lead to severe damage and injury.

6.2. Final assembly - recess mounting

For recess mounting the control unit is placed in a wall cut-out section and attached using the 16 mm Torx screws included.

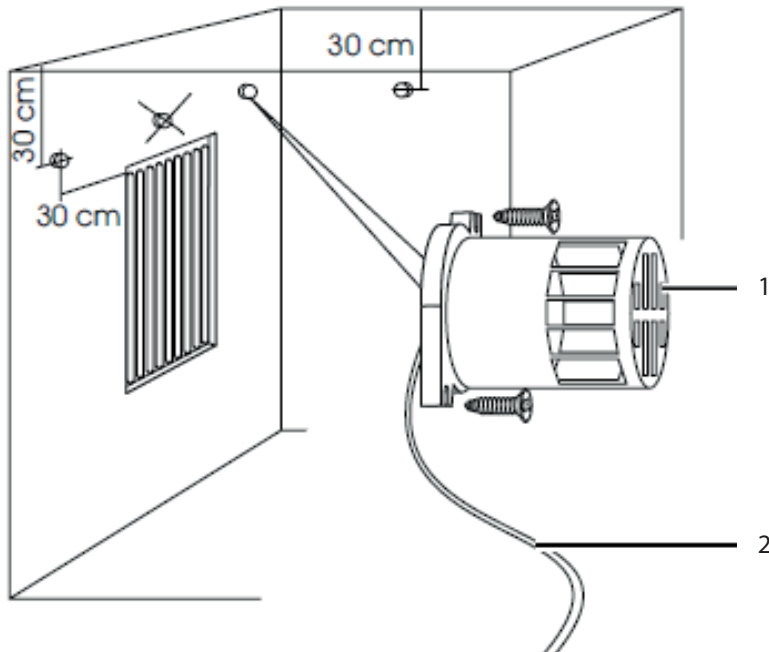


DANGER!

When tightening the screws, be careful not to damage any cables in the wall. This can lead to severe damage and injury.

6.3. Fitting the sensor

The room sensor is fitted in the infrared cabin about 30 cm below the ceiling or according to the cabin manufacturer's instructions.



CAUTION - incorrect readings: If the room sensor is fitted too near the heater, it will produce incorrect measured values. Maintain a minimum horizontal distance of approx. 30 cm to the heater and approx. 30 cm to the cabin ceiling. Do not fit the room sensor above the infrared heating rods.

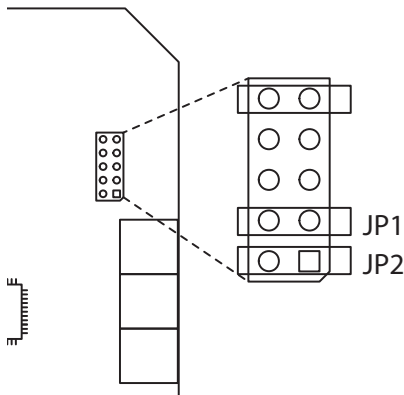
- Attach room sensor 1 to the cabin wall using the two 16 mm wood screws included.
- Lay the 2-pin cable 2 in the cabin wall and secure with cable ties.

7. Adjusting the heating time limit

The heating time limit for the control unit is set at the factory to 99 minutes. This can be extended up to 24 hours by setting the jumper as described below. The jumper set is available as an accessory under the order number O-JUMP.



Heating time settings can only be made to the exact minute for operating times of up to 99 minutes. From 99 minutes to 9.9 hours, the operating time can be set with a precision of 0.1 of an hours (6 minutes). After this, only in 1 hour increments.



<i>Operating time</i>	<i>Jumper</i>
99 minutes	none
6 hours	JP1
12 hours	JP2
24 hours	JP1 + JP2



ATTENTION!

For domestic use, the heating time limit may be extended to a maximum of 6 hours. The provisions of EN 60335-2-53 must be observed for heating time limits of more than 6 hours.

8. Operation

8.1. Operating and display elements

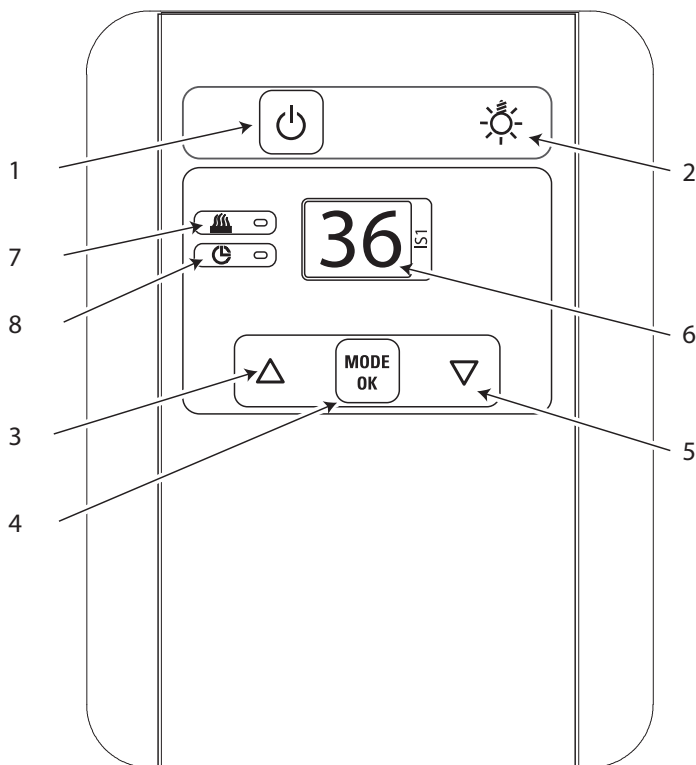


Fig. 1: Operating and display elements

Operating elements:

- 1 On/Off button
- 2 Light
- 3 + button
- 4 Mode/OK button
- 5 - button

Display elements:

- 6 Temperature and operating time display
- 7 Temperature selection
- 8 Operating time selection

8.2. Quick start

- Press button 1 to switch on the control unit.
 - ▶ The current cabin temperature appears in display 6 and display 7 lights up. You can adjust the required temperature with buttons 3 and 5. While you are making the setting, display 6 flashes.
 - ▶ Press button 4 to confirm the temperature and display 6 indicates the current temperature in the cabin.



Note: If no button is pressed for more than 5 seconds, the control unit automatically uses the target temperature.

- Now press button 4 to switch to the time symbol 8.
 - ▶ Press buttons 3 and 5 to set the required operating time.
 - ▶ Press button 4 to confirm the setting or wait until the control unit makes the setting automatically.
 - ▶ The display now shows the remaining operating time.



Note: Press button 4 to switch between the symbols 7 and 8. The display then shows the respective value:

- Symbol 7: current cabin temperature
 - Symbol 8: remaining operating time
-



Note: Press button 1 to enable the control unit to save the settings when switched off. When the control unit is switched on again with button 1 the previous settings are retrieved again.

8.3. Description of the functions and control elements

Observe **Fig. 1:Operating and display elements on page 17.**

- **On/Off button 1**

Use this button to switch the control unit on and off (standby). If the operating time and temperature have already been set, the control units starts immediately with the previously selected settings. The settings are saved when switching to standby.

- **Light button 2**

Here you can switch on the cabin light at any time. even if the control unit is in standby. The cabin light also stays on once the operating time has elapsed.

- **+ button 3**

Press this button to increase the value of the selected option. Hold down the button to increase the value more quickly. As soon as you press the button, the display begins to flash and the target value is shown.

- **Mode/OK button 4**

You can switch between the displays for temperature and the operating time with this button. The current value is displayed. You can also press this button to confirm the target value.

- **- button 5**

Press this button to decrease the value of the selected option. Hold down the button to increase the value more quickly. As soon as you press the button, the display begins to flash and the target value is shown.

- **Temperature and duration display 6**

When the display is lit up permanently it shows the respective current value. The target value is displayed when you press button 3 or 5. The display flashes until you press button 4 or the value is set automatically after 5 seconds. Then the display is lit up permanently and the actual value is shown again.

● Temperature selector 7

Here you can set the required temperature. Press buttons 3 and 5 to make the setting. While the target temperature is being displayed, display 6 flashes. You can now confirm the set value by pressing 4 or wait 5 seconds until the value is set automatically.

- ▶ Minimum value: 30° C
- ▶ Maximum value: 70° C for heater mode, 50° C for foil mode

● Operating time selection 8

Here you can set the required operating time. Press buttons 3 and 5 to make the setting. While the required operating time is being displayed, display 6 flashes. You can now confirm the set value by pressing 4 or wait 5 seconds until the value is set automatically.



Note: The maximum operating time is restricted by the heating time limit. See also **7. Adjusting the heating time limit on page 16.**

<i>Operating time</i>	<i>Setting precision</i>
< 99 minutes	1 minute
99 minutes - 9.9 hours	0.1 hours (6 minutes)
> 9.9 hours	1 hour

9. Troubleshooting

The infrared control unit is equipped with diagnostic software which monitors the system status when switching on and during operation. As soon as the diagnostic software identifies an error, the infrared control unit switches the heating system off.

<i>Error</i>	<i>Description</i>	<i>Cause / rectification</i>
E1	Safety temperature limiter	The sensor included in the delivery does not have a safety temperature limiter. Check that the ex-works wire jumper is secure.
E3	Room sensor interruption	Check the cabin sensor cable for damage and that the terminal points are connected properly
E4	Room sensor short-circuit	Check the cabin sensor cable for damage.
E5	Foil sensor interruption	If you are not using foils or heating plates, the ex-works dummy sensor must stay in position. If you are using a foil sensor, check the cable for damage and check that the terminals are connected properly.
E6	Foil sensor short-circuit	If you are using a foil sensor, check the cable for damage and check that the terminals are connected properly.
E7	Foil excess temperature	If you are not using foils or heating plates, the ex-works dummy sensor must stay in position. If you are using a foil sensor, check the cable for damage and check that the terminals are connected properly.

- **If the error still persists despite performing the measures described above, please contact your supplier.**

10. Disposal



- Dispose of packaging materials in accordance with the applicable disposal regulations.
- Used devices contain reusable materials, as well as hazardous substances. Do not dispose of your used device with household waste, but do so in accordance with the locally applicable regulations.

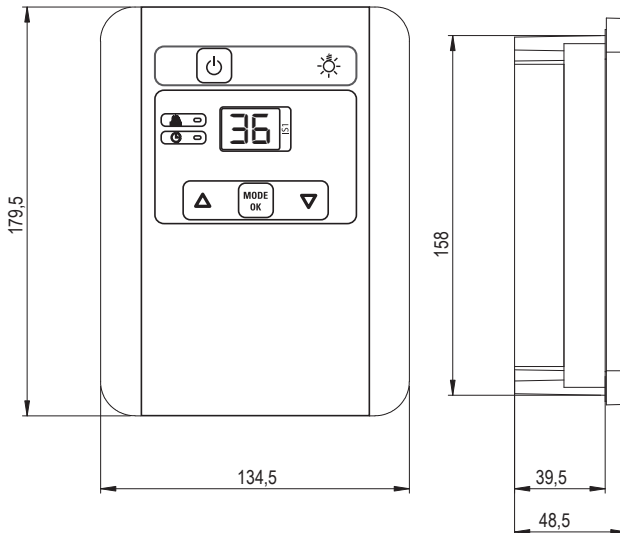
11. Technical data

General information

Power supply:	230 V AC ~ 1N PE
Maximum switching load of the heating system:	3.0 kW, 16A
Maximum switching load of the light:	0.8 A
Power consumption of the operation:	3 W
Power consumption of the standby:	1 W

Ambient conditions

Ambient temperature:	0° C - 70° C
Air humidity:	max. 99% rel.

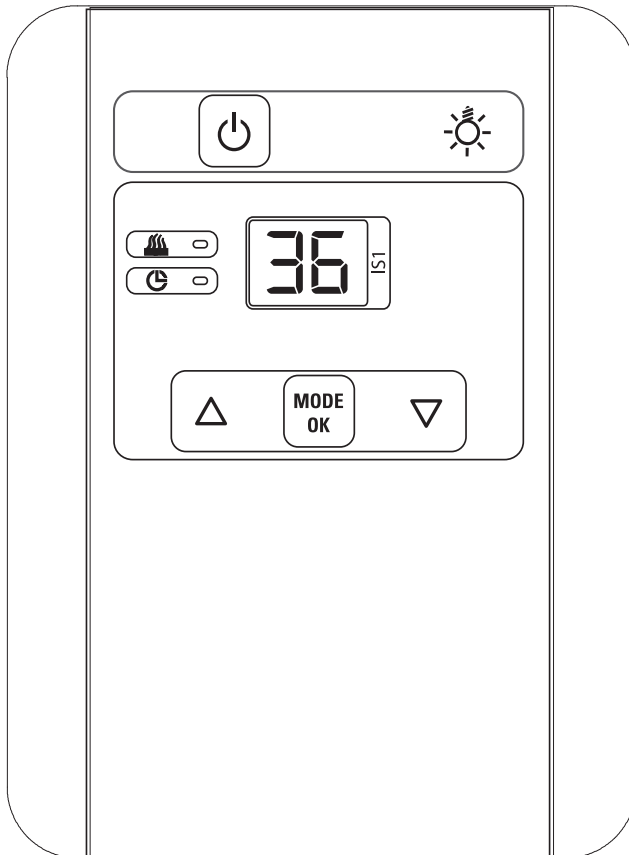


Infrarotsteuerung

IS1

P-IS1-T

MONTAGE- UND GEBRAUCHSANWEISUNG
Deutsch



DE

Inhaltsverzeichnis

1. Zu dieser Anleitung	3
2. Wichtige Hinweise zu Ihrer Sicherheit	4
2.1. Bestimmungsgemäßer Gebrauch	4
2.2. Sicherheitshinweise für den Monteur	5
2.3. Sicherheitshinweise für den Anwender	6
3. Produktbeschreibung	7
3.1. Lieferumfang	7
3.2. Optionales Zubehör	7
3.3. Produktfunktionen	7
4. Montage	8
4.1. Vorbereiten der Montage - Aufputz	8
4.2. Vorbereitung der Montage - versenkte Montage	9
4.3. Gehäuse vorbereiten	9
5. Elektrischer Anschluss	10
5.1. Abnehmen des vorderen Deckels	12
6. Endmontage	13
6.1. Endmontage - Aufputz	13
6.2. Endmontage - versenkte Montage	14
6.3. Fühlermontage	15
7. Ändern der Heizzeitbegrenzung	16
8. Bedienung	17
8.1. Bedien- und Anzeigeelemente	17
8.2. Schnellstart	18
8.3. Beschreibung der Funktionen und Bedienelemente	19
9. Problemlösung	21
10. Entsorgung	22
11. Technische Daten	22

1. Zu dieser Anleitung

Lesen Sie diese Montage- und Gebrauchsanweisung gut durch und bewahren Sie sie in der Nähe der Infrarotsteuerung auf. So können Sie jederzeit Informationen zu Ihrer Sicherheit und zur Bedienung nachlesen.



Sie finden die aktuellen Montage- und Gebrauchsanweisungen im Downloadbereich unserer Webseite auf www.mediabank.harvia.com.

Symbole in Warnhinweisen

In dieser Montage- und Gebrauchsanweisung ist vor Tätigkeiten, von denen eine Gefahr ausgeht, ein Warnhinweis angebracht. Befolgen Sie diese Warnhinweise unbedingt. So vermeiden Sie Sachschäden und Verletzungen, die im schlimmsten Fall sogar tödlich sein können.

In den Warnhinweisen werden Signalwörter verwendet, die folgende Bedeutungen haben:



GEFAHR!

Wenn Sie diesen Warnhinweis nicht beachten, sind Tod oder schwere Verletzungen die Folge.



WARNUNG!

Wenn Sie diesen Warnhinweis nicht beachten, können Tod oder schwere Verletzungen die Folge sein.



VORSICHT!

Wenn Sie diesen Warnhinweis nicht befolgen, können leichte Verletzungen die Folge sein.

ACHTUNG!

Dieses Signalwort warnt Sie vor Sachschäden.

Andere Symbole



Dieses Symbol kennzeichnet Tipps und nützliche Hinweise.

2. Wichtige Hinweise zu Ihrer Sicherheit

Die Infrarotsteuerung IS1 ist nach anerkannten sicherheitstechnischen Regeln gebaut. Dennoch können bei der Verwendung Gefahren entstehen. Befolgen Sie deshalb die folgenden Sicherheitshinweise und die speziellen Warnhinweise in den einzelnen Kapiteln.

2.1. Bestimmungsgemäßer Gebrauch

Die Infrarotsteuerung IS1 dient zur Steuerung und Regeln der Innenraumtemperatur sowie zur Bedienung des Kabinenlichts. Die Infrarotsteuerung darf nur zum Steuern von einem Heizkreis mit einer Leistung von max. 3,0 kW verwendet werden.

Geeignete Infrarotstrahler: DIR-350-R, WIR-350-R, DIR-500-R, WIR-500-R, DIR-750-R, WIR-750-R, DIR-1300-R, WIR-1300-R, ECO-350-R, ECO-350-G, ECO-500-R, ECO-500-G, ECO-750-R, O-IRC-W

Geeignete Infrarotplatten: IR-WP-175, IR-WP-100, IR-WP-390, IR-WP-510, IR-WPHL-510, IR-WPHL-100, IR-WPHL-390, IR-WPHL-175

- ▶ Nur in Verbindung mit dem optionalen Folienfühler P-ISX-FF.

Jeder darüber hinausgehende Gebrauch gilt als nicht bestimmungsgemäß. Nicht bestimmungsgemäßer Gebrauch kann zur Beschädigung des Produkts, zu schweren Verletzungen oder Tod führen.

2.2. Sicherheitshinweise für den Monteur

- Die Montage darf nur durch eine Elektrofachkraft oder eine vergleichsweise qualifizierte Person ausgeführt werden.
- Montage- und Anschlussarbeiten an der Infrarotsteuerung dürfen nur im spannungsfreien Zustand durchgeführt werden.
- Der Temperaturfühler ist so anzubringen, dass er nicht durch einströmende Luft beeinflusst wird.
- Beachten Sie auch die örtlichen Bestimmungen am Aufstellort.
- Bei Problemen, die in den Montageanweisungen nicht ausführlich genug behandelt werden, wenden Sie sich zu Ihrer eigenen Sicherheit an Ihren Lieferanten.

2.3. Sicherheitshinweise für den Anwender

- Das Gerät darf nicht von Kindern unter 8 Jahren verwendet werden.
- Das Gerät darf von Kindern über 8 Jahren, von Personen mit verringerten psychischen, sensorischen oder mentalen Fähigkeiten und von Personen mit Mangel an Erfahrung und Wissen unter folgenden Bedingungen verwendet werden:
 - wenn sie beaufsichtigt werden.
 - wenn ihnen die sichere Verwendung gezeigt wurde und sie die Gefahren, die entstehen können, verstehen.
- Kinder dürfen nicht mit dem Gerät spielen.
- Kinder unter 14 Jahren dürfen das Gerät nur reinigen, wenn sie beaufsichtigt werden.
- Wenn Sie unter dem Einfluss von Alkohol, Medikamenten oder Drogen stehen, verzichten Sie aus gesundheitlichen Gründen auf die Benutzung der Infrarotkabine.
- Stellen Sie sicher, dass keine brennbaren Gegenstände auf oder vor dem Infrarot-Strahler bzw. der Infrarot-Wärmeplatte liegen, bevor Sie die Infrarotsteuerung einschalten.
- Bei Problemen, die in der Gebrauchsanweisung nicht ausführlich genug behandelt werden, wenden Sie sich zu Ihrer eigenen Sicherheit an Ihren Lieferanten.

3. Produktbeschreibung

3.1. Lieferumfang

- Infrarotsteuerung IS1
- Netzanschlussleitung 1,6 m
- Raumfühler mit Silikonleitung 1,5 m
- Montagematerial
- Montage- und Gebrauchsanweisung

3.2. Optionales Zubehör

- IR-IS-A03 Adapterleitung für Strahler und Wärmeplatten (0,3 m)
- IR-IS-A25 Adapterleitung für Strahler und Wärmeplatten (2,5 m)
- IR-1P2 T-Verteiler 2-fach
- IR-1P3 Verteiler 3-fach
- IR-1P5 Verteiler 5-fach
- P-ISX-FF Folienfühler inkl. Kabel 3 m
- P-ISX-FUSE Feinsicherungseinsatz für Licht
- O-F2 Raumfühler

3.3. Produktfunktionen

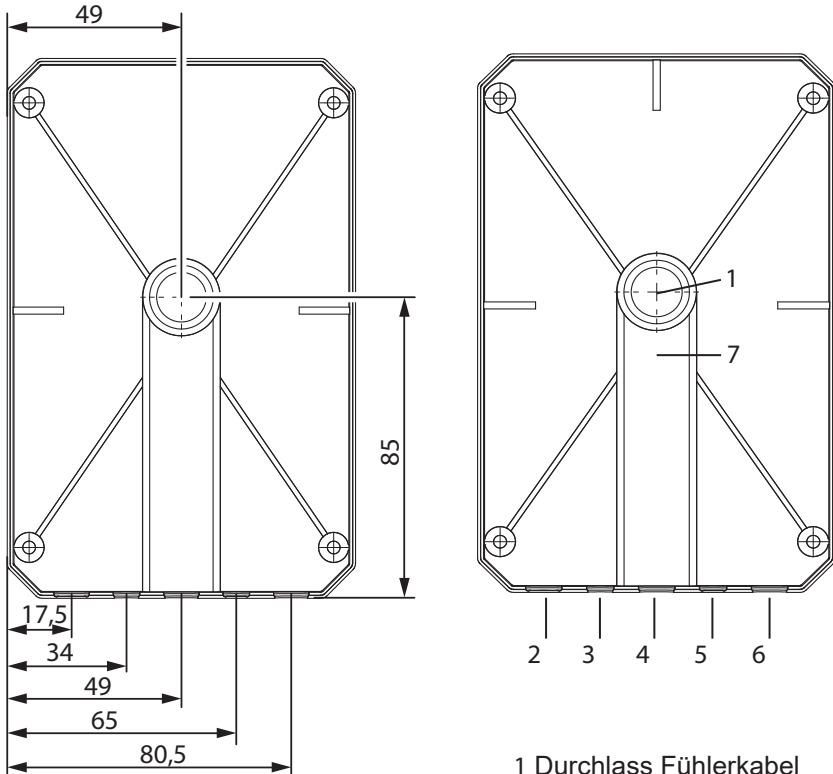
Die Infrarotsteuerung IS1 dient zum Regeln der Kabinentemperatur über den Raumfühler. Über die Bedienelemente können Einstellungen wie Soll-Temperatur, Laufzeit und Licht vorgenommen werden. Die aktuelle Ist-Temperatur wird am Display angezeigt. 1 Heizkreis für max. 3,0 kW Leistung ermöglicht den Anschluss von Infrarot-Strahlern und/oder Infrarot-Wärmeplatten.

4. Montage

Die Infrarotsteuerung kann wahlweise aufputz oder versenkt montiert werden.

4.1. Vorbereiten der Montage - Aufputz

Um die Steuerung aufputz zu montieren sind Kabeldurchführungen in der Kabinenwand vorzusehen. Die Positionen entnehmen Sie der nachfolgenden Abbildung.



► **Achtung:** Wenn die Kabel über den Kabelschacht 7 nach unten geführt werden, muss dafür gesorgt werden, dass die Fühlerkabel mit einer zusätzlichen Schutzisolation versehen werden.

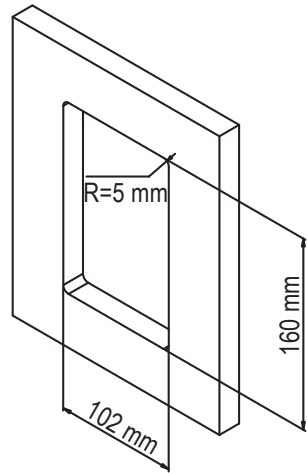
- 1 Durchlass Fühlerkabel
- 2 Netzzuleitung
- 3 Abgang Strahler/Folien
- 4 Frei
- 5 Frei
- 6 Abgang Licht
- 7 Kabelschacht

4.2. Vorbereitung der Montage - versenkte Montage


Um die Steuerung in der Wand zu versenken, wird ein Ausschnitt benötigt.

- Abmessungen Ausschnitt: 160 mm x 102 mm
- Einbautiefe: 39,5 mm

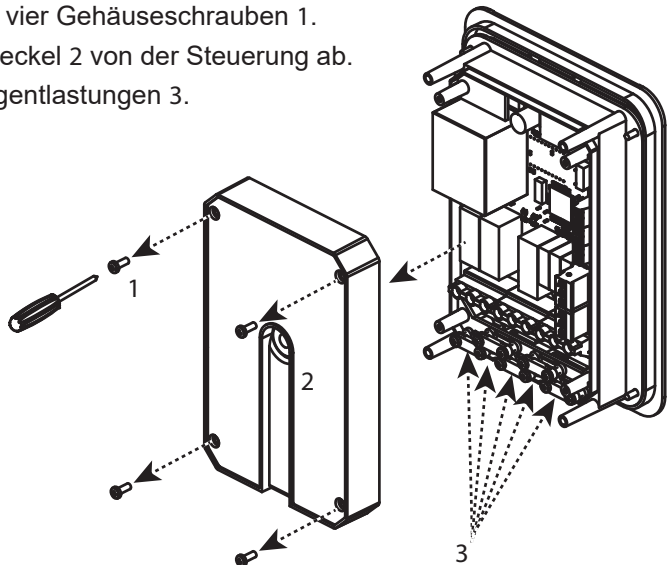
► Sorgen Sie für ausreichend Hinterlüftung der Steuerung!



4.3. Gehäuse vorbereiten

 Arbeiten am Gehäuse dürfen nur mit einem normalen Schraubendreher durchgeführt werden. Bei der Verwendung eines Akkuschraubers besteht die Gefahr, dass das Gehäuse irreparabel beschädigt wird.

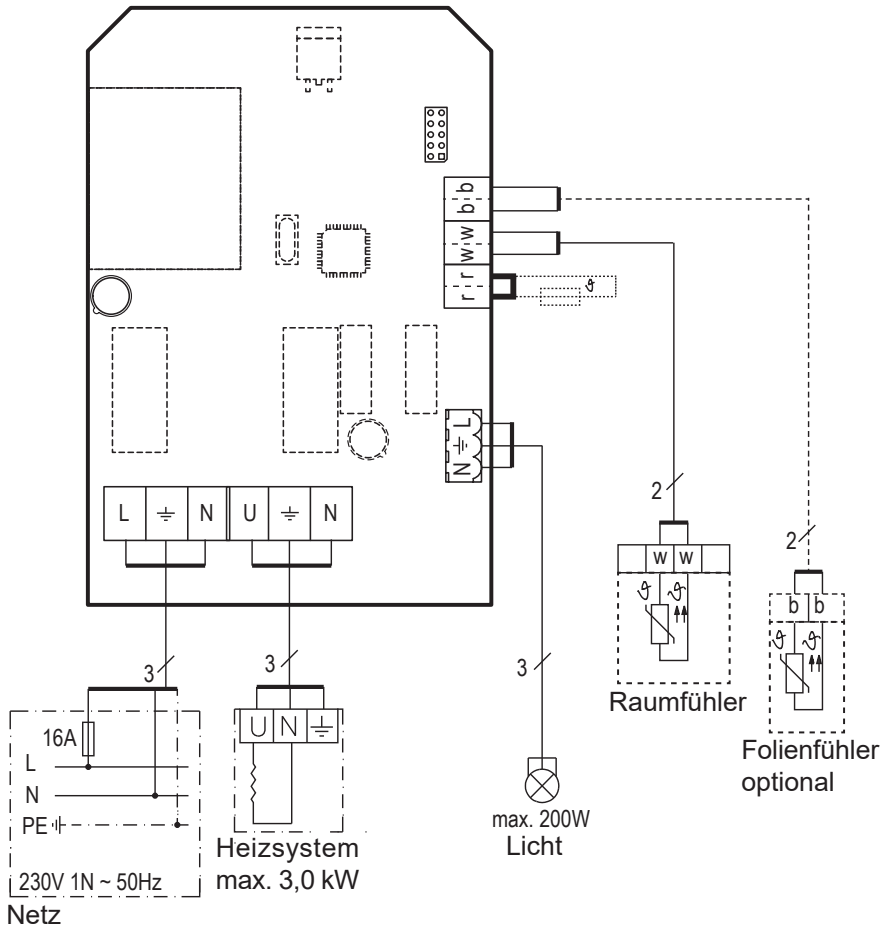
- Entfernen Sie die vier Gehäuseschrauben 1.
- Ziehen Sie den Deckel 2 von der Steuerung ab.
- Lösen Sie die Zugentlastungen 3.



5. Elektrischer Anschluss

Bevor die Steuerung montiert wird muss der elektrische Anschluss fertiggestellt werden. Beachten Sie beim elektrischen Anschluss folgende Punkte:

- Die Montage darf nur durch eine Elektrofachkraft oder eine vergleichsweise qualifizierte Person ausgeführt werden.
- Achten Sie darauf, dass die Anschlusskabel sauber in den Klemmen sitzen. Schlecht geklemmte Kabel erwärmen sich stark und können zu irreparablen Schäden und Brand führen.



1. Führen Sie die Anschlussleitung des Raumfühlers durch die Durchführung in der Mitte des Gehäusedeckels. Keinenfalls dürfen die Fühlerleitungen durch die an der Unterseite vorhandenen Öffnungen geführt werden.
2. Die Zuleitung sowie die Abgänge für Heizsystem und Licht werden an der Unterseite des Gehäuses heraus geführt.
3. Schließen Sie alle Kabel und Leitungen lt. Anschlussplan an die Steuerung an.
4. Bringen Sie die unter **Punkt 4.3. Gehäuse vorbereiten** auf **Seite 9** gelösten Zugentlastungen wieder an.



An den mit „r“ gekennzeichneten Klemmen (Übertemperatursicherung) befindet sich werkseitig eine Drahtbrücke. Diese muss nur dann entfernt werden, wenn ein Temperaturfühler mit Sicherheitstemperaturbegrenzer angeschlossen wird. Der im Lieferumfang enthaltene Fühler hat keinen Sicherheitstemperaturbegrenzer.

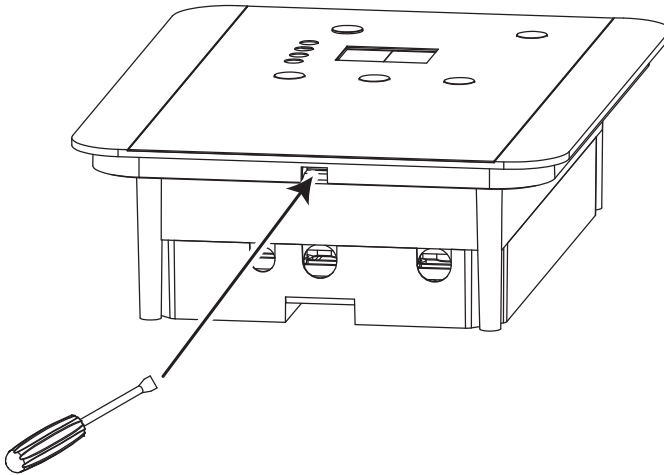


Folienfühler: der Folienfühler wird nur für den Betrieb von Infrarotfolien und Infrarot Wärmeplatten benötigt. Ist ein Folienfühler an der Steuerung angeschlossen so wird die maximale Kabinentemperatur auf 50° C begrenzt.

An den Klemmen „b - b“ ist werkseitig ein Widerstand angebracht. Dieser ist nur dann zu entfernen, wenn ein Folienfühler angeschlossen wird.

5.1. Abnehmen des vorderen Deckels

Um die Steuerung an der Wand zu befestigen muss der vordere Deckel abgenommen werden. Verwenden Sie dazu einen flachen Schraubendreher.



- Führen Sie den Schraubendreher in die vorgesehene Öffnung an der Unterkante der Steuerung.
- Der Deckel wird von einem Schnapphaken gehalten. Drücken Sie diesen vorsichtig nach innen bis sich der Deckel löst.
- Nehmen Sie nun den Deckel von der Steuerung ab.

Nachdem das Bedienteil an der Wand befestigt wurde, muss der Deckel wieder aufgesetzt werden.

- Hängen Sie den Deckel zuerst an seiner Oberkante in das Steuerungsgehäuse ein.
- Drücken Sie nun die Unterseite gegen das Gehäuse bis der Deckel wieder einrastet.

6. Endmontage

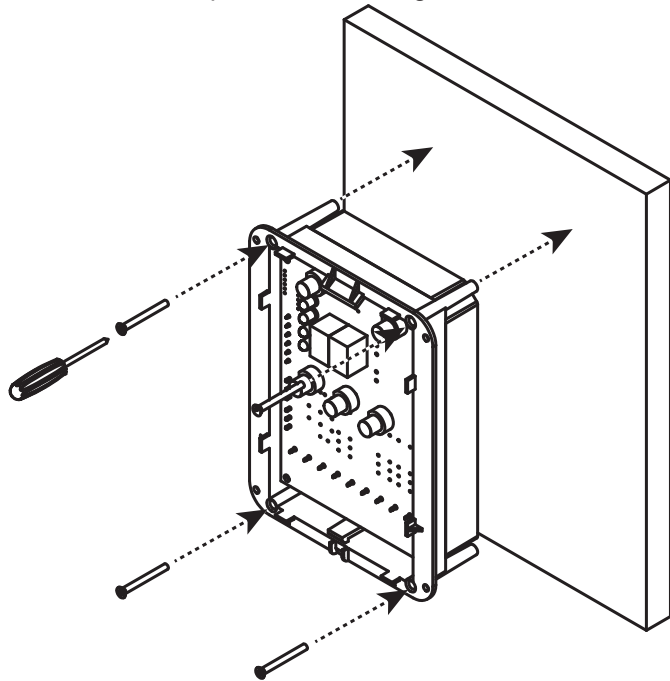
Nachdem alle elektrischen Anschlüsse hergestellt sind kann die Steuerung montiert werden.



Arbeiten am Gehäuse dürfen nur mit einem Schraubendreher durchgeführt werden. Bei der Verwendung eines Akkuschraubers besteht die Gefahr, dass das Gehäuse irreparabel beschädigt wird.

6.1. Endmontage - Aufputz

Zum Befestigen der Steuerung verwenden Sie die im Lieferumfang enthaltenen 50 mm Schrauben. Verwenden Sie keinesfalls Schrauben mit größeren Durchmesser. Dies kann das Gehäuse irreparabel beschädigen.



DE

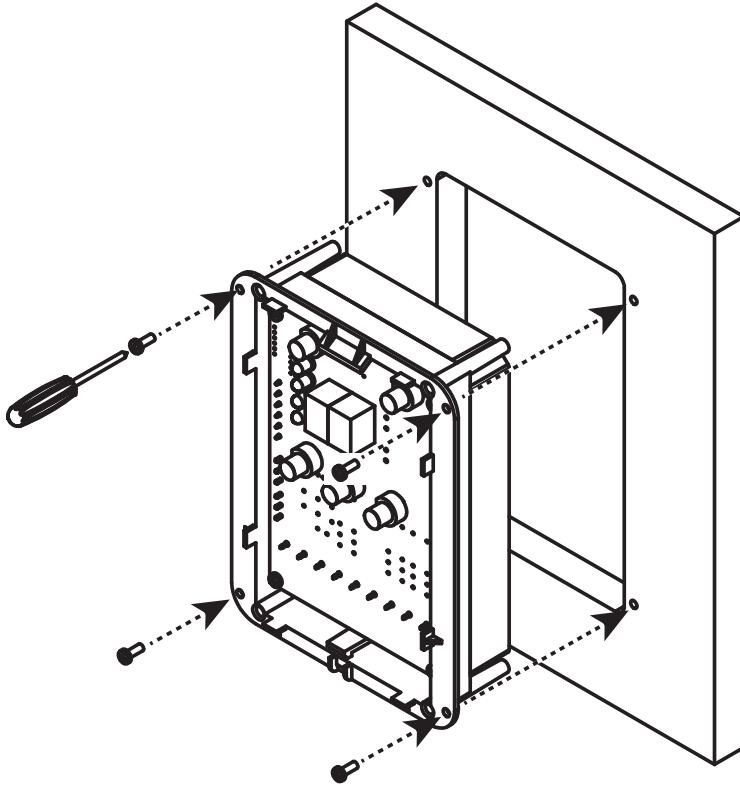


GEFAHR!

Achten Sie beim Eindrehen der Schrauben darauf, keine in der Wand verlegten Kabel zu beschädigen. Dies kann zu schweren Personen- und Sachschäden führen.

6.2. Endmontage - versenkte Montage

Für die versenkte Montage wird die Steuerung in den Wandausschnitt gesetzt und mit den im Lieferumfang enthaltenen 16 mm Torx-Schrauben befestigt.

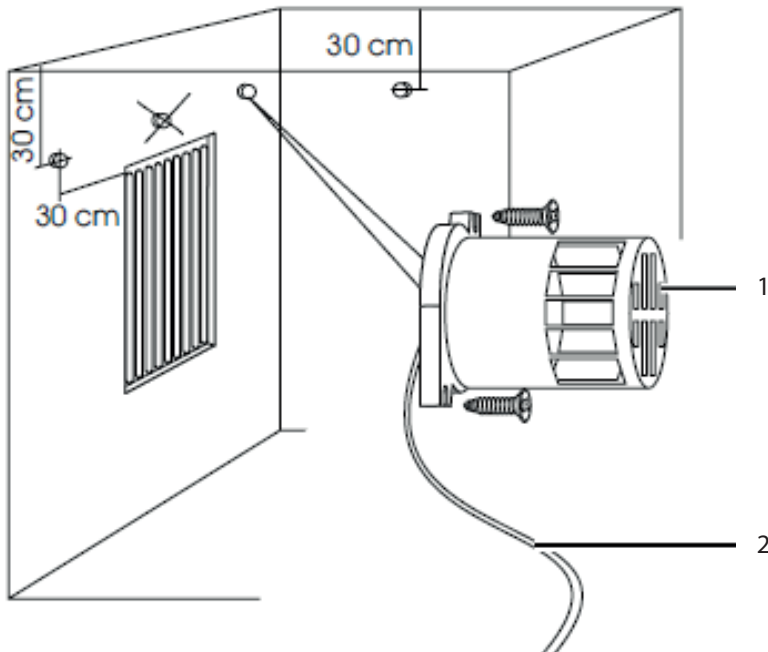


GEFAHR!

Achten Sie beim Eindrehen der Schrauben darauf keine, in der Wand verlegten Kabel zu beschädigen. Dies kann zu schweren Personen- und Sachschäden führen.

6.3. Fühlermontage

Der Raumfühler wird in der Infrarotkabine ca. 30 cm unterhalb der Decke oder nach Angaben des Kabinen-Herstellers montiert.



VORSICHT - Falsche Messwerte: Wird der Raumfühler zu nahe an die Heizung montiert, kommt es zu falschen Messwerten. Einen horizontalen Mindestabstand von ca. 30 cm zur Heizung und ca. 30 cm zur Kabinendecke einhalten. Den Raumfühler nicht über den Infrarot-Heizstäben montieren.

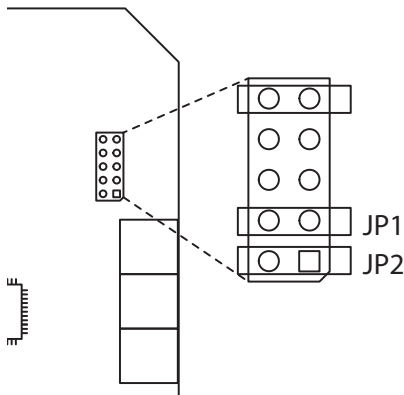
- Raumfühler 1 mit den zwei beigelegten 16 mm Holzschrauben an die Kabinenwand schrauben.
- 2-polige Leitung 2 in der Kabinenwand verlegen und mit Leitungsschellen fixieren.

7. Ändern der Heizzeitbegrenzung

Werkseitig ist die Heizzeitbegrenzung der Steuerung auf 99 Minuten begrenzt. Diese kann durch setzen der nachfolgend beschriebenen Jumper auf bis zu 24 Stunden erweitert werden. Der Jumpersatz ist unter der Bestellnummer O-JUMP als Zubehör erhältlich.



Eine minutengenaue Einstellung der Heizzeit ist nur bis zu einer Laufzeit von 99 Minuten möglich. Ab 99 Minuten bis 9,9 Stunden ist die Laufzeit auf 0,1 Stunden (6 Minuten) genau einstellbar. Darüberhinaus nur mehr in 1 Stunden Schritten.



<i>Laufzeit</i>	<i>Jumper</i>
99 Minuten	kein
6 Stunden	JP1
12 Stunden	JP2
24 Stunden	JP1 + JP2



ACHTUNG!

Für den Gebrauch im privaten Bereich darf die Heizzeitbegrenzung auf maximal 6 Stunden erweitert werden. Für Heizzeitbegrenzungen höher als 6 Stunden sind die entsprechenden Vorschriften der EN 60335-2-53 unbedingt zu beachten.

8. Bedienung

8.1. Bedien- und Anzeigeelemente

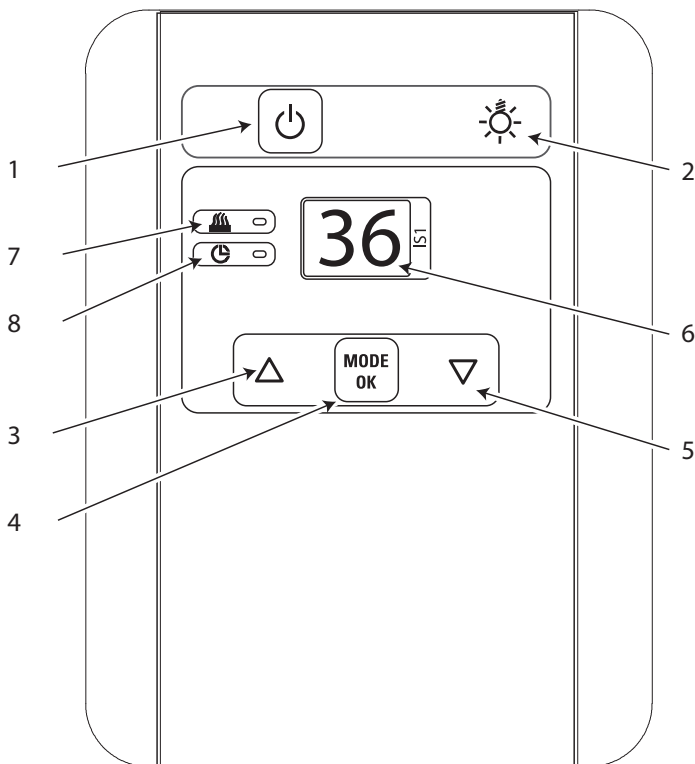


Abb. 1: Bedien- und Anzeigeelemente

Bedienelemente:

- 1 Ein-/Aus-Taste
- 2 Licht
- 3 Taste +
- 4 Taste Mode/OK
- 5 Taste -

Anzeigeelemente:

- 6 Temperatur- und Laufzeitanzeige
- 7 Auswahl Temperatur
- 8 Auswahl Laufzeit

8.2. Schnellstart

- Durch drücken der Taste 1 wird die Steuerung eingeschalten.
 - ▶ Im Display 6 erscheint nun die aktuelle Kabinentemperatur und die Anzeige 7 leuchtet.

Sie können nun die Wunschtemperatur mit den Tasten 3 und 5 verändern. Während des Einstellens blinkt die Anzeige 6.

- ▶ Bestätigen Sie die Temperatur mit der Taste 4 und das Display 6 zeigt wieder die aktuelle Temperatur der Kabine.



Hinweis: Wenn länger als 5 Sekunden keine Taste betätigt wird, übernimmt die Steuerung die Soll-Temperatur automatisch.

- Wechseln Sie nun mit der Taste 4 auf das Uhrzeitsymbol 8.
 - ▶ Mit den Tasten 3 und 5 können Sie nun die gewünschte Laufzeit einstellen.
 - ▶ Bestätigen Sie die Einstellung mit der Taste 4 oder warten Sie bis die Steuerung die Einstellung automatisch übernimmt.
 - ▶ Das Display zeigt nun die verbleibende Laufzeit an.



Hinweis: Mit der Taste 4 können Sie zwischen den Symbolen 7 und 8 wechseln. Das Display zeigt dann den jeweiligen Istwert an:

- Symbol 7: aktuelle Kabinentemperatur
 - Symbol 8: verbleibende Laufzeit
-



Hinweis: Die Steuerung speichert die Einstellungen beim Ausschalten durch drücken der Taste 1 ab. Wenn die Steuerung wieder mit Taste 1 eingeschalten wird, werden die letzten Einstellungen wieder aufgerufen.

8.3. Beschreibung der Funktionen und Bedienelemente

Beachten Sie **Abb. 2 Bedien- und Anzeigeelemente** auf **Seite 17**.

- **Ein/Aus Taste 1**

Mit dieser Taste kann die Steuerung Ein- und Ausgeschalten (Standby) werden. Wurden bereits Laufzeit und Temperatur eingestellt, so beginnt die Steuerung sofort mit den zuletzt getätigten Einstellungen zu arbeiten. Die Einstellungen werden beim Wechseln in den Standby gespeichert.

- **Licht Taste 2**

Hier kann das Kabinenlicht zu jedem Zeitpunkt geschaltet werden. Auch wenn sich die Steuerung im Standbyzustand befindet. Das Kabinenlicht bleibt auch nach Ende der Laufzeit eingeschalten.

- **Taste + 3**

Erhöht den Wert der ausgewählten Option. Wird die Taste gehalten wird der Wert schneller erhöht. Sobald die Taste gedrückt wurde beginnt die Anzeige zu blinken und der Sollwert wird angezeigt.

- **Taste Mode/OK 4**

Mit dieser Taste können Sie zwischen der Temperatur und Laufzeitanzeige wechseln. Es wird der aktuelle Istwert angezeigt. Desweiteren dient diese Taste auch zum Bestätigen des Sollwertes.

- **Taste - 5**

Verringert den Wert der ausgewählten Option. Wird die Taste gehalten wird der Wert schneller erhöht. Sobald die Taste gedrückt wurde beginnt die Anzeige zu blinken und der Sollwert wird angezeigt.

- **Temperatur- und Laufzeitanzeige 6**

Leuchtet die Anzeige dauerhaft so wird der jeweilige Istwert angezeigt. Der Sollwert wird dargestellt wenn eine der Tasten, 3 oder 5, gedrückt wurde. Die Anzeige blinkt solange bis die Taste 4 gedrückt wurde oder die Einstellung automatisch nach 5 Sekunden übernommen wird. Danach leuchtet die Anzeige wieder dauerhaft und der Istwert wird wieder angezeigt.

• Auswahl Temperatur 7

Hier kann die gewünschte Temperatur eingestellt werden. Die Einstellung wird mit den Tasten 3 und 5 vorgenommen. Solange die Solltemperatur angezeigt wird blinkt die Anzeige 6. Sie können nun den eingestellten Wert mit 4 bestätigen oder warten bis nach 5 Sekunden der Wert automatisch übernommen wird.

- ▶ Minimalwert: 30° C
- ▶ Maximalwert: 70° C bei Strahlerbetrieb, 50° C bei Folienbetrieb

• Auswahl Laufzeit 8

Hier kann die gewünschte Laufzeit eingestellt werden. Die Einstellung wird mit den Tasten 3 und 5 vorgenommen. Solange die gewünschte Laufzeit angezeigt wird blinkt die Anzeige 6. Sie können nun den eingestellten Wert mit 4 bestätigen oder warten bis nach 5 Sekunden der Wert automatisch übernommen wird.



Hinweis: Die maximale Laufzeit wird durch die Heizzeitbegrenzung limitiert. Siehe auch **7. Ändern der Heizzeitbegrenzung** auf **Seite 16**.

<i>Laufzeit</i>	<i>Einstellgenauigkeit</i>
< 99 Minuten	1 Minute
99 Minuten - 9,9 Stunden	0,1 Stunden (6 Minuten)
> 9,9 Stunden	1 Stunde

9. Problemlösung

Die Infrarotsteuerung ist mit einer Diagnose-Software ausgestattet, die beim Einschalten und im Betrieb die Systemzustände überprüft. Sobald die Diagnosesoftware einen Fehler erkennt, schaltet die Infrarotsteuerung das Heizsystem ab.

<i>Fehler</i>	<i>Beschreibung</i>	<i>Ursache / Behebung</i>
E1	Sicherheitstemperaturbegrenzer	Der im Lieferumfang enthaltene Fühler hat keinen Sicherheitstemperaturbegrenzer. Überprüfen Sie den Sitz der werkseitig angebrachten Drahtbrücke.
E3	Raumfühler Unterbrechung	Überprüfen Sie die Kabel des Kabinenfühlers auf Schadstellen und die Klemmstellen auf korrekten Sitz
E4	Raumfühler Kurzschluss	Überprüfen Sie das Kabel des Kabinenfühlers auf Schadstellen.
E5	Folienfühler Unterbrechung	Wenn Sie keine Folien oder Wärmeplatten verwenden muss der werkseitige Dummyfühler in seiner Position verbleiben. Wenn Sie einen Folienfühler verwenden, kontrollieren Sie das Kabel auf Schadstellen und die Klemmen auf korrekten Sitz.
E6	Folienfühler Kurzschluss	Wenn Sie einen Folienfühler verwenden, kontrollieren Sie das Kabel auf Schadstellen und die Klemmen auf korrekten Sitz.
E7	Übertemperatur Folie	Wenn Sie keine Folien oder Wärmeplatten verwenden muss der werkseitige Dummyfühler in seiner Position verbleiben. Wenn Sie einen Folienfühler verwenden, kontrollieren Sie das Kabel auf Schadstellen und die Klemmen auf korrekten Sitz.

- Sollte sich der Fehler durch die oben beschriebenen Maßnahmen nicht abstellen lassen, so kontaktieren Sie Ihren Lieferanten.

10. Entsorgung



- Entsorgen Sie die Verpackungsmaterialien nach den gültigen Entsorgungsrichtlinien.
- Altgeräte enthalten wiederverwendbare Materialien, aber auch schädliche Stoffe. Geben Sie Ihr Altgerät deshalb auf keinen Fall in den Restmüll, sondern entsorgen Sie das Gerät nach den örtlich geltenden Vorschriften.

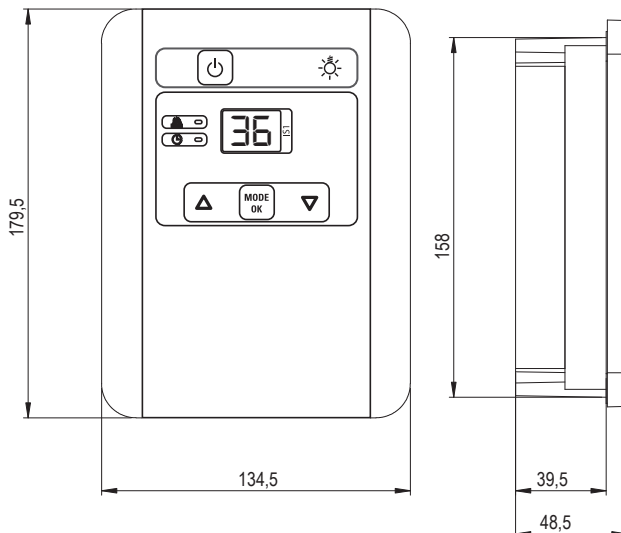
11. Technische Daten

Allgemein

Stromversorgung:	230 V AC ~ 1N PE
Maximale Schaltlast Heizsystem:	3,0 kW, 16A
Maximale Schaltlast Licht:	0,8 A
Leistungsaufnahme Betrieb:	3 W
Leistungsaufnahme Stand-By:	1 W

Umgebungsbedingungen

Umgebungstemperatur:	0° C - 70° C
Luftfeuchte:	max. 99% rel.





GLOBAL: Harvia Finland Oy | P.O. Box 12 | Teollisuustie 1-7 | 40951 Muurame | FINLAND | +358 207 464 000 | harvia@harvia.fi
CENTRAL EUROPE: Harvia Austria GmbH | Wartenburger Straße 31 | A-4840 Vöcklabruck | +43 (0) 7672/22900-50 | info@harvia.com
www.harvia.com

