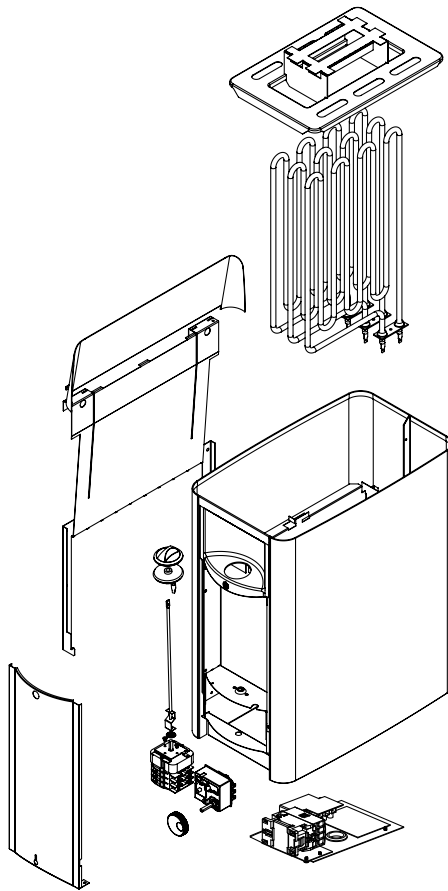


# HARVIA SPARE PARTS



**ELECTRIC HEATERS****Cilindro (6.8-9.0 kW)**

Itm.Nr. HPCE700400M, HPC700400M, HPCE700400,	
HPCE700400H, HPC700400, HPC700400F, HPC700400OH,	
HPC700400B, HPC700400B, HPCE900400M, HPC900400M,	
HPCE900400, HPCE900400H, HPC900400, HPC900400F,	
HPC900400H, HPC900400B, HPCE900400B .....	3

**Cilindro XE / XW (6.8-9.0 kW)**

Itm.Nr. HPC7004MXE, HPC704XE, HPC9004MXE, HPC904XE .....	4
--	---

**Delta (2.3 kW, 3.6 kW)**

Itm.Nr. HD234M, HDE234M, HD294M, HDE294M, HD364M,	
HDE364M .....	5

**Delta (2,7 kW)**

Itm.Nr. HD272M .....	6
----------------------	---

**Forte (4-9 kW)**

Itm.Nr. HAFB400400M, HAFB400400S, HAFB600400M,	
HAFB600400S, HAFB900400M, HAFB900400S .....	7

**Glow Corner (6.8-9.0 kW)**

Itm.Nr. HTRC700400, HTRC900400 .....	8
--------------------------------------	---

**KIP (4.5-9.0 kW)**

Itm.Nr.HBK450230, HBK600230, HBK800230, HBK450230S,	
HBK600230S, HBK800230S, HBK900230S, HBK900230,	
HEK900230, HEK900230S, HEK800230, HEK800230S,	
HEK450230, HEK450230S, HEK450230, HEK600230S,	
HEK600230 .....	9

**KIP (5.5 -7.4 kW)**

Itm.Nr. HEK602S, HEK602M, HEK802S, HEK802M .....	10
--	----

**Kivi (6.9 -9 kW)**

Itm.Nr. HPI700400, HPIE700400, HPI900400, HPIE900400 .....	11
--	----

**Legend / Legend XW (6.8-10.8 kW)**

Itm.Nr. HPOE704, HPOE1104, HPO704XW, HPO1104XW .....	12
--	----

**Moderna XE (4,5-8,0 kW)**

Itm.Nr. HVE454XEM, HVE604XEM, HVE804XEM .....	13
---	----

**Qube 9.0-15 kW**

Itm.Nr. QUBE-090, QUBE-105, QUBE-120, QUBE-150 .....	14
--	----

**Qube Pro 240 (18-24 kW), QUBE Pro 360 (30-36 kW)**

Itm.Nr. QUBE-240, QUBE-360 .....	15
----------------------------------	----

**Sähkökäri (6.0-8.0 kW)**

HBH600400, HBH800400, HBH450400, HBH600400ST,	
HBH800400ST .....	9

**Spirit (6.0-8.0 kW)**

HSPE60UIM, HSPE80UIM .....	18
----------------------------	----

**Spirit (6,0-9,0 kW 200 VAC)**

Itm.Nr. HSPE602M, HSPE902M .....	17
----------------------------------	----

**Spirit (6,0-9,0 kW)**

Itm.Nr. HSPE604M, HSPE904M, HSP604MXW, HSP904MXW .....	16
--	----

**The Wall (4.5-9.0 kW)**

Itm.Nr. HSW452M, HSWE452M, HSW602M, HSWE602M, HSW902M,	
HSWE902M .....	20

**The Wall (4.5-9.0 kW)**

Itm.Nr. HSWE450400, HSWE450400M, HSWE600400,	
HSWE600400M, HSWE900400, HSWE900400M, HSW450400,	
HSW450400M, HSW600400, HSW600400M, HSW800400,	
HSW800400M .....	19

**Virta Combi (7.0-11.0 kW)**

Itm.Nr. HL700400S, HL900400S, HL110400S, HL700400SA,	
HL900400SA, HL110400SA .....	21

**WOOD BURNING HEATERS****Pro 20, Pro 20 RS, Pro 20 LS, Pro 20 ES, Pro 26, Pro 36, Linear 22, Linear 28 (Versions 2024 or later)**

Itm.Nr. WKPR20M, WKPR20RSM, WKPR20LSM, WKPR26M,	
WKPR36M, WKLI20M, WKLI26M .....	22

**Pro 20, Pro 20 RS, Pro 20 LS, Pro 20 ES, Pro 26, Pro 36 (Versions before 2024)**

Itm.Nr. WKP200, WKP200RS, WKP200LS, WKP200ES, WKP260,	
WKP360 .....	23

**STEAM GENERATORS****HGD WIFI**

Itm.Nr. HGD45XW, HGD60XW, HGD90XW, HGD110XW,	
HGD150XW .....	24

**CONTROL UNITS****Xenio CX45J 200-208 VAC**

Itm.Nr. CX45J .....	25
---------------------	----

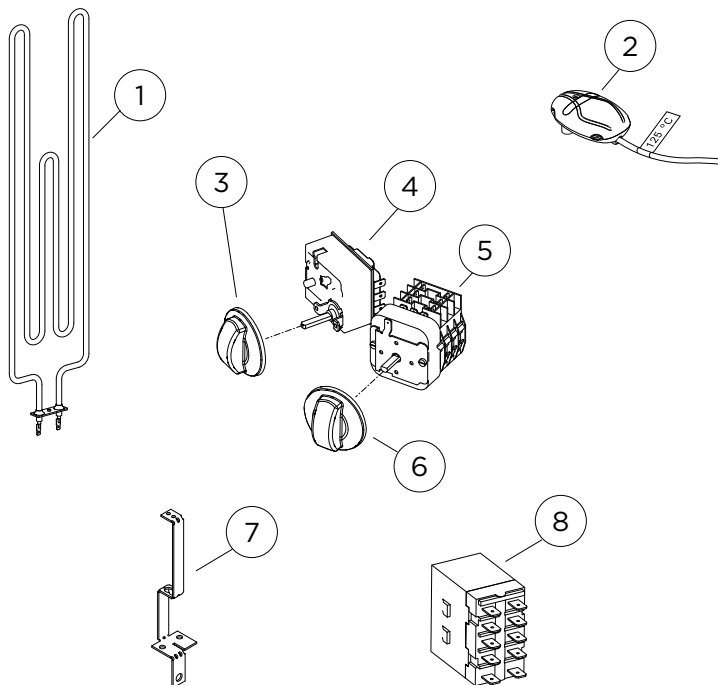
**ACCESSORIES****Safety Switch (Control unit accessory)**

Itm.Nr. SFE-220400, SFE-350400, SFE-500500, SFE-D350,	
SFE-D450, SFE-D530 .....	26

### Cilindro (6.8-9.0 kW)

Itm.Nr. HPCE700400M, HPC700400M, HPCE700400, HPCE700400H, HPC700400, HPC700400F, HPC700400H, HPC700400B, HPCE700400B, HPCE900400M, HPC900400M, HPCE900400, HPCE900400H, HPC900400, HPC900400F, HPC900400H, HPC900400B, HPCE900400B

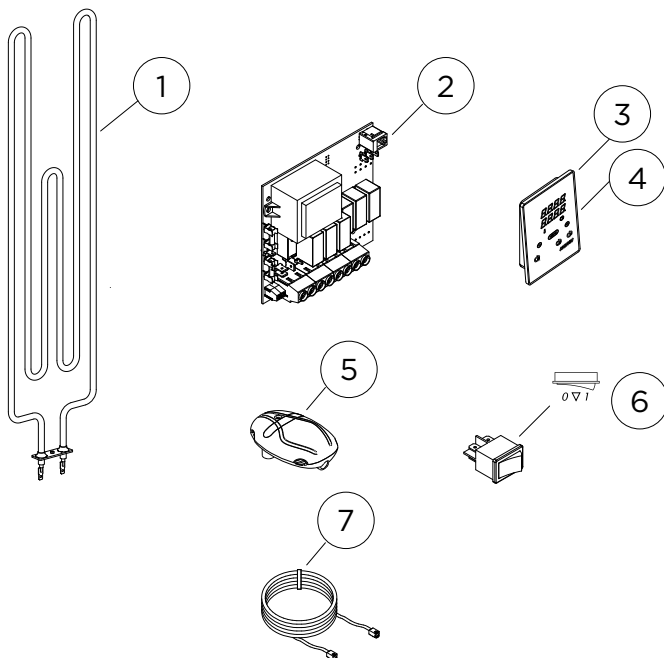
No.	Name	Type	Item code
1	Heater element 2260 W x 3	PC70/E/H/HE/F	SPZRH-720
	Heater element 3000 W x 3	PC90/E/H/HE/F	SPZSE-259
2	Temperature sensor 125 °C	PC-E/HE	SP248
3	Knob for thermostat	PC/-H/-F	SPZST-220
4	Thermostate/overheating limiter switch	PC/-H/-F	SPZSK-520
5	Timer	PC/-H/-F	SPZSK-510
6	Knob for timer	PC/-H/-F	SPZST-230
7	Sensor bracket	PC/-H/-F	SPZSC-145
8	Contactora K1	PC90/H/F	SP225



### Cilindro XE / XW (6.8-9.0 kW)

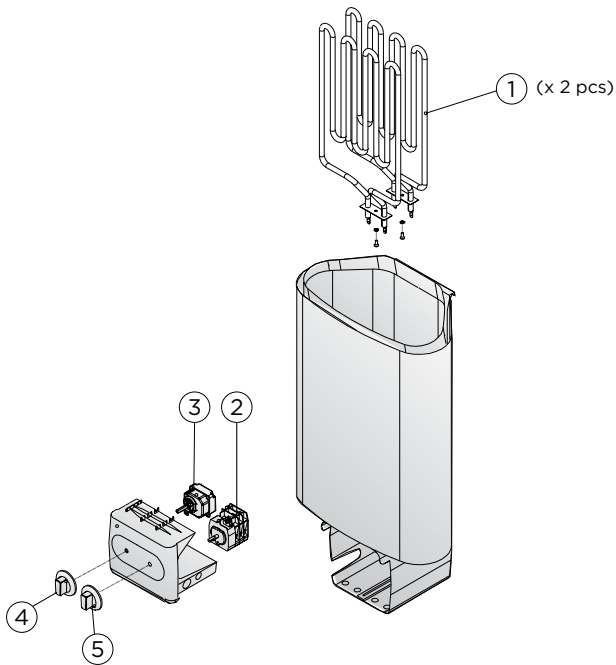
Itm.Nr. HPC7004MXE, HPC704XE, HPC9004MXE, HPC904XE

No.	Name	Type	Item code
1	Heater element 2260 W x 3	70XE, 70XW	SPZRH-720
1	Heater element 3000 W x 3	90XE, 90XW	SPZSE-259
2	Circuid board		SP683
3	Control panel	70XE, 90XE	SP380
4	Control panel	70XW, 90XW	SP694 (Wifi)
5	Temperature sensor 125 °C		SP248
6	Main switch		SPZSK-684
7	Datacable 5 m		SP311



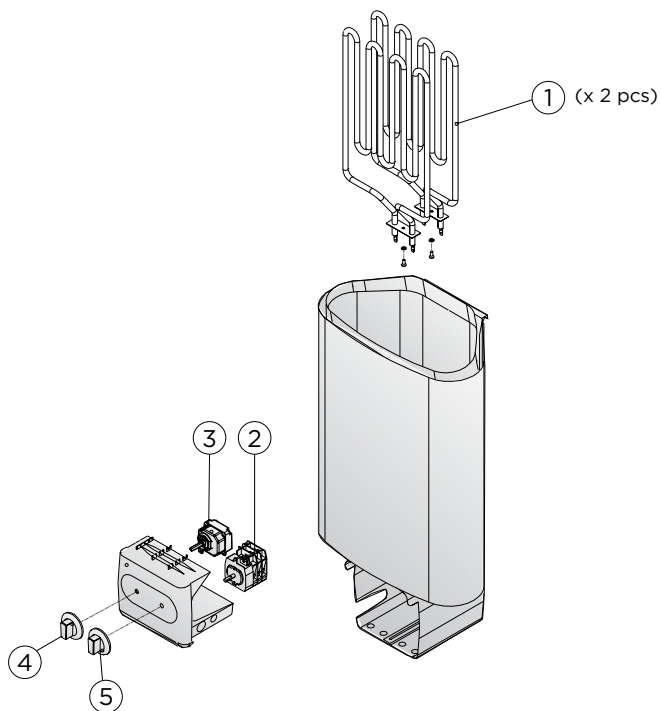
**Delta (2.3 kW, 3.6 kW)****Itm.Nr. HD234M, HDE234M, HD294M, HDE294M, HD364M, HDE364M**

No.	Name	Type	Item code
1	Heating element 1800 W / 230 V	D29/D29E x1 D36/D36E x2	SPZSN-160
1	Heating element 1150 W / 230 V	D23/D23E x2 D29/D29E x1	SPZSN-150
2	Timer		SPZSK-510
3	Thermostat		SPZSK-520
4	Thermostat knob		SPZST-220
5	Timer knob		SPZST-230



**Delta (2,7 kW)****Itm.Nr. HD272M**

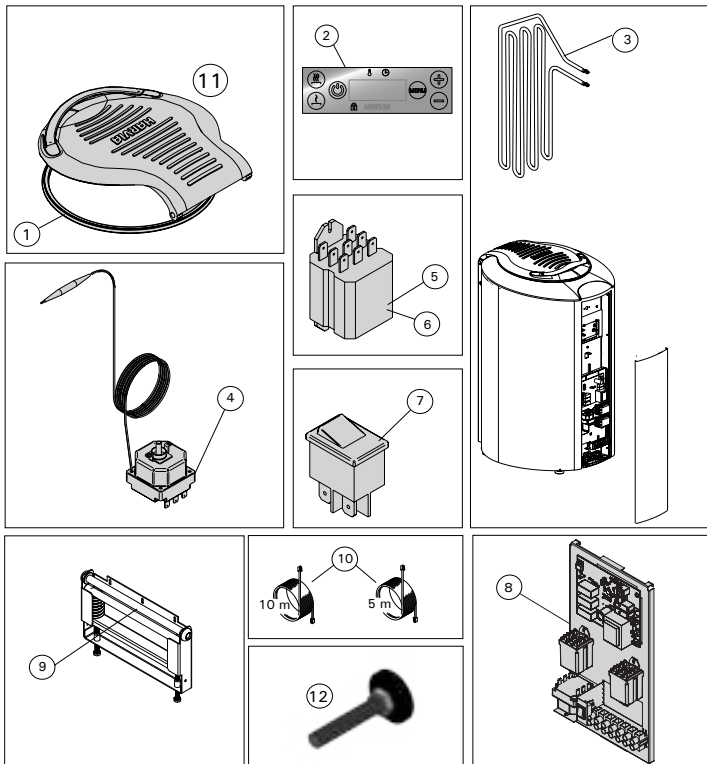
No.	Name	Item code
1	Heating element x2	SPZSN-160
2	Timer	SPZSK-510-4
3	Thermostat	SPZSK-520
4	Thermostat knob	SPZST-220
5	Timer knob	SPZST-230-4



**Forte (4-9 kW)**

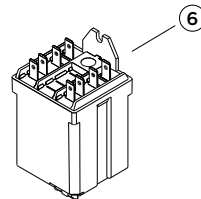
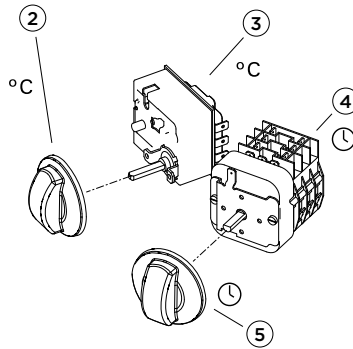
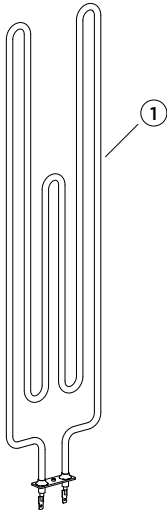
**Itm.Nr. HAFB400400M, HAFB400400S, HAFB600400M, HAFB600400S, HAFB900400M, HAFB900400S**

No.	Name	Type	Item code	PCS
1	Gasket		SPZSF-230	
2	Control panel		SP611	
3	Heater element	AFB4	SPZSF-20U	3
3	Heater element	AFB6	SPZSF-30	3
3	Heater element	AFB9	SPZSF-50	3
4	Overheat limiter switch		SPZSF-710	
5	Contacteur K1		SP207	
6	Contctor K2		SP208	
7	ON/OFF electric switch		SPZSK-684	
8	Power electronic without display		SP612	
9	Repair set for hinges		SP260	
10	Data cable 5m		SP311	
10	Data cable 10m		SP315	
11	Hatch		SP272	
12	Adjustable leg		SPZSA-440	



**Glow Corner (6.8-9.0 kW)****Itm.Nr. HTRC700400, HTRC900400**

No.	Name	Type	Item code	pcs.
1	Heater element (2260 W)	TRC70	SPZRH-720	3
1	Heater element (3000 W)	TRC90	SPZSE-259	3
2	Thermostat knob		SPZST-220	
3	Thermostat		SPZSK-520	
4	Timer		SPZSK-510	
5	Timer knob		SPZST-230	
6	Contactors	TRC90	SP207	





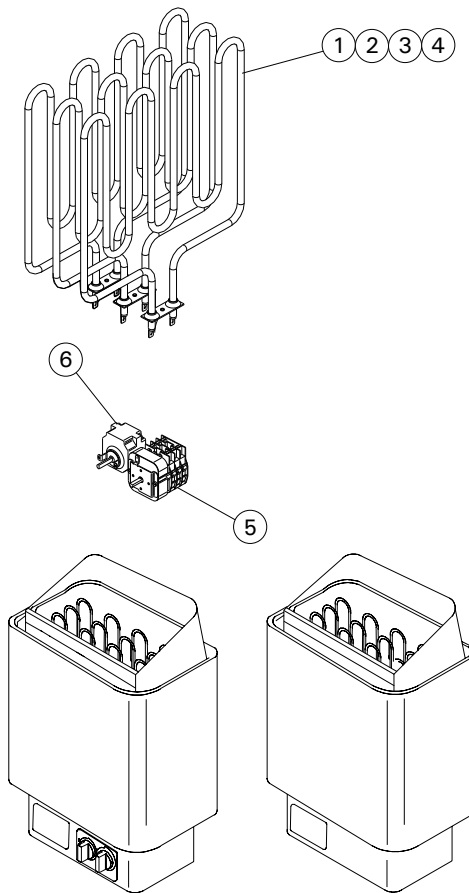
**KIP (4.5-9.0 kW)**

Itm.Nr.HBK450230, HBK600230, HBK800230, HBK450230S, HBK600230S, HBK800230S, HBK900230S, HBK900230, HEK900230, HEK900230S, HEK800230, HEK800230S, HEK450230, HEK450230S, HEK450230, HEK600230S, HEK600230

**Sähköri (6.0-8.0 kW)**

HBH600400, HBH800400, HBH450400, HBH600400ST, HBH800400ST

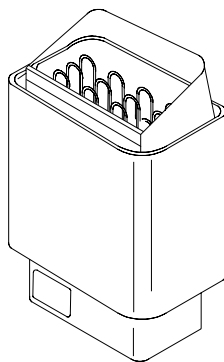
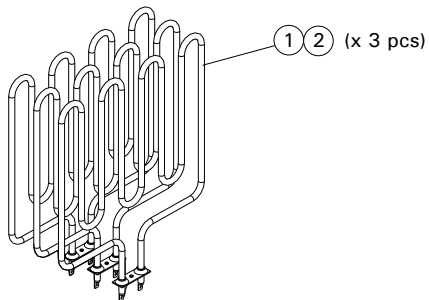
No.	Name	Type	Item code
1	Heater element 1500 W / 230 V	45/E	SPZSK-690
2	Heater element 2000 W / 230 V	60/E	SPZSK-700
3	Heater element 2670 W / 230 V	80/E	SPZSK-710
4	Heater element 3000 W / 230 V	90/E	SPZSK-720
5			SPZSK-510
6			SPZSK-520



**KIP (5.5 -7.4 kW)**

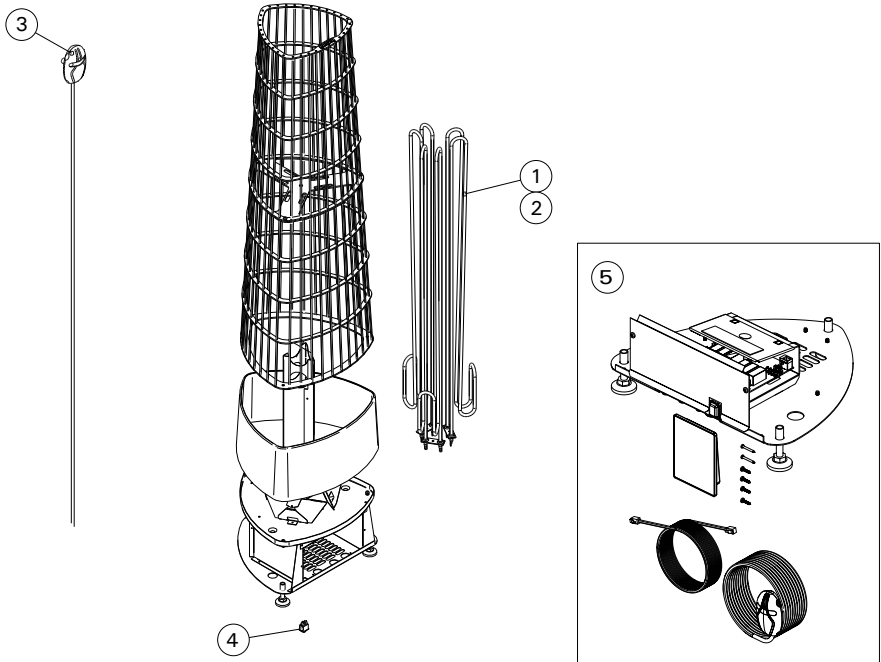
**Itm.Nr. HEK602S, HEK602M, HEK802S, HEK802M**

No.	Name	Type	Item code
1	Heater element x 3	HEK602S/M	SPZSK-742I
2	Heater element x 3	HEK802S/M	SPZSK-745I



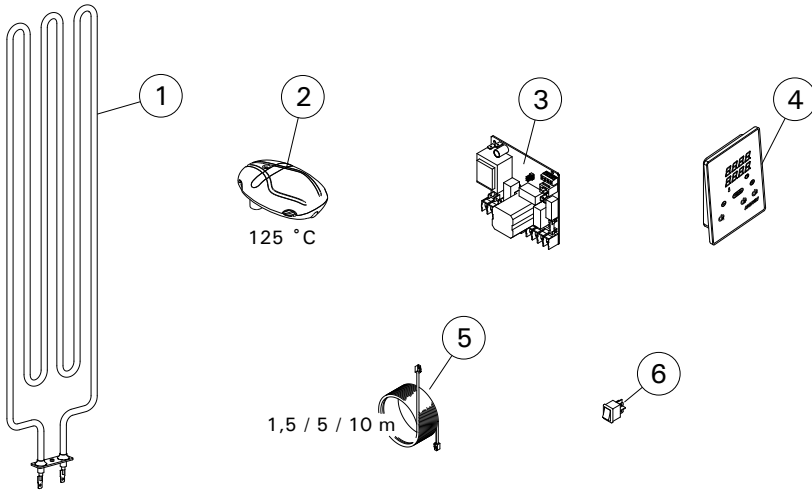
**Kivi (6.9 -9 kW)****Itm.Nr. HPI700400, HPIE700400, HPI900400, HPIE900400**

No.	Name	Type	Item code
1	Heater element 2300 W	PI70, PI70E	SPZRH-247
2	Heater element 3000 W	PI90, PI90E	SPZRH-249
3	Temperature sensor 125 °C		SP248
4	Main switch		SPZSK-684
5	Power Unit SET Kivi EE/XE	PI70, PI90	SPZRH-309XE



**Legend / Legend XW (6.8-10.8 kW)****Itm.Nr. HPOE704, HPOE1104, HPO704XW, HPO1104XW**

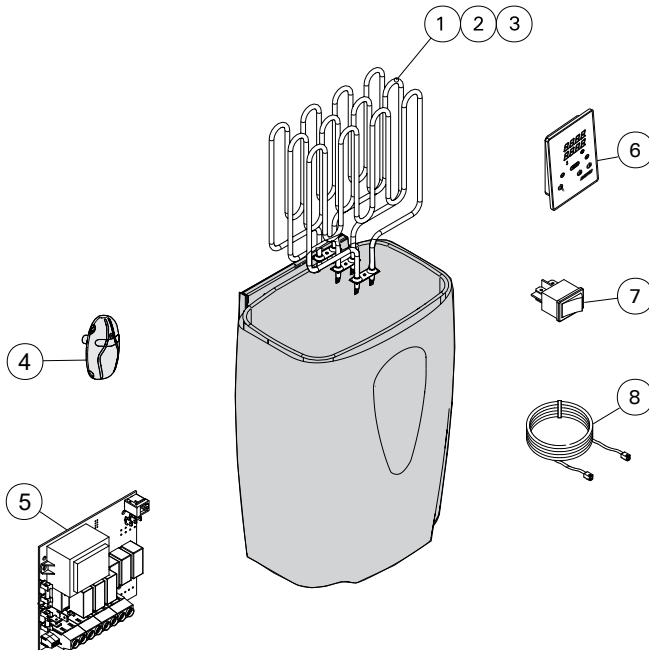
No.	Name	Type	Item code
1	Heater element 3600 W	PO110XE, PO110E	SPZSC-360
	Heater element 2260 W	PO70XE, PO70E	SPZRH-720
2	Temperature sensor 125 ° C		SP248
3	Circuid board	PO70XE, PO110XE	SP683
4	Display board	PO70XE, PO110XE	SP380
5	Datacable 5m	PO70XE, PO110XE	SP311
	Datacable 1,5m	PO70XE, PO110XE	SP312
	Datacable 10m	PO70XE, PO110XE	SP315
6	Main switch	PO70XE, PO110XE	SPZSK-684



## Moderna XE (4,5-8,0 kW)

### Itm.Nr. HVE454XEM, HVE604XEM, HVE804XEM

No.	Name	Item code
1	Heater element 1500 W / 230 V	SPZSK-690
2	Heater element 2000 W / 230 V	SPZSK-700
3	Heater element 2670 W / 230 V	SPZSK-710
4	Temperature sensor 135°C	SP247
5	Circuid board	SP683
6	Control panel	SP380
7	ON/OFF electric switch	SPZSK-684
8	Data cable 5 m	SP311



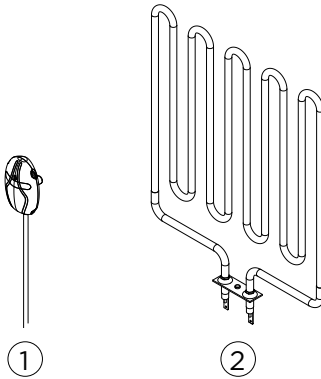
**Qube 9.0-15 kW****Itm.Nr. QUBE-090, QUBE-105, QUBE-120, QUBE-150**

No.	Name	Type	Item code	pcs
	Heater element	QUBE-90	SPSEN-002	6
	Heater element	QUBE-105	SPSEN-002	3
			SPSEN-003	3
	Heater element	QUBE-120	SPSEN-002	6
			SPSEN-005	3
	Heater element	QUBE-150	SPSEN-002	6
			SPSEN-003	3

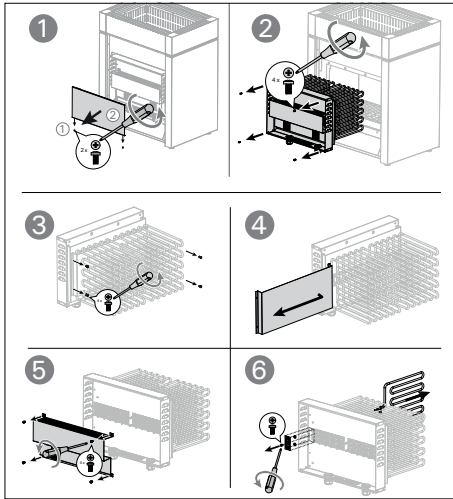
**Qube Pro 240 (18-24 kW), QUBE Pro 360 (30-36 kW)**

**Itm.Nr. QUBE-240, QUBE-360**

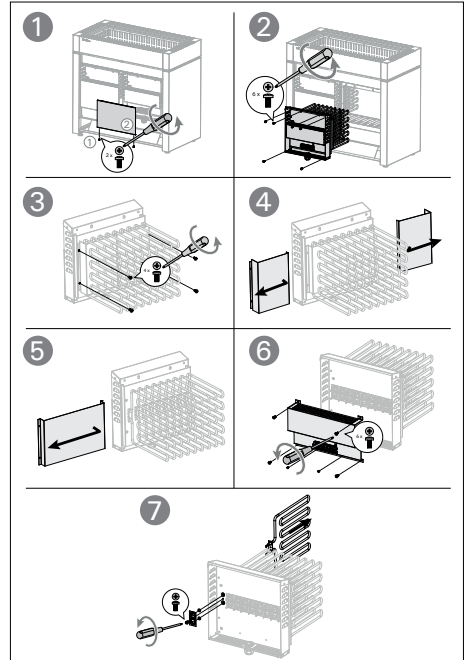
No.	Name	Type	Item code
1	Temperature sensor	QUBE-240 QUBE-360	SP255 SP233
2	Heater element	QUBE-240 QUBE-360	SPSEN-003 SPSEN-012



**QUBE-240**



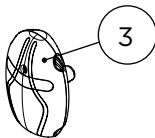
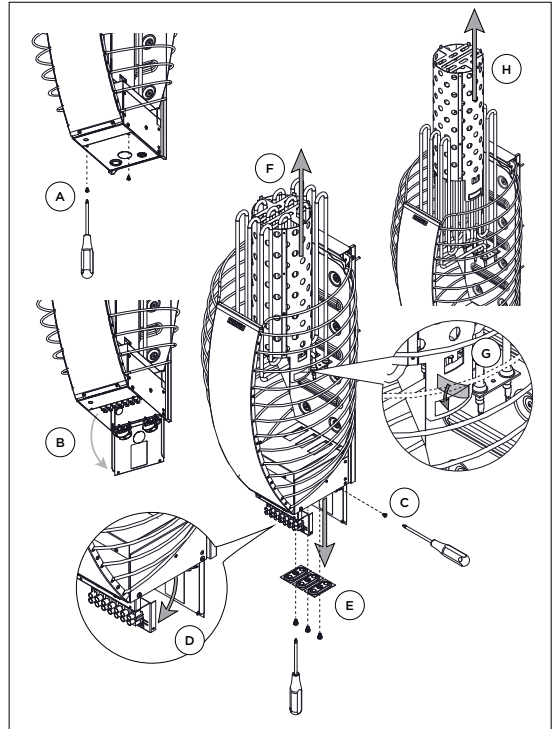
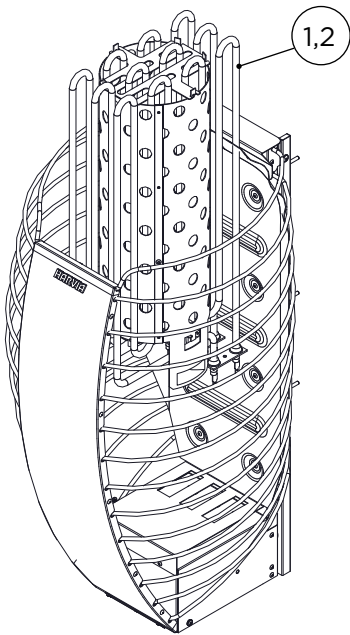
**QUBE-360**



**Spirit (6,0-9,0 kW)**

**Itm.Nr. HSPE604M, HSPE904M, HSP604MXW, HSP904MXW**

No	Name	Type	Item code
1	Heater element 2000 W	SP60E, SP60XW	SPY10-0015
2	Heater element 3000 W	SP90E, SP90XW	SPZCU-830
3	Temperature sensor 125 °C		SP248

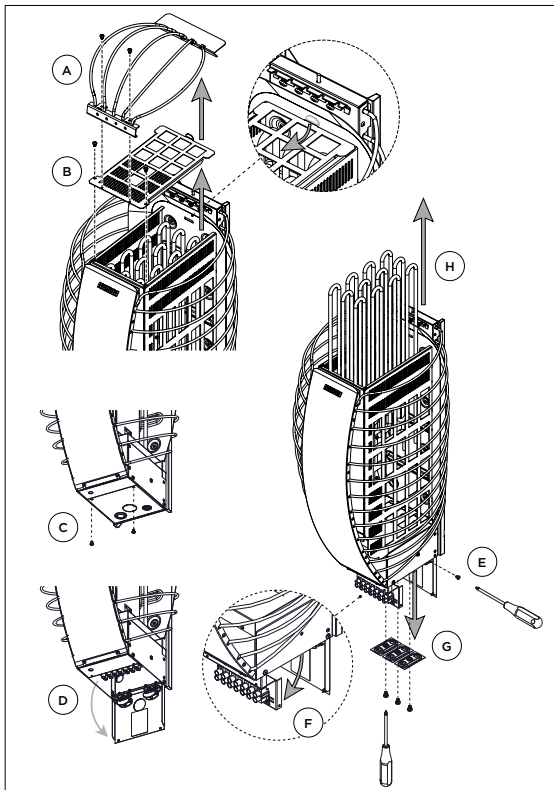
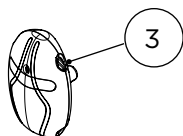
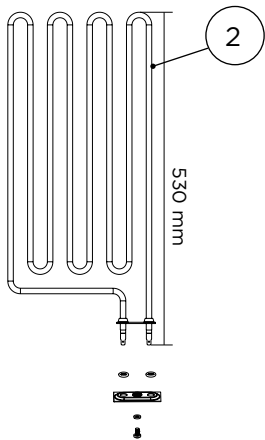
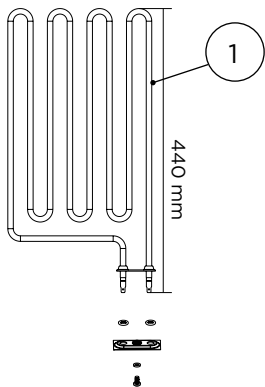




**Spirit (6,0-9,0 kW 200 VAC)**

**Itm.Nr. HSPE602M, HSPE902M**

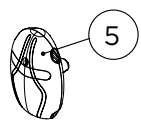
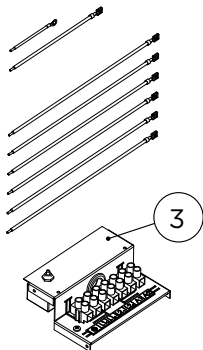
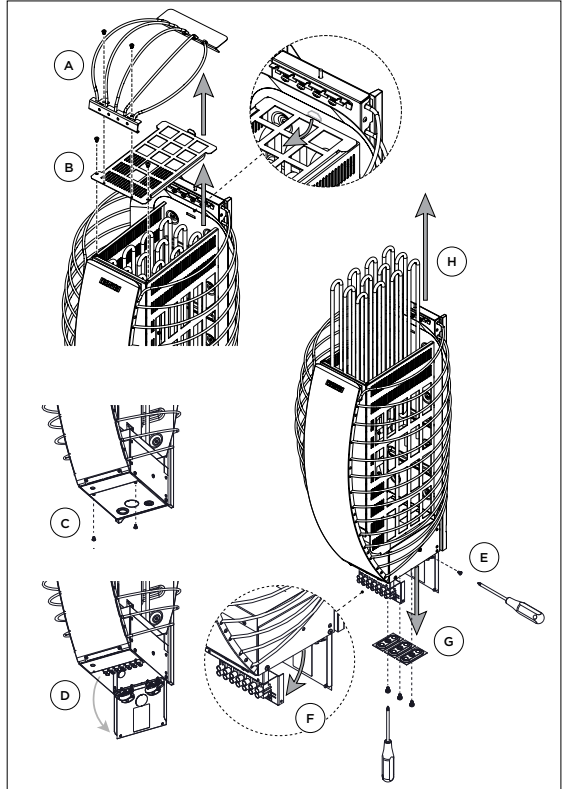
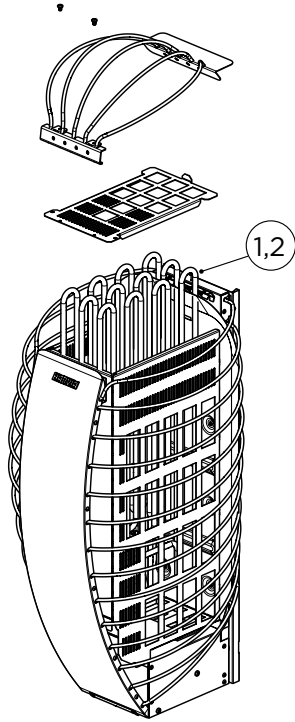
No	Name	Item code
1	Heater element 2000 W	SPY10-0025I
2	Heater element 3000 W	SPY10-0026I
3	Temperature sensor 125 °C	SP248



**Spirit (6.0-8.0 kW)**

**HSPE60U1M, HSPE80U1M**

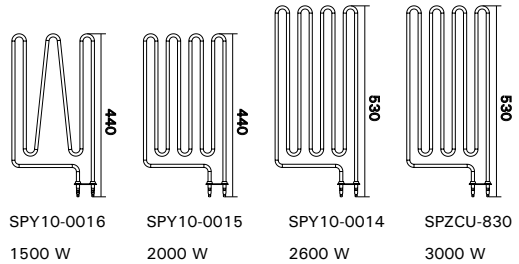
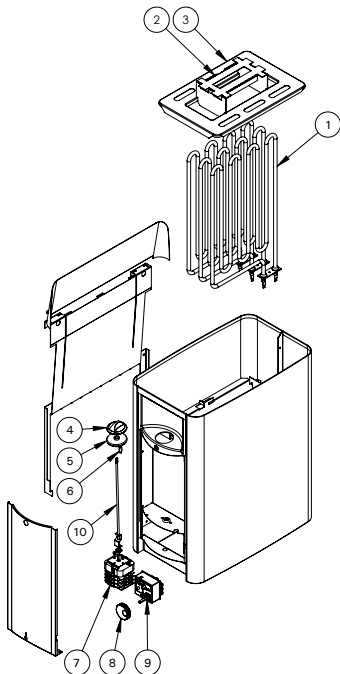
No	Name	Item code
1	Heater element 2650 W / 240 V	SPY10-0020
2	Heater element 2000 W / 240 V	SPY10-0021
3	Electric set 240V	SPZHK-018
4	Safety device switch set	SPZHK-036
5	Temperature sensor 125 °C	SP248



## The Wall (4.5-9.0 kW)

Itm.Nr. HSWE450400, HSWE450400M, HSWE600400, HSWE600400M, HSWE900400, HSWE900400M, HSW450400, HSW450400M, HSW600400, HSW600400M, HSW800400, HSW800400M

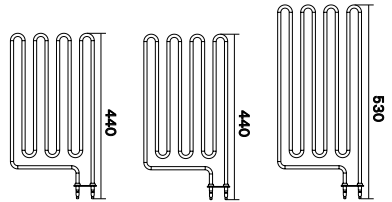
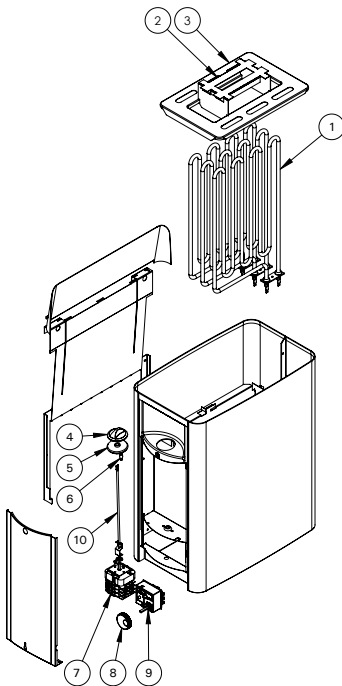
No.	Name	Type	Item code
1	Heater element 1500 W	SW45/-E	SPY10-0016
1	Heater element 2000 W	SW60/-E	SPY10-0015
1	Heater element 2600 W	SW80	SPY10-0014
1	Heater element 3000 W	SW90	SPZCU-830
2	Heating element support		SPZWA-007
3	Grid	SW	SPZWA-023
3	Grid	SW E	SPZWA-077
4	Knob for timer		SPZWA-011
5	Lead through rubber		SPZWA-022
6	Signal lamps		SPZWA-061
7	Timer + axel lock		SP641
8	Knob for thermostat		SPZWA-021
9	Thermostate/overheating limiter		SPZSK-520
10	Axel	SW45/SW60	SPZWA-041
10	Axel	SW80/SW90	SPZWA-016



## The Wall (4.5-9.0 kW)

Itm.Nr. HSW452M, HSWE452M, HSW602M, HSWE602M. HSW902M, HSWE902M

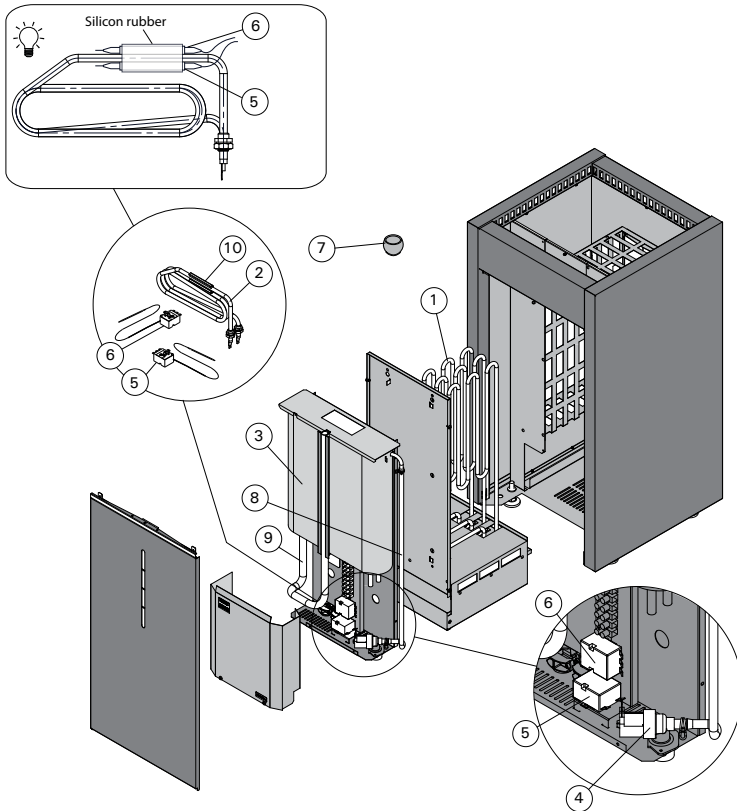
No.	Name	Type	Item code
1	Heater element 1500 W	SW45/-E	SPY10-0015
1	Heater element 2000 W	SW60/-E	SPY10-0025I
1	Heater element 3000 W	SW90/-E	SPY10-0026I
2	Heating element support		SPZWA-007
3	Grid	SW	SPZWA-023
3	Grid	SW E	SPZWA-077
4	Knob for timer		SPZWA-011-4
5	Lead through rubber		SPZWA-022
6	Signal lamps		SPZWA-061
7	Timer (4h)		SPZSK-510-4
8	Knob for thermostat		SPZWA-021
9	Thermostat		SPZSK-520
10	Axel	SW45/SW60	SPZWA-041
10	Axel	SW90	SPZWA-016



SPY10-0015 1500 W  
 SPY10-0025I 2000 W  
 SPY10-0026I 3000 W

**Virta Combi (7.0-11.0 kW)****Itm.Nr. HL700400S, HL900400S, HL110400S, HL700400SA, HL900400SA, HL110400SA**

No.	Name	Type	Item code
1	Heater element 2260 W / 230 V	HL70S(A)	SPZCU-823
1	Heater element 3000 W / 230 V	HL90S(A)	SPZCU-830
1	Heater element 3600 W / 230 V	HL110S(A)	SPZCU-836
2	Evaporator heating element, assembled 2000 W / 230 V		SPZH-104
3	Water tank		SPZCU-115
4	Solenoid valve	HL70SA, HL90SA, HL110SA	SPZSS-610
5	Overheating limiter switch		SPZSK-764
6	Thermostat 110°C		SPZSN-250
7	Soapstone cup		SPZH-205
8	Silicone hose 7/10		SPZCU-350
9	Silicone hose 12/16		SPZCU-352
10	Bracket for thermostat		SPZH-128

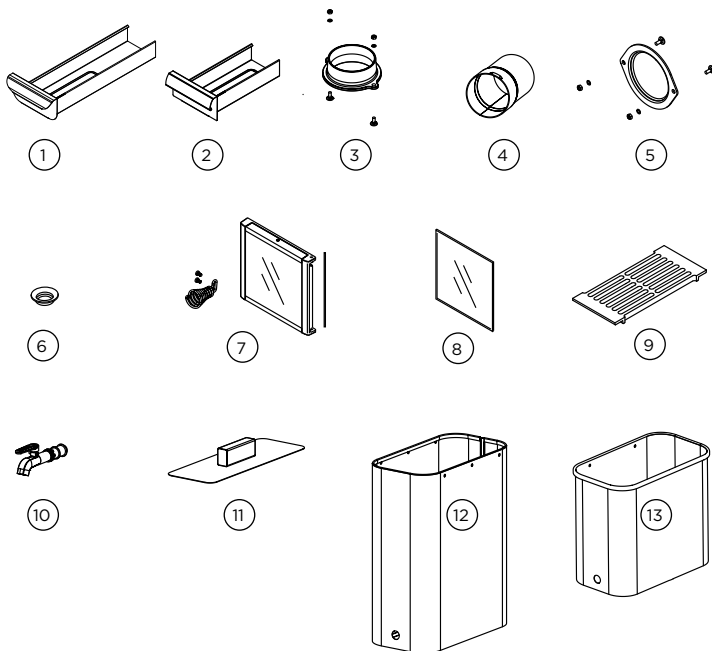


**Note! Versions 2024 or later**

**Pro 20, Pro 20 RS, Pro 20 LS, Pro 20 ES, Pro 26, Pro 36, Linear 22, Linear 28 (Versions 2024 or later)**

**Itm.Nr. WKPR20M, WKPR20RSM, WKPR20LSM, WKPR26M, WKPR36M, WKLI20M, WKLI26M**

No.	Name		Item code
1	Ash box	Pro 20 ES	SP681
2	Ash box	Pro 20/RS/LS, Pro 26, Pro 36, Linear 22, Linear 28	SP682
3	Flue pipe connector		SPZROB-200
4	Connection pipe		SPZKIP-130
5	Blocking plug		SPZROB-190
6	Soot opening stopper		SPZKIP-170
7	Stove door with glass		SP048
8	Glass		SPZTS-36
9	Cast-iron grating		SPZKIP-10
10	Water tap	Pro 20 RS/LS/ES	SPZVS-100
11	Water container lid	Pro 20 RS/LS	SPZROST-619
12	Water container	Pro 20 RS/LS	SP520
13	Water container	Pro 20 ES	SP035

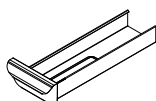


**Note! Versions before 2024**

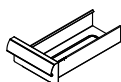
**Pro 20, Pro 20 RS, Pro 20 LS, Pro 20 ES, Pro 26, Pro 36 (Versions before 2024)**

**Itm.Nr. WKP200, WKP200RS, WKP200LS, WKP200ES, WKP260, WKP360**

No.	Name		Item code
1	Ash box	Pro 20 ES	SP681
2	Ash box	Pro 20/ 20 RS/ 20 LS / 26 / 36	SP682
3	Connection pipe		SPZKIP-130
4	Cap for smoke hole (Ø115 mm)		SPZKIP-140
4	Stove door with glass		SP048
5	Glass		SPZTS-36
6	Cast-iron grating		SPZKIP-10
7	Water tap	Pro 20 RS/LS/ES	SPZVS-100
8	Water container lid	Pro 20 RS/LS	SPZROST-619
10	Water container	Pro 20 RS/LS	SP520
11	Water container	Pro 20 ES	SP035



1



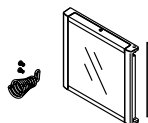
2



3



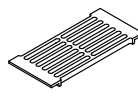
4



5



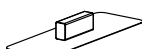
6



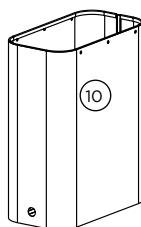
7



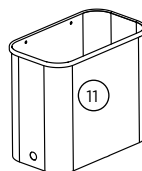
8



9



10



11

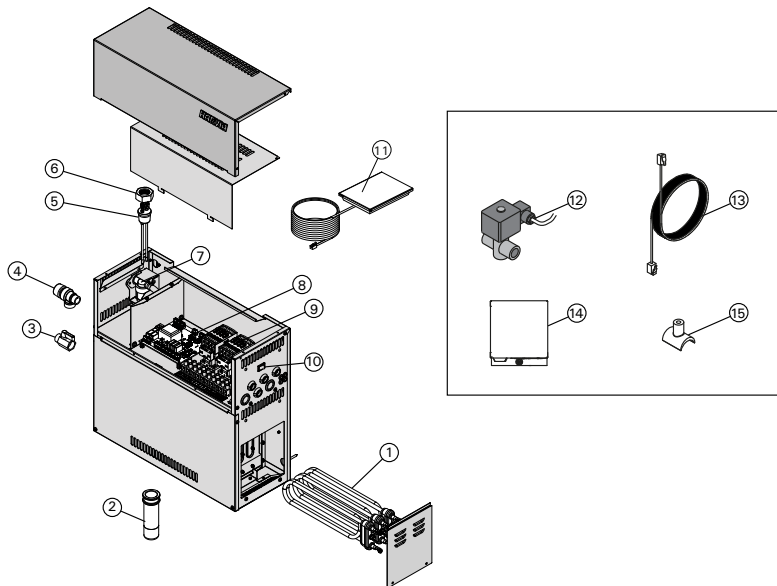
## HGD WIFI

### Itm.Nr. HGD45XW, HGD60XW, HGD90XW, HGD110XW, HGD150XW

No.	Name	Model	Item code	pcs.
1	Heating element 1500 W/230 V	HGD45XW	SPZG-330T	3
	Heating element 1900 W/230 V	HGD60XW	SPZG-340T	3
	Heating element 3000 W/230 V	HGD90XW	SPZG-350T	3
	Heating element 3600 W/230 V	HGD110XW	SPZG-360T	3
	Heating element 5000 W/230 V	HGD150XW	SPZG-365T	3
2	Sediment cup		SPZSTM-170	1
3	Manual discharge valve		SPZG-575	1
4	Overpressure valve		SPZG-580	1
5	Water level sensor		SPZSG-092	1
6	Nut		SPZSG-014	1
7	Solenoid valve		SPZG-379	1
8	Circuit board		SP645	1
9	Contactors		SPZSK-778	2
10	Main switch		SPZSK-684	1
11	Control panel		SP700	1

### Optional parts and devices

12	Automatic discharge valve	ZG-700
13	Data cable 1.5 m	SP312
	Data cable 10 m	SP315
	Data cable 20 m	SP319
14	Fragrance pump	ZG-900
15	Connection part for fragrance pump	SPZSTM-195

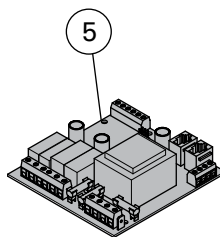
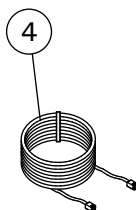
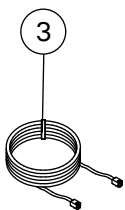




**Xenio CX45J 200-208 VAC**

**Itm.Nr. CX45J**

1	Control panel	SP387
2	Temperature sensor	SP232
3	Data cable 5 m	SP311
4	Data cable extension 10 m (optional)	SP313
5	Circuit board	SP361J



**Safety Switch (Control unit accessory)**

**Itm.Nr. SFE-220400, SFE-350400, SFE-500500, SFE-D350, SFE-D450, SFE-D530**

No.	Name	Item code
1	Micro switch	SPY08-0008
2	Spring	SPY06-0023

