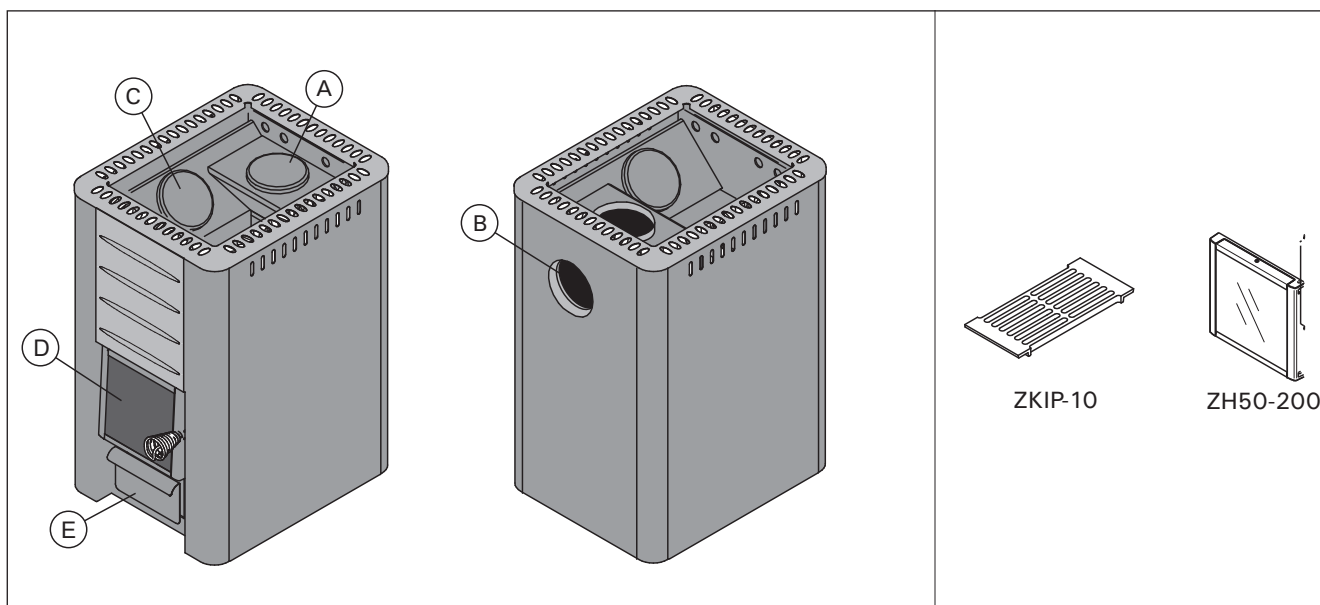


## 1.2. Stove Parts

- A. Upper connection opening
- B. Rear connection opening
- C. Soot opening
- D. Stove door
- E. Ash box



**Stove parts**