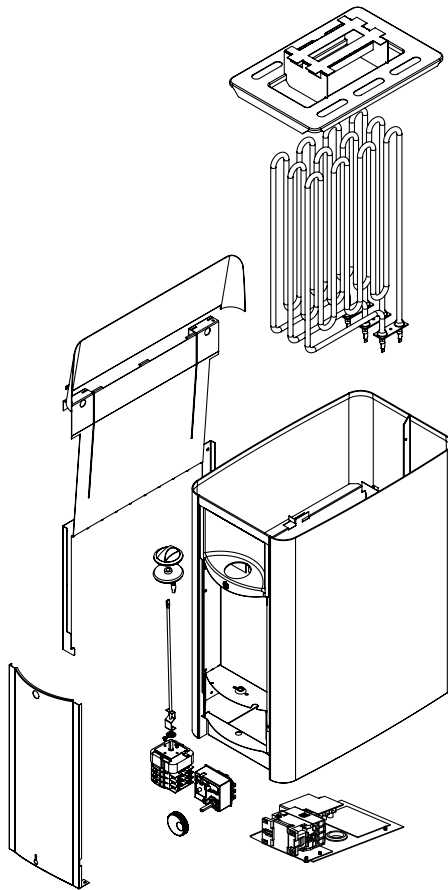


HARVIA SPARE PARTS



ELECTRIC HEATERS

Cilindro PC70(E) 6,8 kW / PC90(E) 9,0 kW

Itm.Nr. HPC700400M, HPC700400M, HPC700400, HPC700400H, HPC700400, HPC700400F, HPC700400H, HPC700400B, HPC700400B, HPC900400M, HPC900400M, HPC900400, HPC900400H, HPC900400, HPC900400F, HPC900400H, HPC900400B, HPC900400B.....4

Cilindro PC70(XE/XW) 6,8 kW / PC90(XE/XW) 9,0 kW

Itm.Nr. HPC7004MXE, HPC704XE, HPC9004MXE, HPC904XE7

Cilindro Plus PP70(E/SP) 6,8 / PP90(E/SP) 9,0 kW

Itm.Nr. HPP700400SP, HPP900400SP, HPP700400, HPP900400, HPP700400E, HPP900400E5

Cilindro Pro PC100E/135E 13,2 kW / PC165E/200 19,8 kW

Itm.Nr. HPC100400, HPC165400, HPC100400M, HPC165400M.....6

Club Combi (K10,5GS 10,5kW / K15GS 15 kW / K13,5GS 13,5 kW)

Itm.Nr. HRKG110400S, HRKG135400S, HRKG150400S.....10

Delta D23 2,3 kW / D36 3,6 kW

Itm.Nr. HD234M, HDE234M, HD294M, HDE294M, HD364M, HDE364M8

Delta D36 2,7 kW JAPAN

Itm.Nr. HD272M.....9

Figaro FG70(E) 6,8 kW / FG90(E) 9,0 kW

Itm.Nr. HFG700400M, HFG700400M, HFG700400M, HFG900400M, HFG700400V, HFG900400V, HFG700400V, HFG900400V11

Forte AFB40 4 kW / AFB60 6,0 kW / AFB90 9,0 kW

Itm.Nr. HAFB400400M, HAFB400400S, HAFB600400M, HAFB600400S, HAFB900400M, HAFB900400S12

Glow Corner TRC70 6.8 kW / TRC90 9.0 kW

Itm.Nr. HTRC700400, HTRC90040014

Glow TRT70XE 6,8 kW / TRT90XE 9,0 kW)

Itm.Nr. HTRT704XE, HTRT904XE13

KIP45(E) 4,5 kW / KIP60(E) 6,0 kW / KIP80(E) 8,0 kW / KIP90(E) 9.0 kW)

Itm.Nr.HBK450230, HBK600230, HBK800230, HBK450230S, HBK600230S, HBK800230S, HBK900230S, HBK900230, HEK900230, HEK900230S, HEK800230, HEK800230S, HEK450230, HEK450230S, HEK450230, HEK600230S, HEK60023015

KIP60E 5,5 kW 200 V / KIP80E 7,4 kW 200 V JAPAN

Itm.Nr. HEK602S, HEK602M, HEK802S, HEK802M.....16

Kivi PI70 6.9 kW / PI90 9.0 kW

Itm.Nr. HPI700400, HPIE700400, HPI900400, HPIE90040017

Legend PO70(E/XW) 6.8 kW / PO110(E/XW) 10.8 kW

Itm.Nr. HPOE704, HPOE1104, HPO704XW, HPO1104XW.....18

Legend Pro PO11E 11 kW / PO165E 16,5 kW

Itm.Nr. HPO110400M, HPO16540019

Moderna XE V45XE 4,5 kW / V60XE 6,0 kW / V80XE 8,0 kW

Itm.Nr. HVE454XEM, HVE604XEM, HVE804XEM20

Modulo Alto MDA165/200G 16.6 kW / 19.8 kW

Itm.Nr. HMDA1654G, HMDA1654GL, HMDA1654GR, HMDA1654C22

Modulo MD135(G/GR/GL/H) / 160(G/GR/GL/H) / 180(G/GR/GL/H)

Itm.Nr. HMD135400, HMD1354H, HMD1354GL, HMD1354GR, HMD1354G, HMD160400, HMD1604H, HMD1604GR, HMD1604GL, HMD1604G, HMD180400, HMD1804H, HMD1804GR, HMD1804GL, HMD1804G.....21

Qube 9.0-15 kW

Itm.Nr. QUBE-090, QUBE-105, QUBE-120, QUBE-15023

Qube Pro 240 18-24 kW / Qube Pro 360 30-36 kW

Itm.Nr. QUBE-240, QUBE-36024

Series 100-200 ST145(B/BE) 4,5 kW / ST160(B/BE) 6,0 kW / ST180(B/BE) 8,0 kW / ST190(B/BE) 9,0 kW /

ST245BE 4,5 kW / ST260BE 6,0 kW / ST290BE 9,0 kW

Itm.Nr. ST145400B, ST145400BE, ST160400B, ST160400BE, ST180400B, ST180400BE, ST190400B, ST190400BE, ST245400BE, ST260400BE, ST280400BE, ST290400BE.....25

Series 100 ST136(B/BE) 3,6 kW

Itm.Nr. ST1364B, ST1364BE8

Spirit SP60E 6.0 240V 1ph / SP80E 240V 1ph	
Itm.nr. HSPE60U1M, HSPE80U1M.....	28
Spirit SP60E 6,0 kW 200V Japan / SP90E 9,0 kW 200 V JAPAN	
Itm.Nr. HSPE602M, HSPE902M.....	27
Spirit SP60E 6,0 kW / SP90E 9,0 kW	
Itm.Nr. HSPE604M, HSPE904M, HSP604MXW, HSP904MXW	26
Sähköri (6.0-8.0 kW)	
HBH600400, HBH800400, HBH450400, HBH600400ST, HBH800400ST.....	15
The Wall Combi SW45S(A) 4,5 kW / SW70S(A) 7,0 kW / SW90S(A) 9,0 kW	
Itm.Nr. HSW450400SA, HSW700400SA, HSW900400SA, HSW900400S, HSW450400S, HSW700400S.....	32
The Wall SW45(E) 4,5 kW 200V Japan / SW60(E) 6.0 kW 200V Japan / SW90(E) 9.0 kW 200V Japan	
Itm.Nr. HSW452M, HSWE452M, HSW602M, HSWE602M, HSW902M, HSWE902M.....	31
The Wall SW45(E) 4.5 kW / SW60(E) 6,0 kW / SW90(E) 9.0 kW	
Itm.Nr. HSWE450400, HSWE450400M, HSWE600400, HSWE600400M, HSWE900400, HSWE900400M, HSW450400, HSW450400M, HSW600400, HSW600400M, HSW800400, HSW800400M.....	30
Vega BC45(E) 4,5 kW / BC60(E) 6,0 kW / BC90(E) 9.0 kW	
Itm.Nr. HCB450400S, HCB600400S, HCB800400S, HCB900400S, HCBE450400S, HCBE600400S, HCBE800400S, HCBE900400S	33
Vega Compact BC23(E) 2.3 kW / BC35(E) 3.5 kW	
Itm.Nr. HCB230400S, HCB350400S, HCBE230400S, HCBE350400S.....	34
Vega Pro BC10S 10.5 kW / BC13S 13.5 kW / BC16S 16.5 kW	
Itm.Nr. HCB105400S, HCB135400S, HCB165400S.....	35
Virta Combi HL70S(A) 7 kW / HL90S(A) 9 kW / HL110S(A) 11 kW	
Itm.Nr. HL700400S, HL900400S, HL110400S, HL700400SA, HL900400SA, HL110400SA.....	36
Virta HL70 6,8 kW / HL90 9,0 kW / HL110 10,8 kW	
Itm.Nr. HL700400, HL900400, HL110400	29
Virta Pro Combi HL135SA 13.5 kW / HL160SA 15.8 kW / HL220SA 21.6 kW	
Itm.Nr. HL135400SA, HL160400SA, HL220400SA, HL220400SAX	38
Virta Pro HL13S 13.5 kW / HL160 15.8 kW / HL220 21.6 kW	
Itm.Nr. HL135400, HL135400X, HL160400, HLS160400, HL160400X, HL220400, HLS220400, HL220400X	37
WOOD BURNING HEATERS	
Pro 20, Pro 20 RS, Pro 20 LS, Pro 20 ES, Pro 26, Pro 36, Linear 22, Linear 28 (Versions 2024 or later)	
Itm.Nr. WKPR20M, WKPR20RSM, WKPR20LSM, WKPR20ESM, WKPR26M, WKPR36M, WKLI20M, WKLI26M.....	40
Pro 20, Pro 20 RS, Pro 20 LS, Pro 20 ES, Pro 26, Pro 36 (Versions before 2024)	
Itm.Nr. WKP200, WKP200RS, WKP200LS, WKP200ES, WKP260, WKP360	41
STEAM GENERATORS	
HGD WIFI	
Itm.Nr. HGD45XW, HGD60XW, HGD90XW, HGD110XW, HGD150XW.....	42
CONTROL UNITS	
C80, C90, C150	
Itm.Nr. C080230, C090400, C150400.....	43
C170VKK	
Itm.Nr. C170400VKK.....	44
C400VKK	
Itm.Nr. C400400VKK.....	45
Xenio Combi CX110CXW WIFI	
Itm.Nr. CX1104CXW	46
Xenio CX170	
Itm.Nr. CX170400.....	47
Xenio CX170WIFI	
Itm.Nr. CX1704XW	47

Xenio CX45J 200-208 VAC	
Itm.Nr. CX45J.....	48
Xenio CX180-45, CX180-45XW (max.9-29 kW)	
Itm.Nr. CX180-45, CX180-45XW.....	49
LTY180-45	
Itm.Nr. LTY180-45.....	49

ACCESSORIES

Safety Switch (Control unit accessory)	
Itm.Nr. SFE-220400, SFE-350400, SFE-500500, SFE-D350, SFE-D450, SFE-D530.....	50

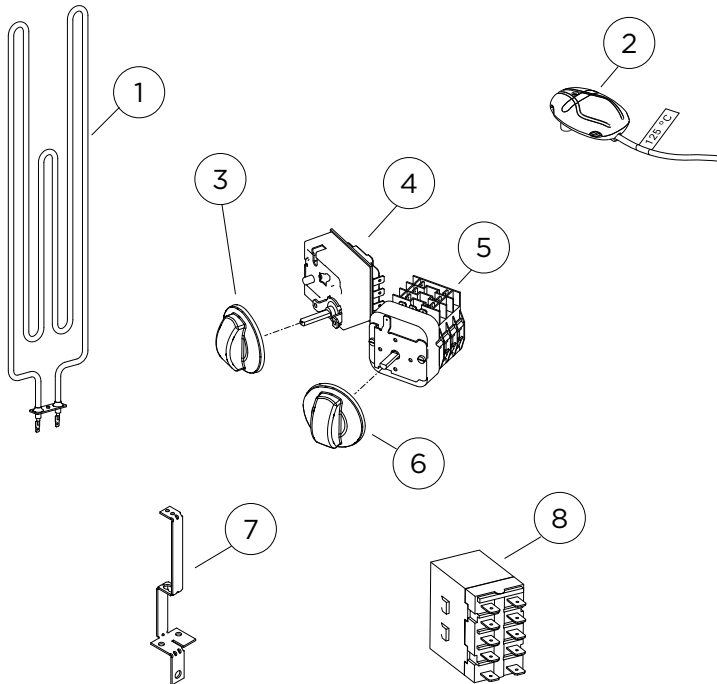
OTHER DOCUMENTS

Harvia heating elements compatibility.....	51
Harvia warranty terms and conditions.....	54

Cilindro PC70(E) 6,8 kW / PC90(E) 9,0 kW

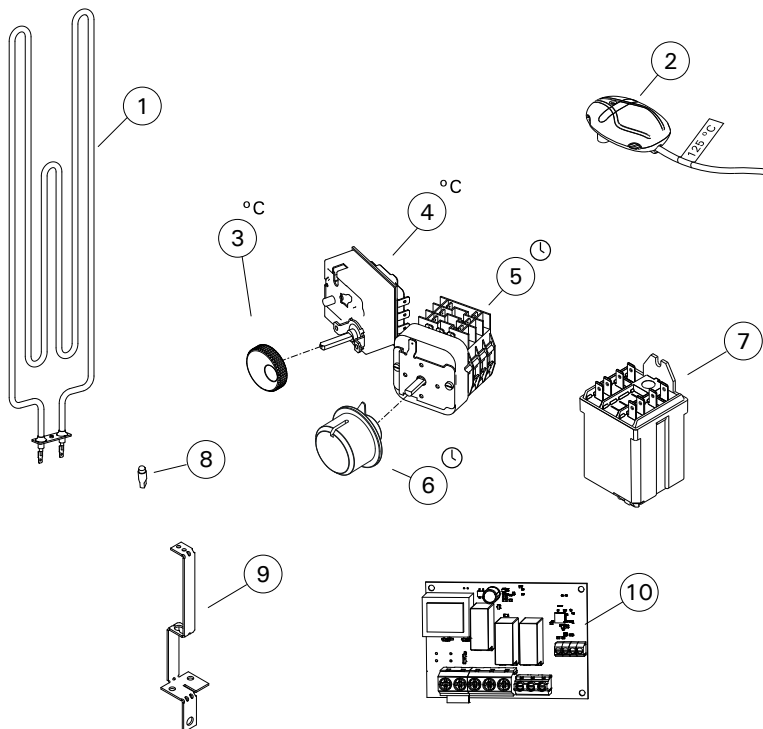
Itm.Nr. HPCE700400M, HPC700400M, HPCE700400, HPCE700400H, HPC700400, HPC700400F, HPC700400H, HPC700400B, HPCE700400B, HPCE900400M, HPC900400M, HPCE900400, HPCE900400H, HPC900400, HPC900400F, HPC900400H, HPC900400B, HPCE900400B

No.	Name	Type	Item code
1	Heater element 2260 W x 3	PC70/E/H/HE/F	SPZRH-720
	Heater element 3000 W x 3	PC90/E/H/HE/F	SPZSE-259
2	Temperature sensor 125 °C	PC-E/HE	SP248
3	Knob for thermostat	PC/-H/-F	SPZST-220
4	Thermostate/overheating limiter switch	PC/-H/-F	SPZSK-520
5	Timer	PC/-H/-F	SPZSK-510
6	Knob for timer	PC/-H/-F	SPZST-230
7	Sensor bracket	PC/-H/-F	SPZSC-145
8	Contactora K1	PC90/H/F	SP225



Cilindro Plus PP70(E/SP) 6,8 / PP90(E/SP) 9,0 kW**Itm.Nr. HPP700400SP, HPP900400SP, HPP700400, HPP900400, HPP700400E, HPP900400E**

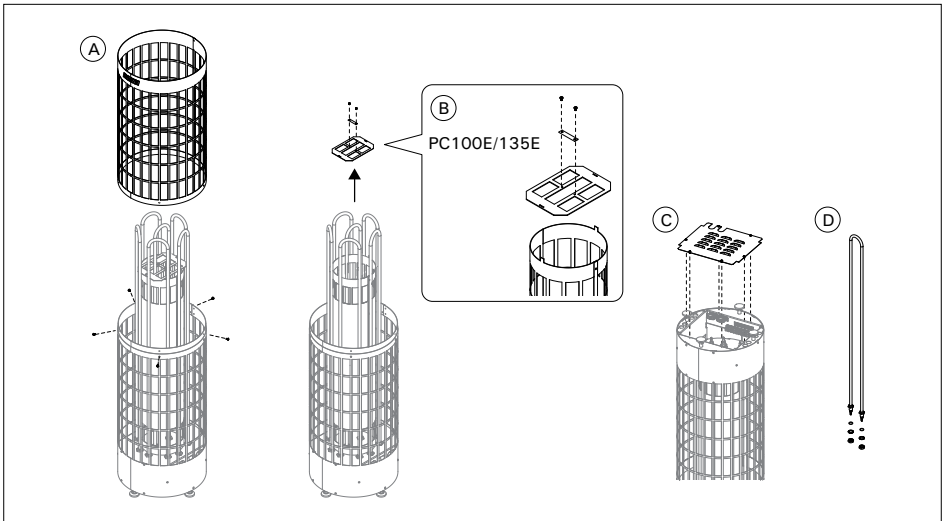
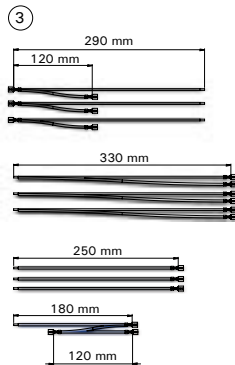
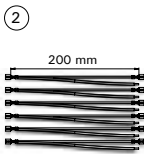
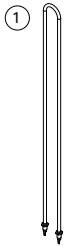
No.	Name	Type	Item code	pcs
1	Heating element 2260W / 230V	PP70/-E/-SP	SPZRH-720	3
	Heating element 3000W / 230V	PP90/-E/-SP	SPZSE-259	3
2	Temperature sensor (125°C limiter)	PP-E	SP248	
3	Thermostat knob	PP, PP-SP	SPZWA-021	
4	Thermostat overheating limiter switch	PP, PP-SP	SPZSK-520	
5	Timer 4+8h	PP	SPZSK-510	
6		PP	SP654	
7		PP90	SP207	
8	Pilot lights, red	PP, PP-SP	SPZWA-061	
9		PP, PP-SP	SPZSC-145	
10		PP-SP	SP663	



Cilindro Pro PC100E/135E 13,2 kW / PC165E/200E 19,8 kW

Itm.Nr. HPCE100400, HPCE165400, HPCE100400M, HPCE165400M

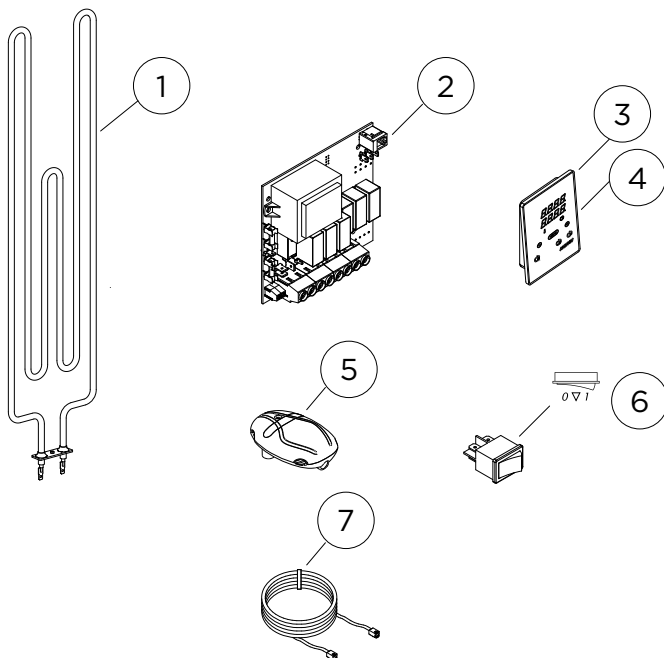
No.	Name	Type	Item code	pcs
1	Heating element 2200 W / 230 V	PC100E/135E	SPZSC-022	6
		PC165E/200E		9
2	Wiring harness	PC100E/135E	SPZSC-716	1
3	Wiring harness	PC165E/200E	SPZSC-766	1
4	Temperature sensor		SP247	1



Cilindro PC70(XE/XW) 6,8 kW / PC90(XE/XW) 9,0 kW

Itm.Nr. HPC7004MXE, HPC704XE, HPC9004MXE, HPC904XE

No.	Name	Type	Item code
1	Heater element 2260 W x 3	70XE, 70XW	SPZRH-720
1	Heater element 3000 W x 3	90XE, 90XW	SPZSE-259
2	Circuid board		SP683
3	Control panel	70XE, 90XE	SP380
4	Control panel	70XW, 90XW	SP694 (Wifi)
5	Temperature sensor 125 °C		SP248
6	Main switch		SPZSK-684
7	Datacable 5 m		SP311

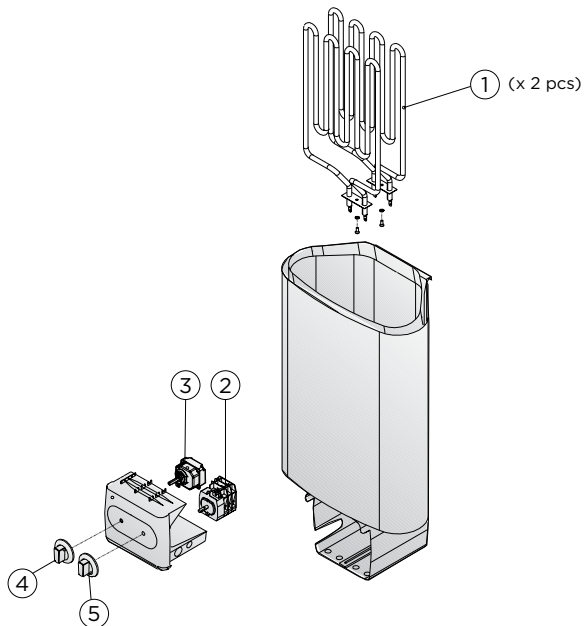


Delta D23 2,3 kW / D36 3,6 kW**Itm.Nr. HD234M, HDE234M, HD294M, HDE294M, HD364M, HDE364M**

No.	Name	Type	Item code
1	Heating element 1800 W / 230 V	D29/D29E x1 D36/D36E x2	SPZSN-160
1	Heating element 1150 W / 230 V	D23/D23E x2 D29/D29E x1	SPZSN-150
2	Timer		SPZSK-510
3	Thermostat		SPZSK-520
4	Thermostat knob		SPZST-220
5	Timer knob		SPZST-230

Series 100 ST136(B/BE) 3,6 kW**Itm.Nr. ST1364B, ST1364BE**

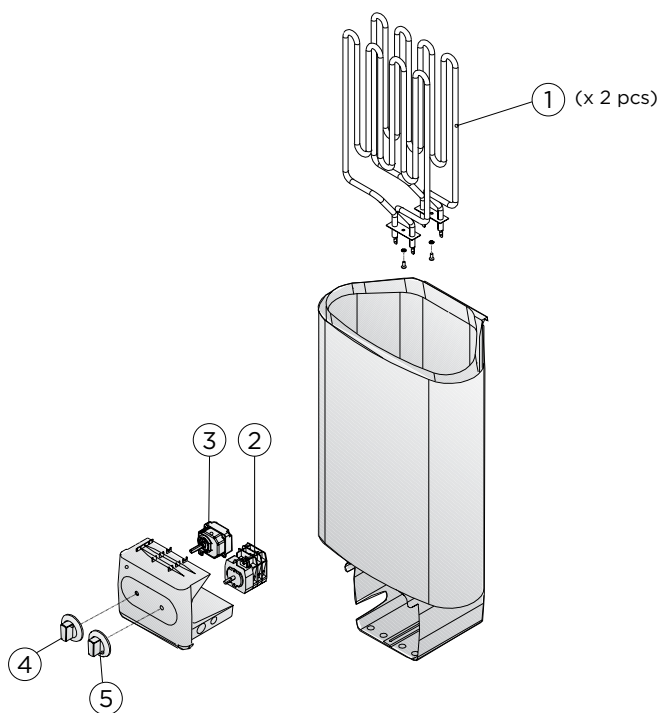
No.	Name	Type	Item code
1	Heating element 1800 W / 230 V	136, 136E	SPZSN-160
2	Timer	136	SPZSK-510
3	Thermostat	136	SPZSK-520
4	Thermostat knob	136	SPZST-220
5	Timer knob	136	SPZST-230



Delta D36 2,7 kW JAPAN

Itm.Nr. HD272M

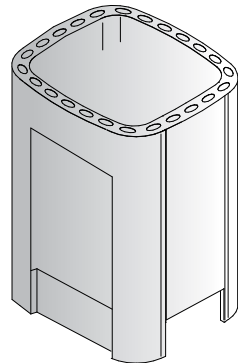
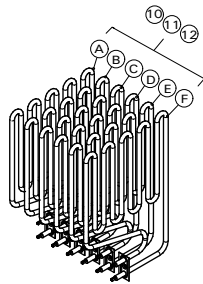
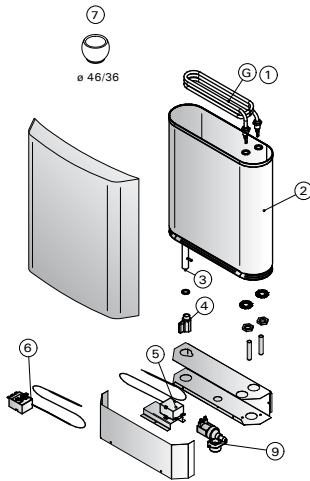
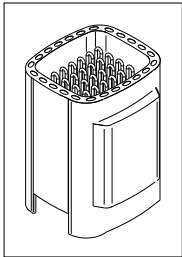
No.	Name	Item code
1	Heating element x2	SPZSN-160
2	Timer	SPZSK-510-4
3	Thermostat	SPZSK-520
4	Thermostat knob	SPZST-220
5	Timer knob	SPZST-230-4



Club Combi (K10,5GS 10,5kW / K15GS 15 kW / K13,5GS 13,5 kW)

Itm.Nr. HRKG110400S, HRKG135400S, HRKG150400S

No.	Name		Item code	pcs
1	Evaporator heating element 2000 W/230 V		SPZH-104	1
2	Watertank	K10.5GS-K15GS	SPZSL-795B	1
3	Drain pipe, assembled		SPZH-110	1
4	Tap R 1/4		SPZH-130	1
5	Overheating limiter, combi heaters		SPZSK-764	1
6	Thermostat 110 °C		SPZSN-250	1
7	Soapstone cup ø 46/36		SPZH-205	
8	Relay K2		SPZSF-730	
9	Solenoid valve 230VAC		SPZSS-610	1
10	Heating element 1500W 230V	K10,5GS	SPZSS-110	3
11	Heating element 2000W 230V	K13,5GS	SPZSS-120	3
		K10,5GS		3
12	Heating element 2500W 230V	K13,5GS	SPZSP-250	3
		K15GS		6

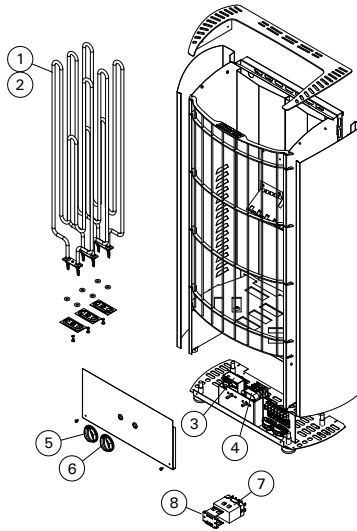


TYP	POWER							TOTAL POWER STEAMER OFF	TOTAL POWER STEAMER ON
	A	B	C	D	E	F	G		
K10.5GS	1500	2000	1500	2000	1500	2000	2000	10.5kW	10.5kW
K13.5GS	2500	2000	2500	2000	2500	2000	2000	13.5kW	13kW
K15GS	2500	2500	2500	2500	2500	2500	2000	15kW	14.5kW

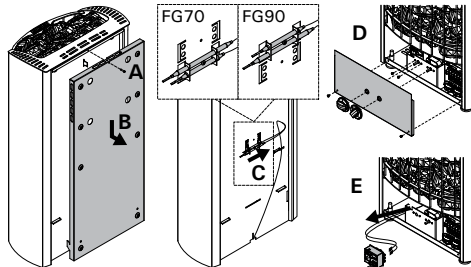
Figaro FG70(E) 6,8 kW / FG90(E) 9,0 kW

Itm.Nr. HFG700400M, HFG700400M, HFGE700400M, HFGE900400M, HFG700400V, HFG900400V, HFGE700400V, HFGE900400V

No.	Name	Type	Item code
1	Heating element 2260 W	FG70, FG70E	SPZRH-720
2	Heating element 3000 W	FG90, FG90E	SPZSE-259
3	Thermostat	FG70, FG90	SPZSK-520
4	Timer	FG70, FG90	SPZSK-510
5	Thermostat switch	FG70, FG90	SPZST-220
6	Timer switch	FG70, FG90	SPZST-230
7	Contactor 1 3-phase	FG90	SP225
8	Contactor bracket	FG90	SP199



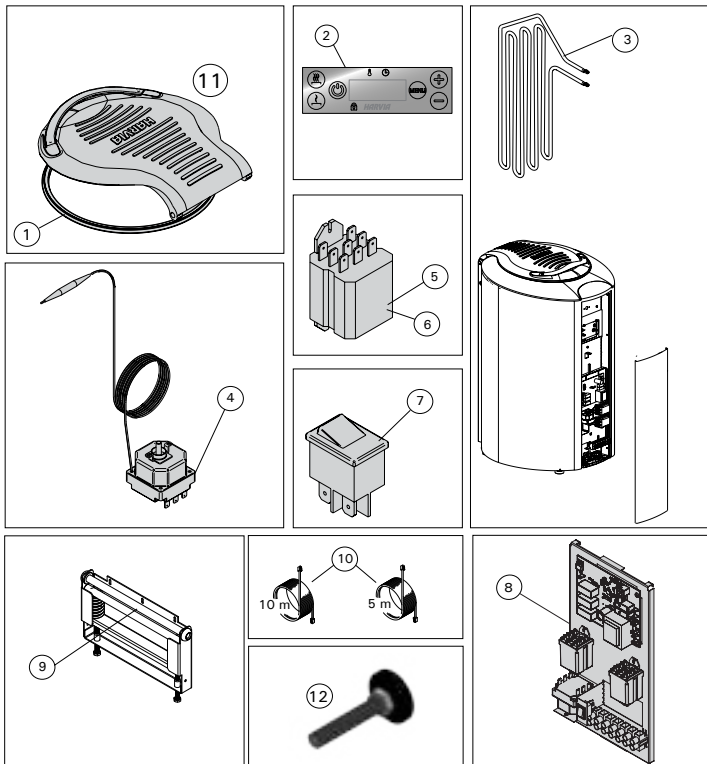
REPLACING THE THERMOSTAT



Forte AFB40 4 kW / AFB60 6,0 kW / AFB90 9,0 kW

Itm.Nr. HAFB400400M, HAFB400400S, HAFB600400M, HAFB600400S, HAFB900400M, HAFB900400S

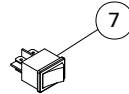
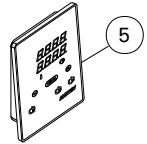
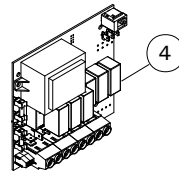
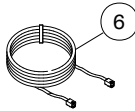
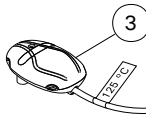
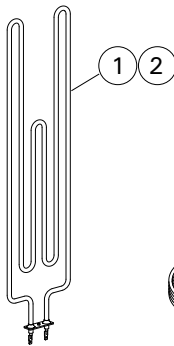
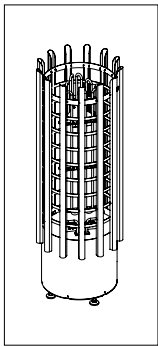
No.	Name	Type	Item code	PCS
1	Gasket		SPZSF-230	
2	Control panel		SP611	
3	Heater element	AFB4	SPZSF-20U	3
3	Heater element	AFB6	SPZSF-30	3
3	Heater element	AFB9	SPZSF-50	3
4	Overheat limiter switch		SPZSF-710	
5	Contactora K1		SP207	
6	Contactor K2		SP208	
7	ON/OFF electric switch		SPZSK-684	
8	Power electronic without display		SP612	
9	Repair set for hinges		SP260	
10	Data cable 5m		SP311	
10	Data cable 10m		SP315	
11	Hatch		SP272	
12	Adjustable leg		SPZSA-440	



Glow TRT70XE 6,8 kW / TRT90XE 9,0 kW)

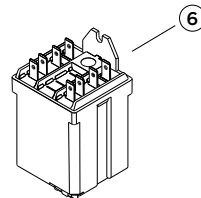
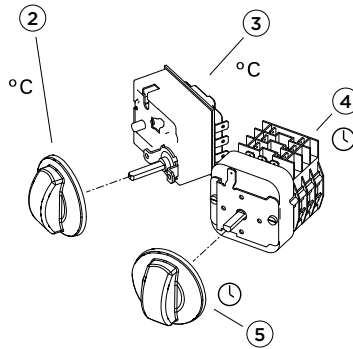
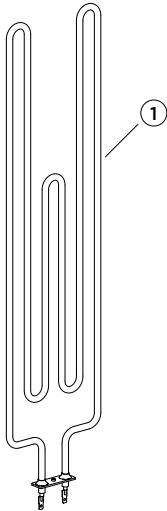
Itm.Nr. HTRT704XE, HTRT904XE

No.	Name	Type	Item code	pcs.
1	Heater element (2260 W)	TRT70XE	SPZRH-720	3
2	Heater element (3000 W)	TRT90XE	SPZSE-259	3
3	Temperature sensor (125 °C)		SP248	
4	Circuit board		SP683	
5	Control panel		SP380	
6	Data cable, 5 m		SP311	
7	Power switch and cover, white		SPZSK-684	



Glow Corner TRC70 6.8 kW / TRC90 9.0 kW**Itm.Nr. HTRC700400, HTRC900400**

No.	Name	Type	Item code	pcs.
1	Heater element (2260 W)	TRC70	SPZRH-720	3
1	Heater element (3000 W)	TRC90	SPZSE-259	3
2	Thermostat knob		SPZST-220	
3	Thermostat		SPZSK-520	
4	Timer		SPZSK-510	
5	Timer knob		SPZST-230	
6	Contactors	TRC90	SP207	



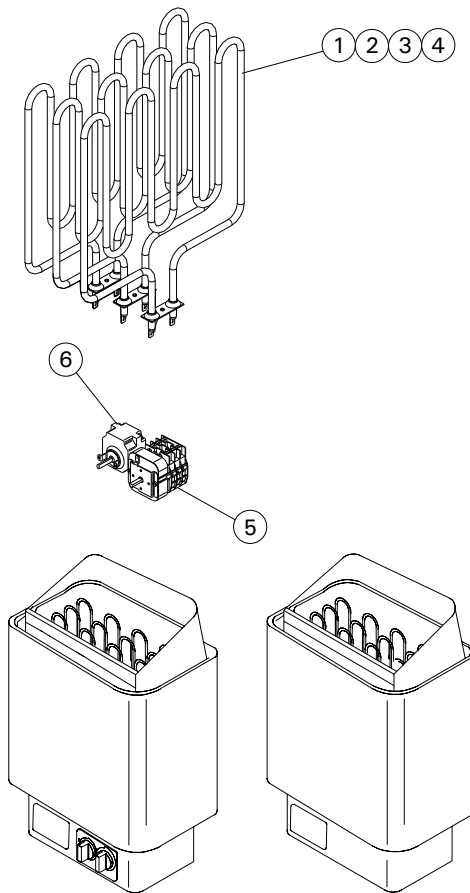
KIP45(E) 4,5 kW / KIP60(E) 6,0 kW / KIP80(E) 8,0 kW / KIP90(E) 9.0 kW

Itm.Nr.HBK450230, HBK600230, HBK800230, HBK450230S, HBK600230S, HBK800230S, HBK900230S, HBK900230, HEK900230, HEK900230S, HEK800230, HEK800230S, HEK450230, HEK450230S, HEK450230, HEK600230S, HEK600230

Sähköri (6.0-8.0 kW)

HBH600400, HBH800400, HBH450400, HBH600400ST, HBH800400ST

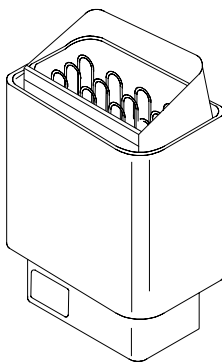
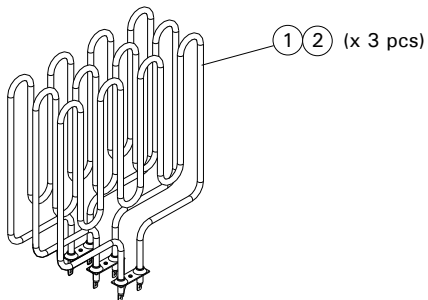
No.	Name	Type	Item code
1	Heater element 1500 W / 230 V	45/E	SPZSK-690
2	Heater element 2000 W / 230 V	60/E	SPZSK-700
3	Heater element 2670 W / 230 V	80/E	SPZSK-710
4	Heater element 3000 W / 230 V	90/E	SPZSK-720
5	Timer 4+8h		SPZSK-510
6	Thermostat overheating limiter switch		SPZSK-520



KIP60E 5,5 kW 200 V / KIP80E 7,4 kW 200 V JAPAN

Itm.Nr. HEK602S, HEK602M, HEK802S, HEK802M

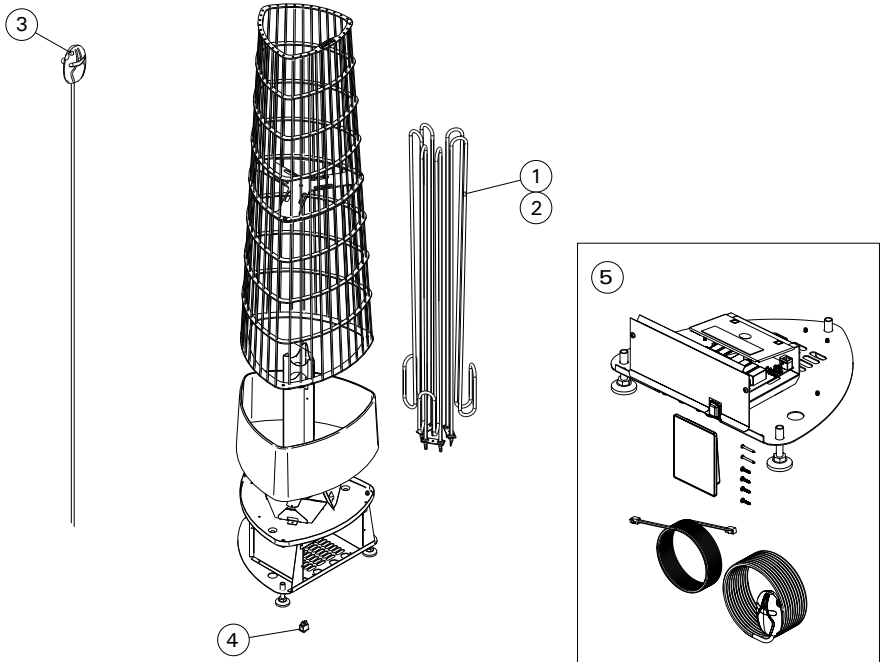
No.	Name	Type	Item code
1	Heater element x 3	HEK602S/M	SPZSK-742I
2	Heater element x 3	HEK802S/M	SPZSK-745I



Kivi PI70 6.9 kW / PI90 9,0 kW

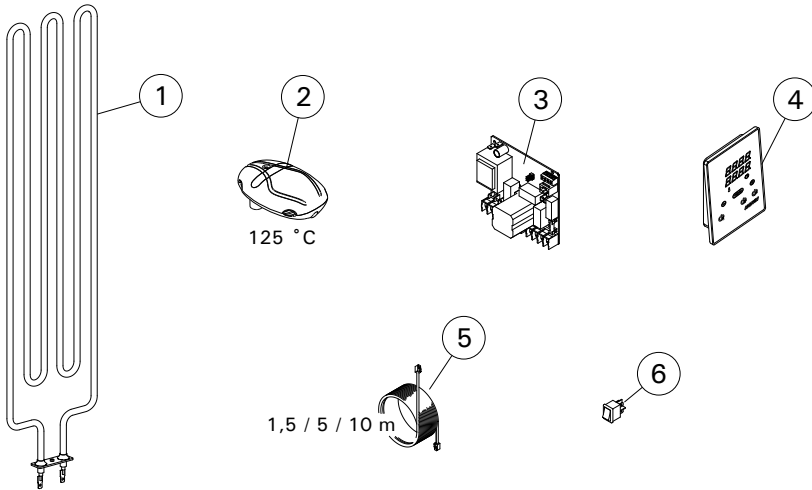
Itm.Nr. HPI700400, HPIE700400, HPI900400, HPIE900400

No.	Name	Type	Item code
1	Heater element 2300 W	PI70, PI70E	SPZRH-247
2	Heater element 3000 W	PI90, PI90E	SPZRH-249
3	Temperature sensor 125 °C		SP248
4	Main switch		SPZSK-684
5	Power Unit SET Kivi EE/XE	PI70, PI90	SPZRH-309XE



Legend PO70(E/XW) 6.8 kW / PO110(E/XW) 10.8 kW**Itm.Nr. HPOE704, HPOE1104, HPO704XW, HPO1104XW**

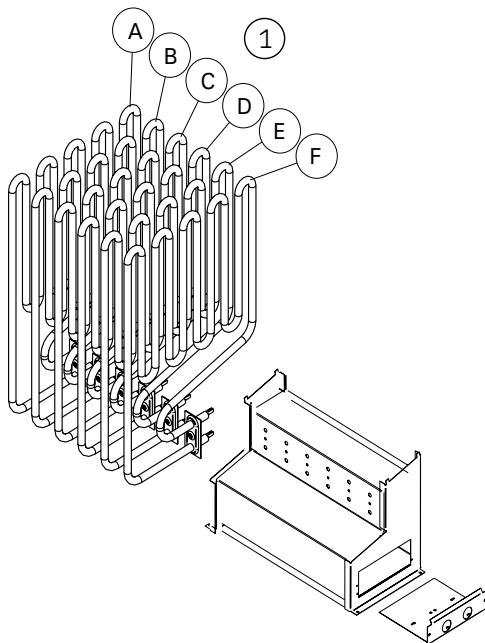
No.	Name	Type	Item code
1	Heater element 3600 W	PO110XE, PO110E	SPZSC-360
	Heater element 2260 W	PO70XE, PO70E	SPZRH-720
2	Temperature sensor 125 ° C		SP248
3	Circuid board	PO70XE, PO110XE	SP683
4	Display board	PO70XE, PO110XE	SP380
5	Datacable 5m	PO70XE, PO110XE	SP311
	Datacable 1,5m	PO70XE, PO110XE	SP312
	Datacable 10m	PO70XE, PO110XE	SP315
6	Main switch	PO70XE, PO110XE	SPZSK-684



Legend Pro PO11E 11 kW / PO165E 16,5 kW

Itm.Nr. HPO110400M, HPO165400

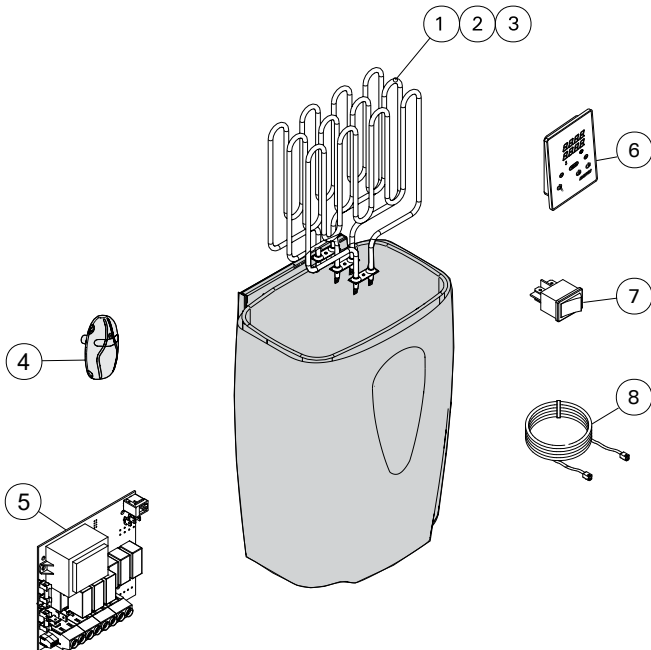
No.	Name	Type	Item code	pcs
1	Heater element 2150 W 230 V	PO11	SPZSP-240	3 (A, B, F)
	Heating element 1500W 230V	PO11	SPZSS-110	3 (C, D, E)
	Heating element 3000W 230V	PO165	SPZSP-255	3 (A, B, F)
	Heating element 2500W 230V	PO165	SPZSP-250	3 (C, D, E)



Moderna XE V45XE 4,5 kW / V60XE 6,0 kW / V80XE 8,0 kW

Itm.Nr. HVE454XEM, HVE604XEM, HVE804XEM

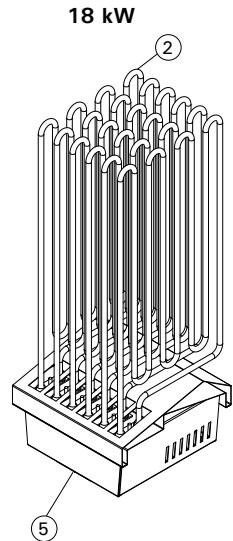
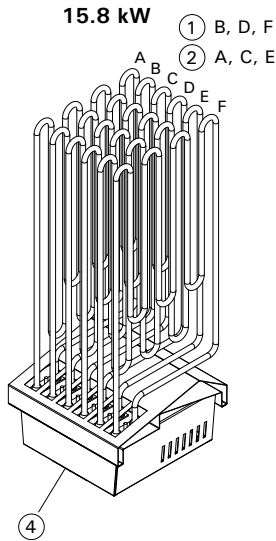
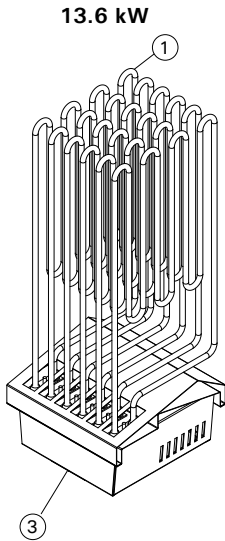
No.	Name	Item code
1	Heater element 1500 W / 230 V	SPZSK-690
2	Heater element 2000 W / 230 V	SPZSK-700
3	Heater element 2670 W / 230 V	SPZSK-710
4	Temperature sensor 135°C	SP247
5	Circuid board	SP683
6	Control panel	SP380
7	ON/OFF electric switch	SPZSK-684
8	Data cable 5 m	SP311



Modulo MD135(G/GR/GL/H) / 160(G/GR/GL/H) / 180(G/GR/GL/H)

Itm.Nr. HMD135400, HMD1354H, HMD1354GL, HMD1354GR, HMD1354G, HMD160400, HMD1604H, HMD1604GR, HMD1604GL, HMD1604G, HMD180400, HMD1804H, HMD1804GR, HMD1804GL, HMD1804G

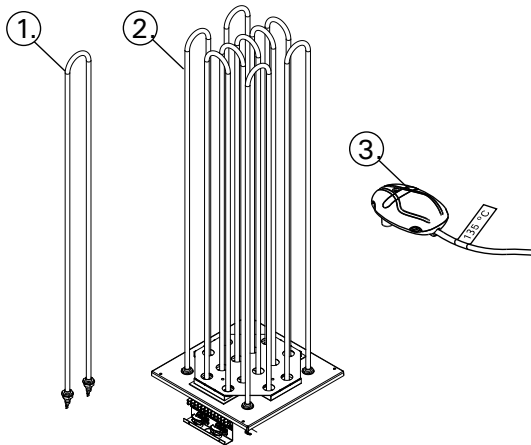
No.	Name	Item code	pcs
1	Heating element 2260 W / 230 V	13.6 kW	6
		15.8 kW	3 (B, D, F)
2	Heating element 3000 W / 230 V	15.8 kW	3 (A, C, E)
		18 kW	6
3	Heating element module	SPZLE-005	1
4	Heating element module	SPZLE-006	1
5	Heating element module	SPZLE-007	1



Modulo Alto MDA165/200G 16.6 kW / 19.8 kW

Itm.Nr. HMDA1654G, HMDA1654GL, HMDA1654GR, HMDA1654C

No.	Name	Item code
1	Heating element 2200 W / 230 V	SPZSC-022
2	Heating element module	SPZLE-530
3	Temperature sensor (135°C limiter)	SP255



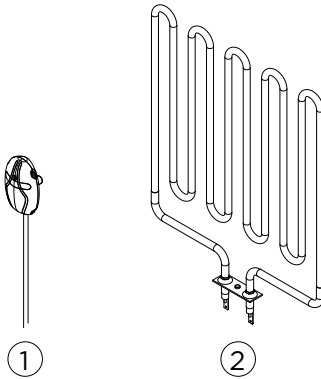
Qube 9.0-15 kW**Itm.Nr. QUBE-090, QUBE-105, QUBE-120, QUBE-150**

No.	Name	Type	Item code	pcs
	Heater element	QUBE-90	SPSEN-002	6
	Heater element	QUBE-105	SPSEN-002	3
			SPSEN-003	3
	Heater element	QUBE-120	SPSEN-002	6
			SPSEN-005	3
	Heater element	QUBE-150	SPSEN-002	6
			SPSEN-003	3

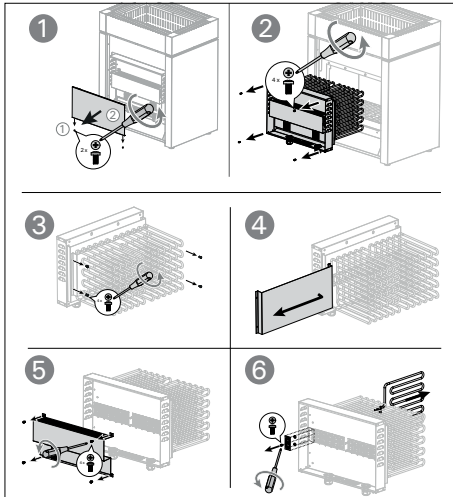
Qube Pro 240 18-24 kW / Qube Pro 360 30-36 kW

Itm.Nr. QUBE-240, QUBE-360

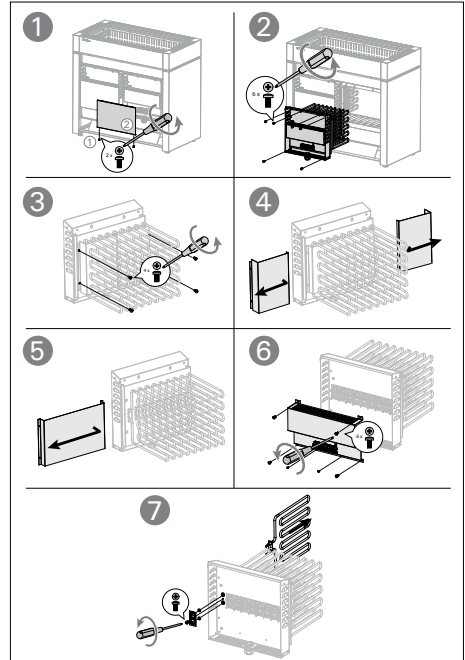
No.	Name	Type	Item code
1	Temperature sensor	QUBE-240	SP255
		QUBE-360	SP233
2	Heater element	QUBE-240	SPSEN-003
		QUBE-360	SPSEN-012



QUBE-240



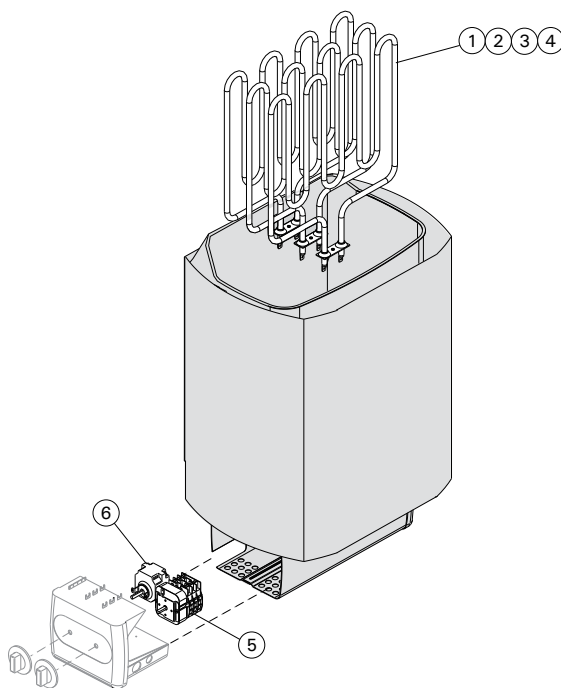
QUBE-360



Series 100-200 ST145(B/BE) 4,5 kW / ST160(B/BE) 6,0 kW / ST180(B/BE) 8,0 kW / ST190(B/BE) 9,0 kW / ST245BE 4,5 kW / ST260BE 6,0 kW / ST290BE 9,0 kW

Itm.Nr. ST145400B, ST145400BE, ST160400B, ST160400BE, ST180400B, ST180400BE, ST190400B, ST190400BE, ST245400BE, ST260400BE, ST280400BE, ST290400BE

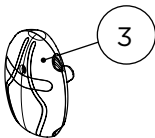
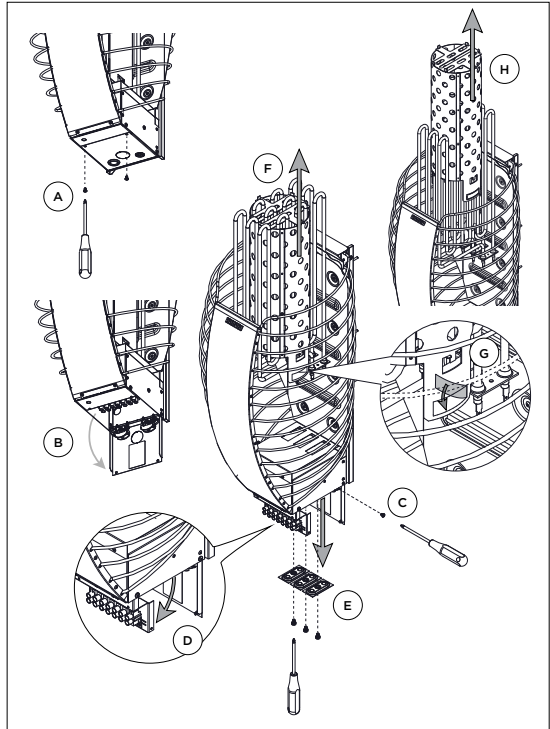
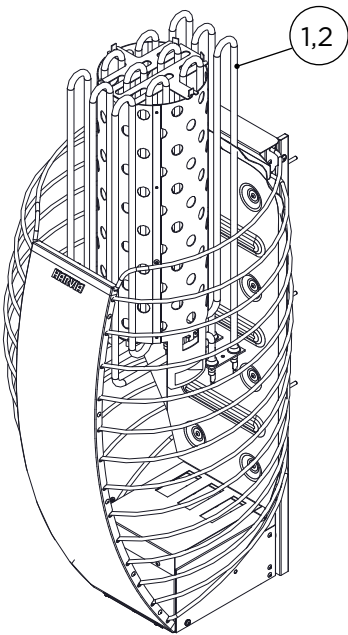
No	Name	Type	Item code
1	Heating element 1500 W/230 V	145, 145E, 245E	SPZSK-690
2	Heating element 2000 W/230 V	160, 160E, 260E	SPZSK-700
3	Heating element 2670 W/230 V	180, 180E, 280E	SPZSK-710
4	Heating element 3000 W/230 V	190, 190E, 290E	SPZSK-720
5	Timer	145-190	SPZSK-510
6	Thermostat	145-190	SPZSK-520



Spirit SP60E 6,0 kW / SP90E 9,0 kW

Itm.Nr. HSPE604M, HSPE904M, HSP604MXW, HSP904MXW

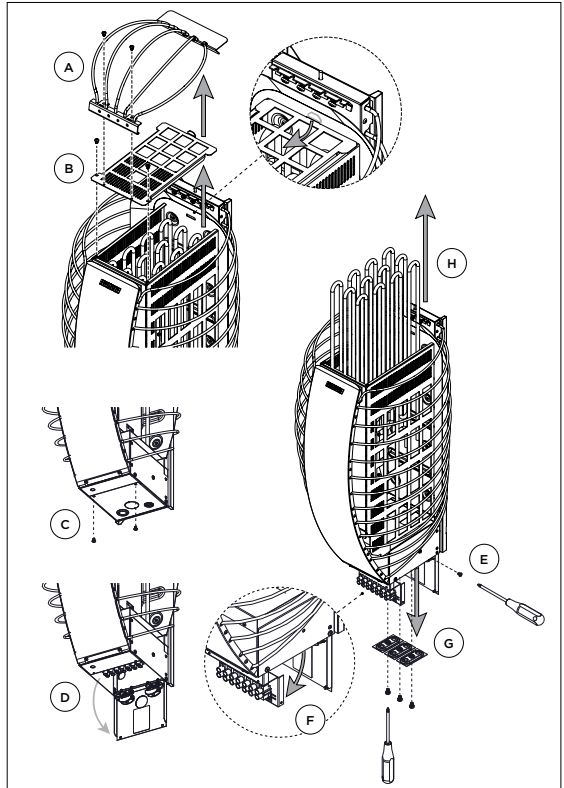
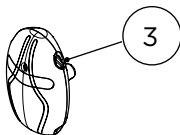
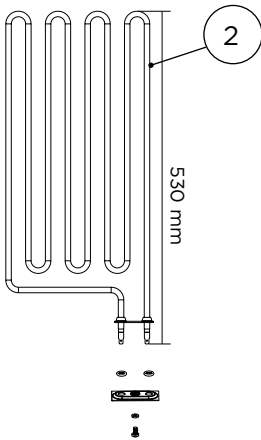
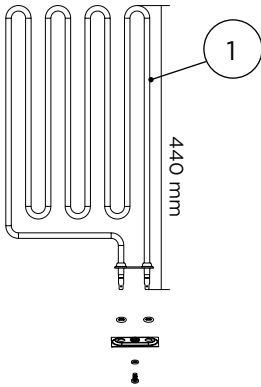
No	Name	Type	Item code
1	Heater element 2000 W	SP60E, SP60XW	SPY10-0015
2	Heater element 3000 W	SP90E, SP90XW	SPZCU-830
3	Temperature sensor 125 °C		SP248



Spirit SP60E 6,0 kW 200V Japan / SP90E 9,0 kW 200 V JAPAN

Itm.Nr. HSPE602M, HSPE902M

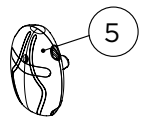
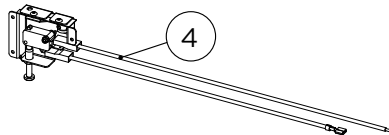
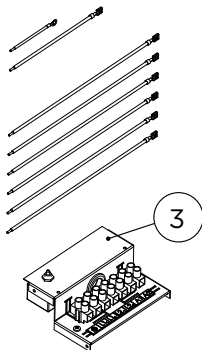
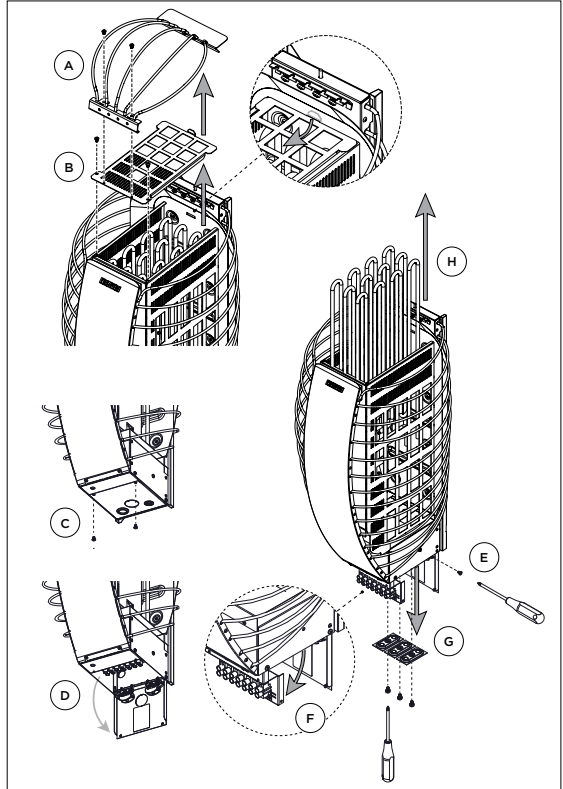
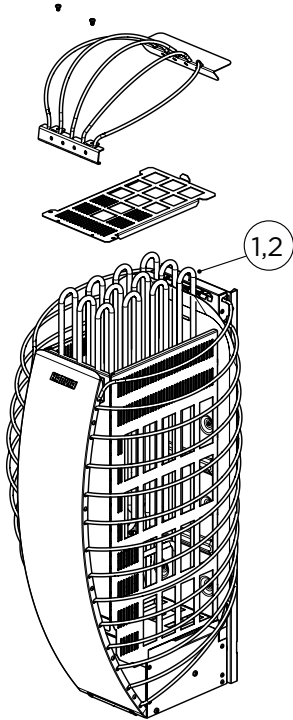
No	Name	Item code
1	Heater element 2000 W	SPY10-0025I
2	Heater element 3000 W	SPY10-0026I
3	Temperature sensor 125 °C	SP248



Spirit SP60E 6.0 240V 1ph / SP80E 240V 1ph

Itm.nr. HSPE60U1M, HSPE80U1M

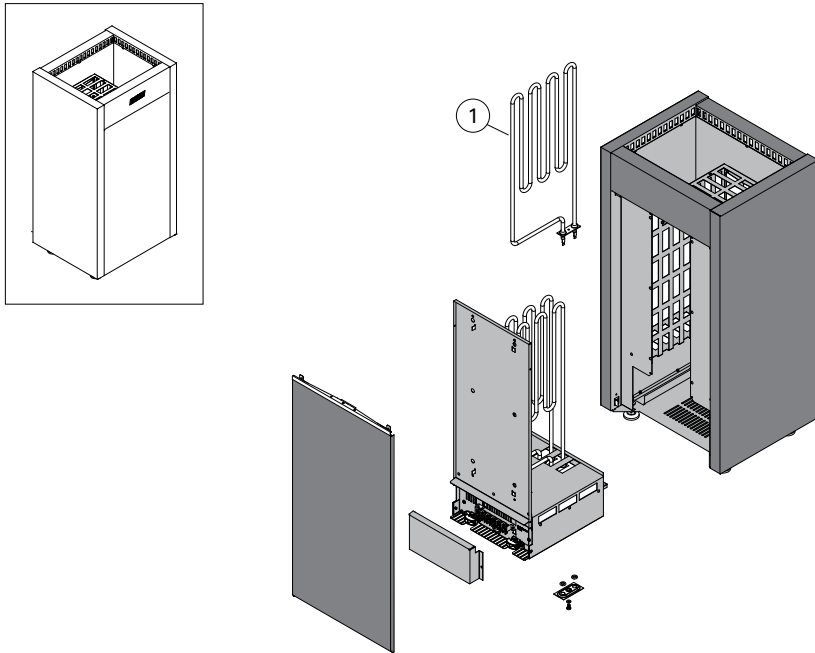
No	Name	Item code
1	Heater element 2650 W / 240 V	SPY10-0020
2	Heater element 2000 W / 240 V	SPY10-0021
3	Electric set 240V	SPZHK-018
4	Safety device switch set	SPZHK-036
5	Temperature sensor 125 °C	SP248



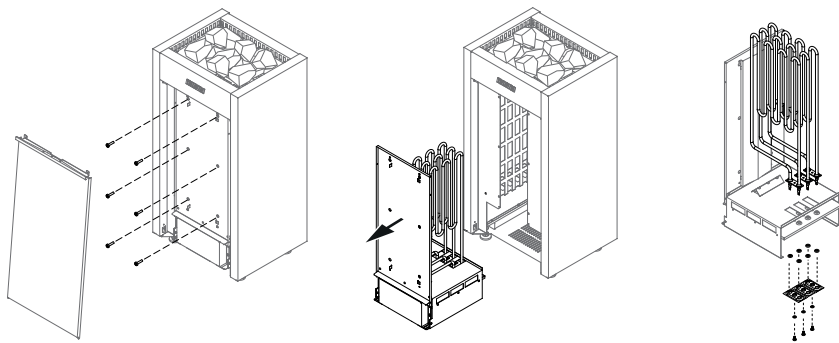
Virta HL70 6,8 kW / HL90 9,0 kW / HL110 10,8 kW

Itm.Nr. HL700400, HL900400, HL110400

No.	Name	Type	Item code
1	Heating element 2260W 230V	HL70	SPZCU-823
1	Heating element 3000W 230V	HL90	SPZCU-830
1	Heating element 3600W 230V	HL110	SPZCU-836



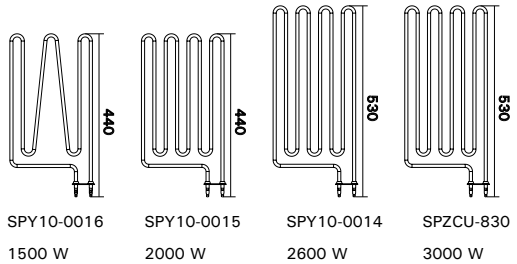
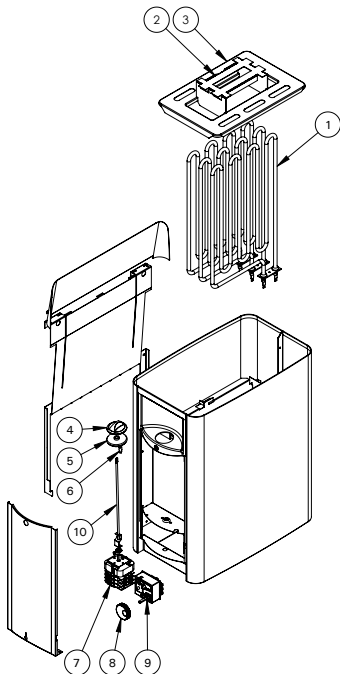
Replacing the heating elements



The Wall SW45(E) 4.5 kW / SW60(E) 6,0 kW / SW90(E) 9.0 kW

ltn.Nr. HSWE450400, HSWE450400M, HSWE600400, HSWE600400M, HSWE900400, HSWE900400M, HSW450400, HSW450400M, HSW600400, HSW600400M, HSW800400, HSW800400M

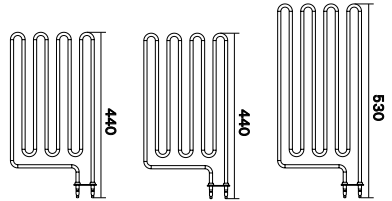
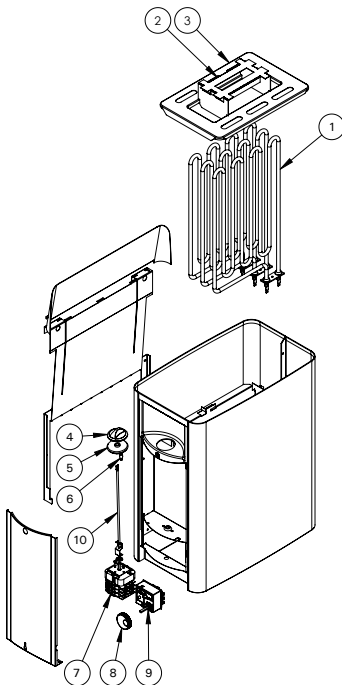
No.	Name	Type	Item code
1	Heater element 1500 W	SW45/-E	SPY10-0016
1	Heater element 2000 W	SW60/-E	SPY10-0015
1	Heater element 2600 W	SW80	SPY10-0014
1	Heater element 3000 W	SW90	SPZCU-830
2	Heating element support		SPZWA-007
3	Grid	SW	SPZWA-023
3	Grid	SW E	SPZWA-077
4	Knob for timer		SPZWA-011
5	Lead through rubber		SPZWA-022
6	Signal lamps		SPZWA-061
7	Timer + axel lock		SP641
8	Knob for thermostat		SPZWA-021
9	Thermostate/overheating limiter		SPZSK-520
10	Axel	SW45/SW60	SPZWA-041
10	Axel	SW80/SW90	SPZWA-016



The Wall SW45(E) 4,5 kW 200V Japan / SW60(E) 6.0 kW 200V Japan / SW90(E) 9.0 kW 200V Japan

Itm.Nr. HSW452M, HSWE452M, HSW602M, HSWE602M. HSW902M, HSWE902M

No.	Name	Type	Item code
1	Heater element 1500 W	SW45/-E	SPY10-0015
1	Heater element 2000 W	SW60/-E	SPY10-0025I
1	Heater element 3000 W	SW90/-E	SPY10-0026I
2	Heating element support		SPZWA-007
3	Grid	SW	SPZWA-023
3	Grid	SW E	SPZWA-077
4	Knob for timer		SPZWA-011-4
5	Lead through rubber		SPZWA-022
6	Signal lamps		SPZWA-061
7	Timer (4h)		SPZSK-510-4
8	Knob for thermostat		SPZWA-021
9	Thermostat		SPZSK-520
10	Axel	SW45/SW60	SPZWA-041
10	Axel	SW90	SPZWA-016

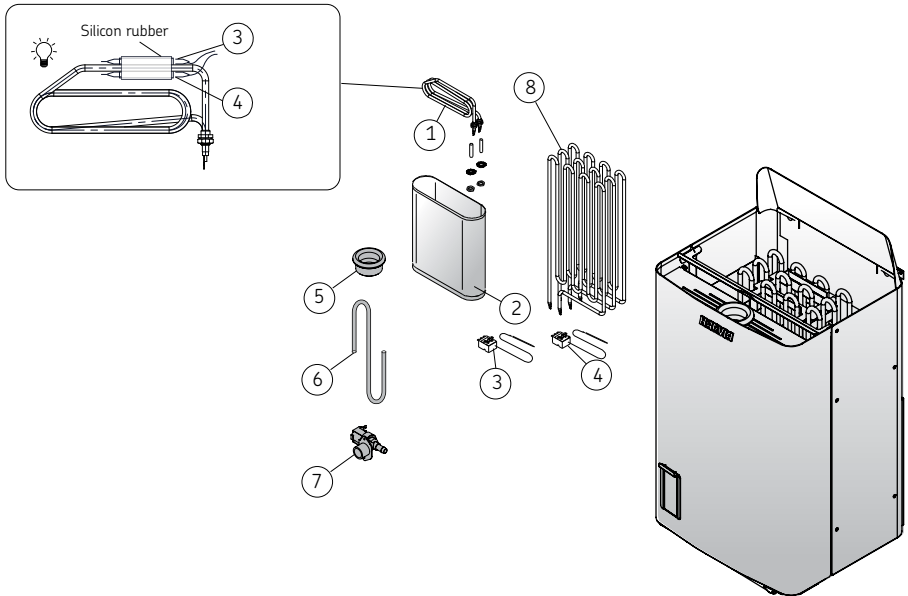


SPY10-0015 SPY10-0025I SPY10-0026I
1500 W 2000 W 3000 W

The Wall Combi SW45S(A) 4,5 kW / SW70S(A) 7,0 kW / SW90S(A) 9,0 kW

Itm.Nr. HSW450400SA, HSW700400SA, HSW900400SA, HSW900400S, HSW450400S, HSW700400S

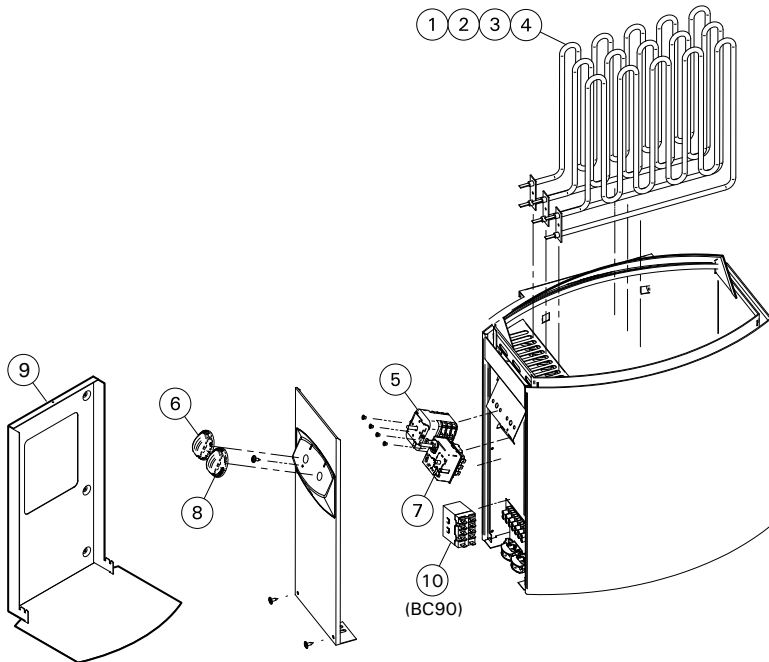
No.	Name	Type	Item code	pcs
1	Heating element, steam 2000 W / 230 V		SPZH-104	
2	Water reservoir		SPZSC-115	
3	Thermostat 110 °C		SPZSN-250	
4	Overheating limiter switch, Combi heaters		SPZSK-764	
5	Soapstone cup		SPZSS-505	
6	Silicone hose		SPZH-175	
7	Solenoid valve		SPZSS-610	
8	Heater element 2260 W / 230 V	SW45S/SA	SPZCU-823	2
	Heater element 2260 W / 230 V	SW70S/SA	SPZCU-823	3
	Heater element 3000 W / 230 V	SW90S/SA	SPZCU-830	3



Vega BC45(E) 4,5 kW / BC60(E) 6,0 kW / BC90(E) 9.0 kW

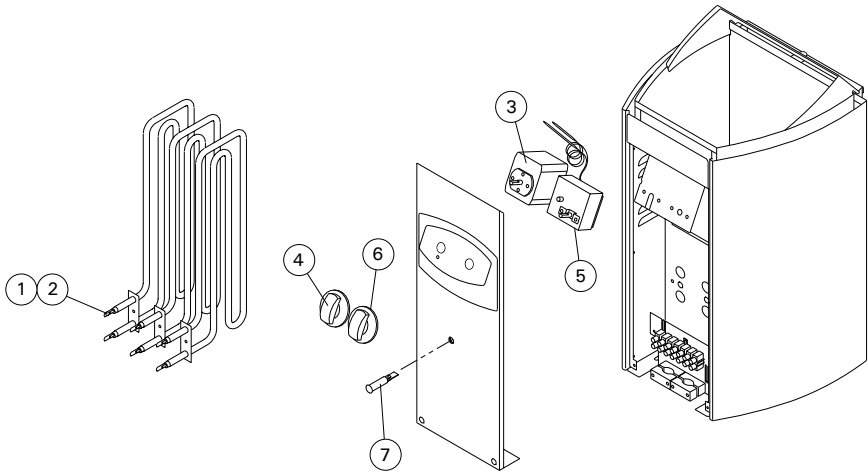
Itm.Nr. HCB450400S, HCB600400S, HCB800400S, HCB900400S, HCBE450400S, HCBE600400S, HCBE800400S, HCBE900400S

No.	Name	Type	Item code
1	Heating element 1500 W / 230 V		SPZSB-224
2	Heating element 2000 W / 230 V		SPZSB-226
3	Heating element 2670 W / 230 V		SPZSB-228
4	Heating element 3000 W / 230 V		SPZSB-229
5	Timer		SPZSK-510
6	Timer knob, black		SPZSB-125
7	Thermostat overheating limiter switch		SPZSK-520
8	Thermostat knob, black		SPZSB-115
9	Vega wall mount		SPZSB-200
10	Contactor 1/3-phase	BC90	SP225



Vega Compact BC23(E) 2.3 kW / BC35(E) 3.5 kW**Itm.Nr. HCB230400S, HCB350400S, HCBE230400S, HCBE350400S**

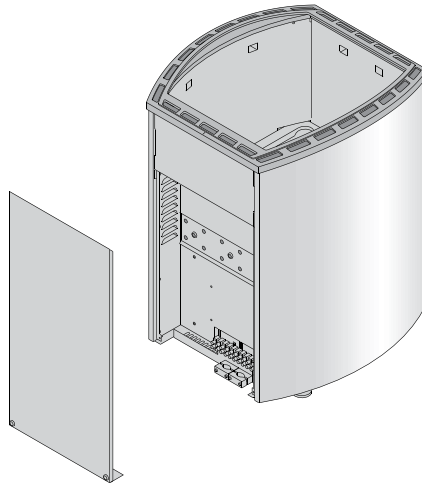
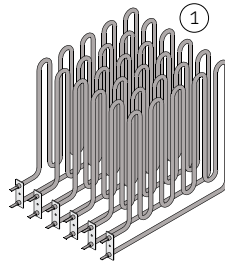
No.	Name	Type	Item code	pcs
1	Heating element 1150 W / 230 V	BC23/E	SPZSB-770	2
2	Heating element 1150 W / 230 V	BC35/E	SPZSB-770	3
3	Timer		SPZSK-510	
4	Timer knob, black		SPZSB-125	
5	Thermostat overheating limiter switch		SPZSK-520	
6	Thermostat knob, black		SPZSB-115	
7	Pilot light		SPZSI-240	



Vega Pro BC105 10.5 kW / BC135 13.5 kW / BC165 16.5 kW

Itm.Nr. HCB105400S, HCB135400S, HCB165400S

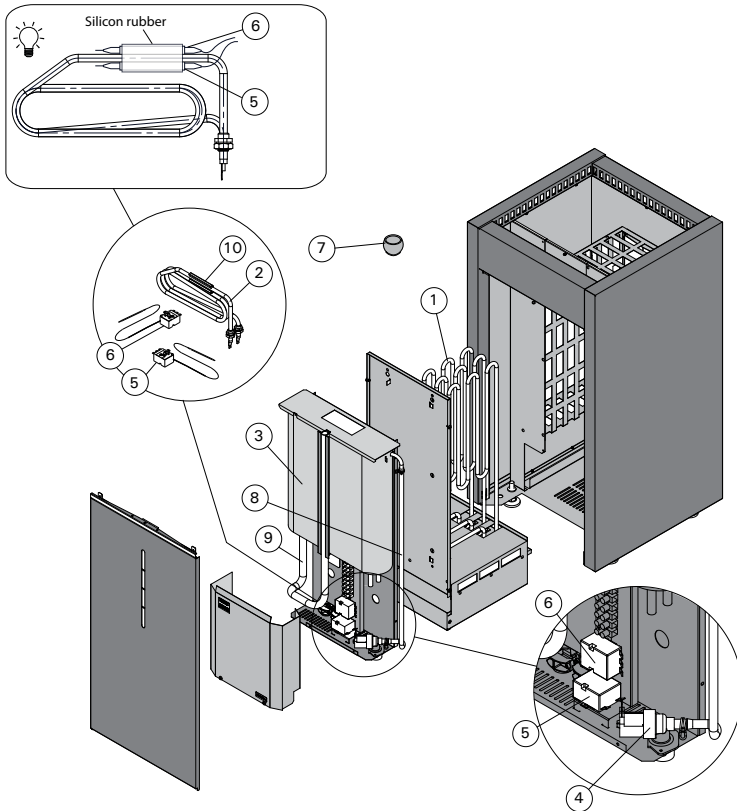
No.	Name	Type	Item code	pcs
1	Heating element 1750 W / 230 V	BC105	SPZSB-461	6
	Heating element 1750 W / 230 V	BC135	SPZSB-461	3
	Heating element 2750 W / 230 V		SPZSB-462	3
	Heating element 2750 W / 230 V	BC165	SPZSB-462	6



Virta Combi HL70S(A) 7 kW / HL90S(A) 9 kW / HL110S(A) 11 kW

Itm.Nr. HL700400S, HL900400S, HL110400S, HL700400SA, HL900400SA, HL110400SA

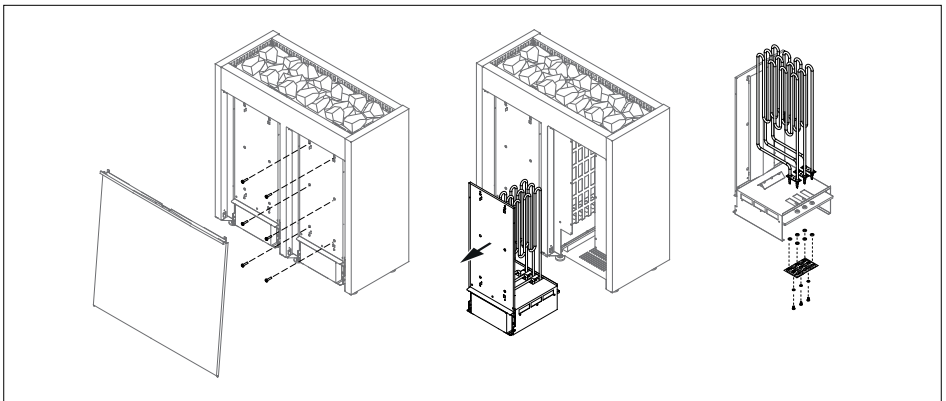
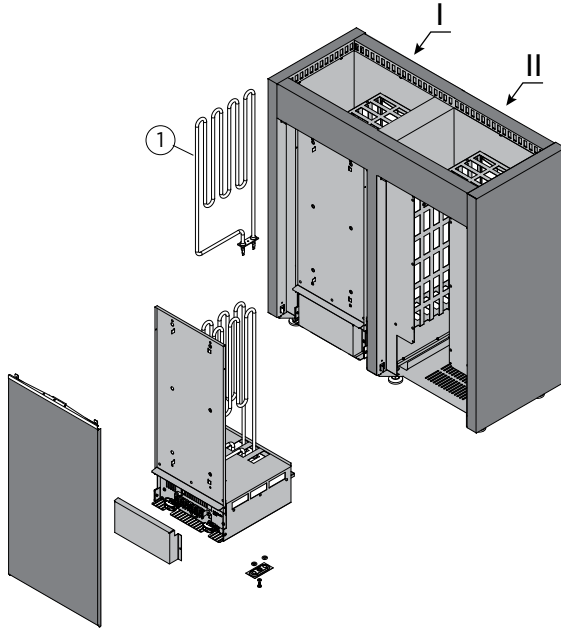
No.	Name	Type	Item code
1	Heater element 2260 W / 230 V	HL70S(A)	SPZCU-823
1	Heater element 3000 W / 230 V	HL90S(A)	SPZCU-830
1	Heater element 3600 W / 230 V	HL110S(A)	SPZCU-836
2	Evaporator heating element, assembled 2000 W / 230 V		SPZH-104
3	Water tank		SPZCU-115
4	Solenoid valve	HL70SA, HL90SA, HL110SA	SPZSS-610
5	Overheating limiter switch		SPZSK-764
6	Thermostat 110°C		SPZSN-250
7	Soapstone cup		SPZH-205
8	Silicone hose 7/10		SPZCU-350
9	Silicone hose 12/16		SPZCU-352
10	Bracket for thermostat		SPZH-128



Virta Pro HL135 13.5 kW / HL160 15.8 kW / HL220 21.6 kW

Itm.Nr. HL135400, HL135400X, HL160400, HLS160400, HL160400X, HL220400, HLS220400, HL220400X

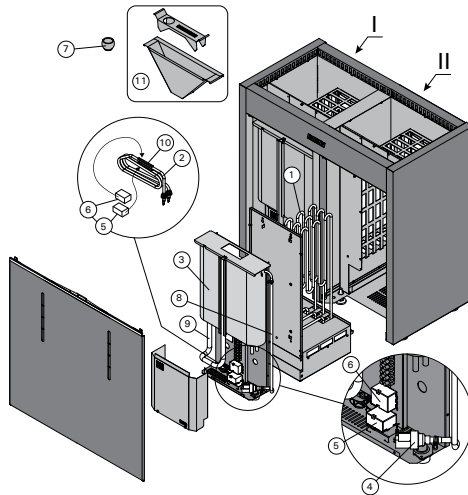
No.	Name	Type	Item code	pcs
1	Heater element 2260 W / 230 V	HL135	SPZCU-823	6
	Heater element 2260 W / 230 V	HL160	SPZCU-823	3
	3000 W / 230 V		SPZCU-830	3
	Heater element 3600 W / 230 V	HL220	SPZCU-836	6



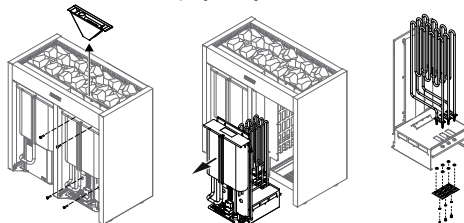
Virta Pro Combi HL135SA 13.5 kW / HL160SA 15.8 kW / HL220SA 21.6 kW

Itm.Nr. HL135400SA, HL160400SA, HL220400SA, HL220400SAX

No.	Name	Type	Item code	pcs I	pcs II
1	Heater element 2260 W / 230 V	HL135SA	SPZCU-823	3	3
	Heater element 2260 W / 230 V	HL160SA	SPZCU-823	3	-
	Heater element 3000 W / 230 V	HL160SA	SPZCU-830	-	3
	Heater element 3600 W / 230 V	HL220SA	SPZCU-836	3	6
2	Heating element 2000 W / 230 V		SPZH-104	1	1
3	Water reservoir, assembled		SPZCU-115	1	1
4	Solenoid valve 230 VAC	HL135SA HL160SA HL220SA	SPZSS-610	1	1
5	Overheating limiter switch, Combi heaters		SPZSK-764	1	1
6	Thermostat 110°C		SPZSN-250	1	1
7	Soapstone cup Ø 46/36		SPZH-205	1	1
8	Silicon hose 7/10		SPZCU-350 / SPZH-170	1	1
9	Silicon hose 12/16		SPZCU-352 / SPZH-175	1	1
10	Bracket for thermostat		SPZH-128	1	1
11	Steam control		SPZCU-614	1	1



Replacing the Heating Elements

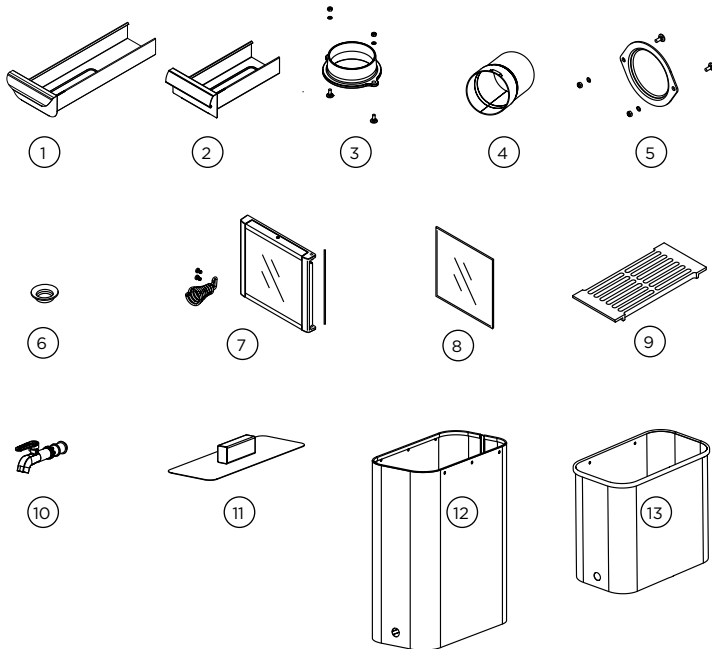


Note! Versions 2024 or later

Pro 20, Pro 20 RS, Pro 20 LS, Pro 20 ES, Pro 26, Pro 36, Linear 22, Linear 28 (Versions 2024 or later)

Itm.Nr. WKPR20M, WKPR20RSM, WKPR20LSM, WKPR20ESM, WKPR26M, WKPR36M, WKLI20M, WKLI26M

No.	Name		Item code
1	Ash box	Pro 20 ES	SP681
2	Ash box	Pro 20/RS/LS, Pro 26, Pro 36, Linear 22, Linear 28	SP682
3	Flue pipe connector		SPZROB-200
4	Connection pipe		SPZKIP-130
5	Blocking plug		SPZROB-190
6	Soot opening stopper		SPZKIP-170
7	Stove door with glass		SP048
8	Glass		SPZTS-36
9	Cast-iron grating		SPZKIP-10
10	Water tap	Pro 20 RS/LS/ES	SPZVS-100
11	Water container lid	Pro 20 RS/LS	SPZROST-619
12	Water container	Pro 20 RS/LS	SP520
13	Water container	Pro 20 ES	SP035

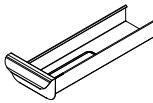


Note! Versions before 2024

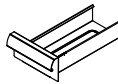
Pro 20, Pro 20 RS, Pro 20 LS, Pro 20 ES, Pro 26, Pro 36 (Versions before 2024)

Itm.Nr. WKP200, WKP200RS, WKP200LS, WKP200ES, WKP260, WKP360

No.	Name		Item code
1	Ash box	Pro 20 ES	SP681
2	Ash box	Pro 20/ 20 RS/ 20 LS / 26 / 36	SP682
3	Connection pipe		SPZKIP-130
4	Cap for smoke hole (Ø115 mm)		SPZKIP-140
4	Stove door with glass		SP048
5	Glass		SPZTS-36
6	Cast-iron grating		SPZKIP-10
7	Water tap	Pro 20 RS/LS/ES	SPZVS-100
8	Water container lid	Pro 20 RS/LS	SPZROST-619
10	Water container	Pro 20 RS/LS	SP520
11	Water container	Pro 20 ES	SP035



1



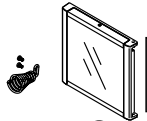
2



3



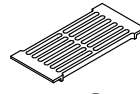
4



5



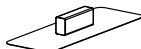
6



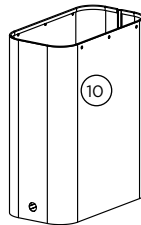
7



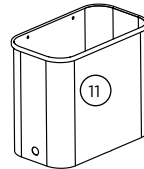
8



9



10



11

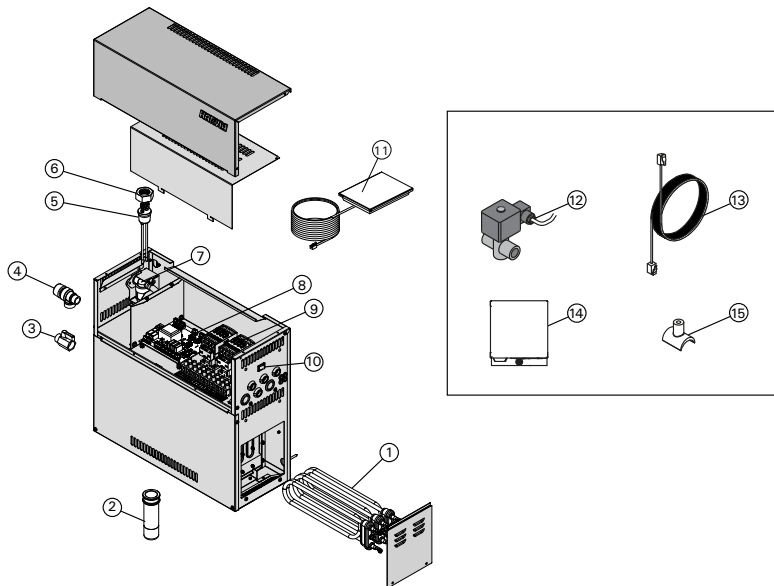
HGD WIFI

Itm.Nr. HGD45XW, HGD60XW, HGD90XW, HGD110XW, HGD150XW

No.	Name	Model	Item code	pcs.
1	Heating element 1500 W/230 V	HGD45XW	SPZG-330T	3
	Heating element 1900 W/230 V	HGD60XW	SPZG-340T	3
	Heating element 3000 W/230 V	HGD90XW	SPZG-350T	3
	Heating element 3600 W/230 V	HGD110XW	SPZG-360T	3
	Heating element 5000 W/230 V	HGD150XW	SPZG-365T	3
2	Sediment cup		SPZSTM-170	1
3	Manual discharge valve		SPZG-575	1
4	Overpressure valve		SPZG-580	1
5	Water level sensor		SPZSG-092	1
6	Nut		SPZSG-014	1
7	Solenoid valve		SPZG-379	1
8	Circuit board		SP645	1
9	Contactors		SPZSK-778	2
10	Main switch		SPZSK-684	1
11	Control panel		SP700	1

Optional parts and devices

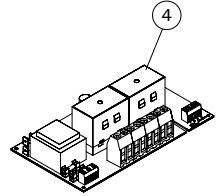
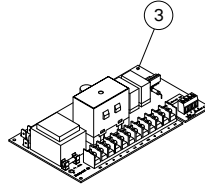
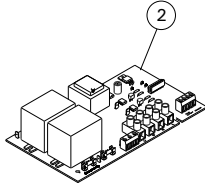
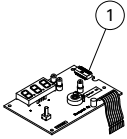
12	Automatic discharge valve	ZG-700
13	Data cable 1.5 m	SP312
	Data cable 10 m	SP315
	Data cable 20 m	SP319
14	Fragrance pump	ZG-900
15	Connection part for fragrance pump	SPZSTM-195



C80, C90, C150

Itm.Nr. C080230, C090400, C150400

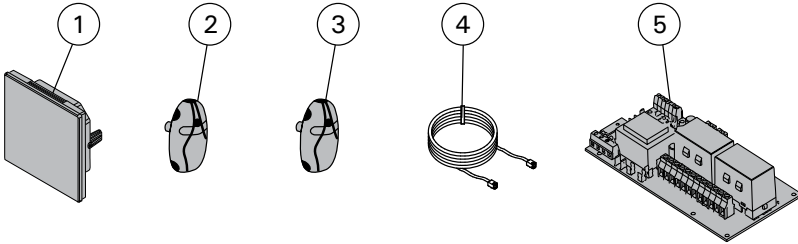
	Name	Model	Item code
1	Display card	C80, C90, C150	WX200
2	Electric power card	C80	WX218
3	Electric power card	C90	WX211
4	Electric power card	C150	WX212



C170VKK

Itm.Nr. C170400VKK

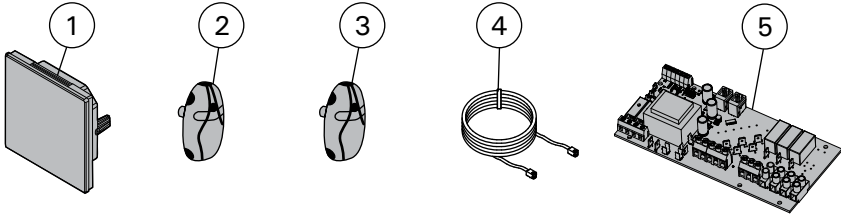
1	Touch screen	SP680
2	Temperature sensor (must be installed)	SP232
3	Temperature sensor (optional)	SP325
4	Data cable	SP679
5	Circuit board (SERNO: 2010000000 →)	SP351



C400VKK

Itm.Nr. C400400VKK

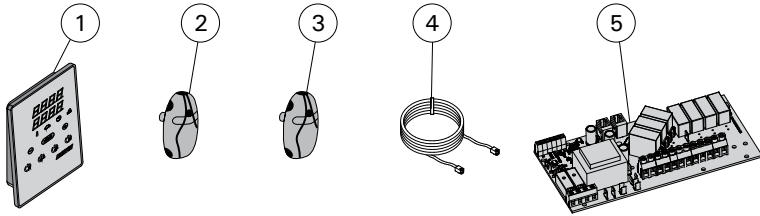
1	Touch screen	SP680
2	Temperature sensor (must be installed)	SP232
3	Temperature sensor (optional)	SP325
4	Data cable	SP679
5	Circuit board	SP358



Xenio Combi CX110CXW WiFi

Itm.Nr. CX1104CXW

1	Control panel Xenio Wifi	SP694
2	Temperature sensor 150°C	SP232
3	Temperature sensor	SP325
4	Data cable 5 m RJ16	SP311
5	Power card	SP356



Xenio CX170

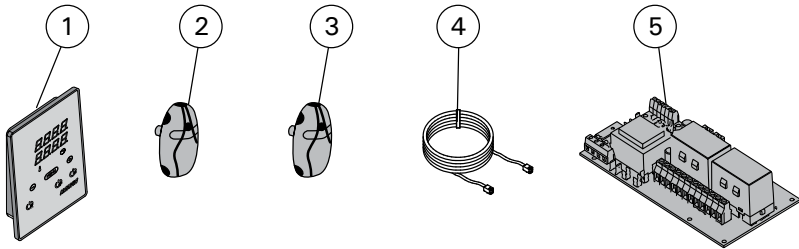
Itm.Nr. CX170400

1	Xenio Control panel	SP380
2	Temperature sensor (150°C)	SP232
3	Temperature sensor (optional)	SP325
4	Data cable (5m)	SP311
5	Circuit board	SP351

Xenio CX170WIFI

Itm.Nr. CX1704XW

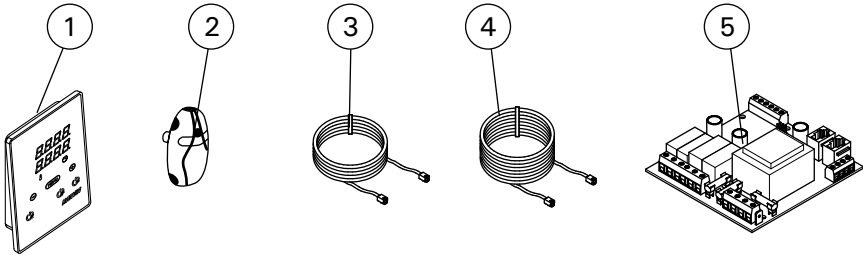
1	Xenio Control panel	SP694
2	Temperature sensor (150°C)	SP232
3	Temperature sensor (optional)	SP325
4	Data cable (5m)	SP311
5	Circuit board	SP351



Xenio CX45J 200-208 VAC

Itm.Nr. CX45J

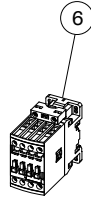
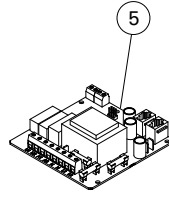
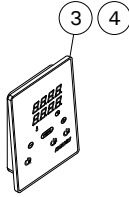
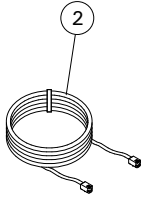
1	Control panel	SP387
2	Temperature sensor	SP232
3	Data cable 5 m	SP311
4	Data cable extension 10 m (optional)	SP313
5	Circuit board	SP361J



Xenio CX180-45, CX180-45XW (max.9-29 kW)

Itm.Nr. CX180-45, CX180-45XW

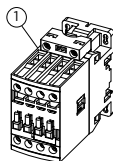
1	Temperature sensor	SP232
2	Data cable 5m	SP311
3	Control panel (WiFi)	SP694
4	Control panel	SP387
5	Circuit board	SP361U
6	Contactors	SPZSL-940



LTY180-45

Itm.Nr. LTY180-45

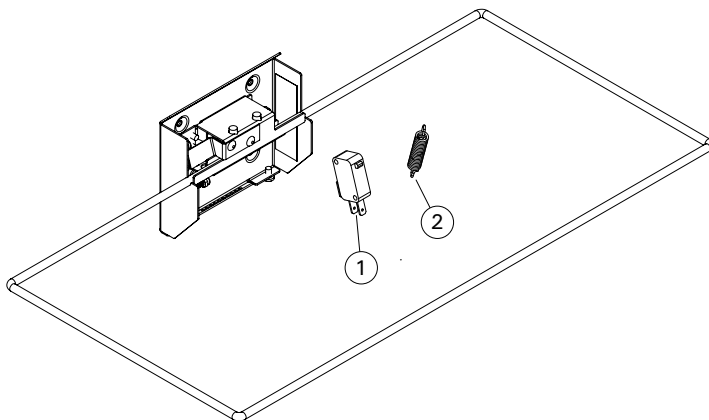
1	Contactors	SPZSL-940
---	------------	-----------



Safety Switch (Control unit accessory)

Itm.Nr. SFE-220400, SFE-350400, SFE-500500, SFE-D350, SFE-D450, SFE-D530

No.	Name	Item code
1	Micro switch	SPY08-0008
2	Spring	SPY06-0023



HARVIA HEATING ELEMENTS COMPATIBILITY

Product	Heating element(s)	pcs	Heating element(s)	pcs
Cilindro				
Cilindro PC66(E)	SPZSC-022	3		
Cilindro PC70(E/H/F/EE/HEE/XE/XW)	SPZRH-720	3		
Cilindro PC90(E/H/F/EE/HEE/XE/XW)	SPZSE-259	3		
Cilindro PC110(E/EE/HEE//XE/XW)	SPZSC-360	3		
Cilindro Plus				
Cilindro Plus PP70(E/SP)	SPZRH-720	3		
Cilindro Plus PP90(E/SP)	SPZSE-259	3		
Cilindro Pro				
Cilindro Pro PC100E/135E	SPZSC-022	6		
Cilindro Pro PC165E/200E	SPZSC-022	9		
Club				
Club K9 (old)	ZSL-310	3	ZSL-313	3
Club K10,5 (old)	ZSL-313	6		
Club K12 (old)	ZSL-313	3	ZSL-316	3
Club K15 (old)	ZSL-316	6		
Club K11G	SPZSP-240	3	SPZSS-110	3
Club K13,5G	SPZSP-250	3	SPZSS-120	3
Club K15G	SPZSP-250	6		
Club Japan				
Club K12G	SPZSP-250I	6		
Club K15G	SPZSP-255I	6		
Club Combi				
Club Combi K11GS-K15GS	SPZH-104: 1	1		
Club Pro / Profi				
Profi L20	ZSK-732	6		
Profi L23	ZSL-310	6	ZSL-314	6
Profi L26	ZSL-313	6	ZSL-314	6
Profi L30	ZSL-314	12		
Profi L33	ZSL-318	12		
Club Pro Japan				
Club Pro L33	ZSK-745I	12		
Compact JM				
Compact JM20(E)	SPZSJ-100	2		
Compact JM25(E)	SPZSJ-100	1	SPZSJ-110	1
Compact JM30(E)	SPZSJ-110	2		
Delta				
Delta D23(E, EE, XE, XW)	SPZSN-150	2		
Delta D29(EE)	SPZSN-150	1	SPZSN-160	1
Delta D36(E, EE, XE, XW)	SPZSN-160	2		
Delta Japan				
Delta D36	SPZSN-160	2		
Delta Combi				
D29SE	SPZSN-210	1	SPZH-104	1

Product	Heating element(s)	pcs	Heating element(s)	pcs
Figaro				
Figaro FG70(E)/Quatro QR70	SPZRH-720	3		
Figaro FG90(E)/Quatro QR90	SPZSE-259	3		
Fuga				
Fuga FU90(E)	SPZSE-259	3		
Forte				
Forte AF4 / AFB4	SPZSF-20U	3		
Forte AF6 / AFB6	SPZSF-30	3		
Forte AF9 / AFB9	SPZSF-50	3		
Globe				
Globe GL70/E	SPZVO-201	3		
Globe GL110/E	SPZVO-200	3		
Glow / Glow Corner				
Glow TRT70 / TRC70 / TRT70E / TRC70E	SPZRH-720	3		
Glow TRT90 / TRC90 / TRT90E / TRC90E	SPZSE-259	3		
KIP / Sähköri				
KIP/KV30(E)	SPZSK-690	2		
KIP/KV/M45/V45E	SPZSK-690	3		
KIP/KV/M60/V60E/CS60	SPZSK-700	3		
KIP/KV/M80/V80E/CS80	SPZSK-710	3		
KIP/M90E	SPZSK-720	3		
KIP US/CA				
KIP30(B/W) 240VAC	ZSK-725	3		
KIP45(B/W) 240VAC	ZSL-310	3		
KIP60(B/W) 240VAC	ZSL-313	3		
KIP80(B/W) 240VAC	ZSL-316I	3		
KIP30(B/W) 208VAC				
KIP45(B/W) 208VAC	ZSK-738	3		
KIP60(B/W) 208VAC	ZSK-742	3		
KIP80(B/W) 208VAC	ZSK-745I	3		
KIP JP				
KIP60E	ZSK-742I	3		
KIP80E	ZSK-745I	3		
Kivi				
Kivi PI70(E)	SPZRH-247	3		
Kivi PI90(E)	SPZRH-249	3		
Legend				
Legend PO70(E)/XE/XW	SPZRH-720	3		
Legend PO110(E)/XE/XW	SPZSC-360	3		
Legend Pro				
Legend PO11	SPZSP-240	3	SPZSS-110	3
Legend PO165	SPZSP-250	3	SPZSP-255	3
Modulo				
Modulo 135	SPZCU-823	6		
Modulo 160	SPZCU-823	3	SPZCU-830	3
Modulo 180	SPZCU-830	6		

Product	Heating element(s)	pcs	Heating element(s)	pcs
Modulo Alto				
Modulo Alto MDA165/200	SPZSC-022	9		
Spirit				
Spirit HSP60(E)	SPY10-0015	3		
Spirit HSP90(E)	SPZCU-830	3		
The Wall				
The Wall SW45/E	SPY10-0016	3		
The Wall SW60/E	SPY10-0015	3		
The Wall SW80/E	SPY10-0014	3		
The Wall SW90/E	SPZCU-830	3		
The Wall Combi				
The Wall Combi SW45S/SA	SPZCU-823	2	SPZH-104	1
The Wall Combi SW70S/SA	SPZCU-823	3	SPZH-104	1
The Wall Combi SW90S/SA	SPZCU-830	3	SPZH-104	1
Topclass Combi				
Topclass Combi KV50SE(A)	SPZSK-690	3	SPZH-104	1
Topclass Combi KV60SE(A)	SPZSK-700	3	SPZH-104	1
Topclass Combi KV80SE(A)	SPZSK-710	3	SPZH-104	1
Topclass Combi KV90SE(A)	SPZSK-720	3	SPZH-104	1
Unio				
Unio HNK360(E,EE)	SPZSC-360	1		
Vega Compact				
Vega Compact BC23(E)	SPZSB-770	2		
Vega Compact BC35(E)	SPZSB-770	3		
Vega				
Vega BC45(E)	SPZSB-224	3		
Vega BC60(E)	SPZSB-226	3		
Vega BC80(E)	SPZSB-228	3		
Vega BC90(E)	SPZSB-229	3		
Vega Compact				
Vega Combi BC60SE(A)	SPZSB-226	3	SPZSB-571	1
Vega Combi BC90SE(A)	SPZSB-229	3	SPZSB-571	1
Vega Pro				
Vega Pro BC105	SPZSB-461	6		
Vega Pro BC135	SPZSB-461	3	SPZSB-462	3
Vega Pro BC165	SPZSB-462	6		
Virta				
Virta HL70	SPZCU-823	3		
Virta HL90	SPZCU-830	3		
Virta HL110	SPZCU-836	3		
Virta Combi				
Virta Combi HL70S (A)	SPZCU-823	3	SPZH-104	1
Virta Combi HL90S (A)	SPZCU-830	3	SPZH-104	1
Virta Combi HL110S (A)	SPZCU-836	3	SPZH-104	1

Product	Heating element(s)	pcs	Heating element(s)	pcs
Virta Pro				
Virta Pro HL135/steel	SPZCU-823	6		
Virta Pro HL160/steel	SPZCU-823	3	SPZCU-830	3
Virta Pro HL220/steel	SPZCU-836	6		
Virta Pro Combi				
Virta Pro Combi HL135SA/steel	SPZCU-823	6	SPZH-104	2
Virta Pro Combi, HL160SA/steel	SPZCU-823 SPZH-104	3 2	SPZCU-830	3
Virta Pro Combi HL220SA/steel	SPZCU-836	6	SPZH-104	2
Qube				
Qube 9 kW	SPSEN-002	6		
Qube 12 kW	SPSEN-002	3	SPSEN-003	3
Qube 15 kW	SPSEN-002	6	SPSEN-003	
Qube Pro 24 kW	SPSEN-003	12		
Qube Pro 36 kW	SPSEN-012	18		
Home				
HOME-F45	SPSEN-006	3		
HOME-F60	SPSEN-007	3		
HOME-F75	SPSEN-008	3		
HOME-F90	SPSEN-009	3		
Home Combi				
HOME-C60	SPSEN-007	3	SPZH-104	1
HOME-C90	SPSEN-009	3	SPZH-104	1

HARVIA WARRANTY TERMS AND CONDITIONS

[Read our warranty terms and conditions > here](#)